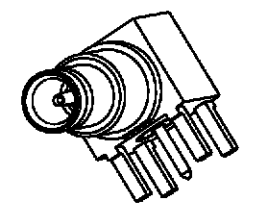
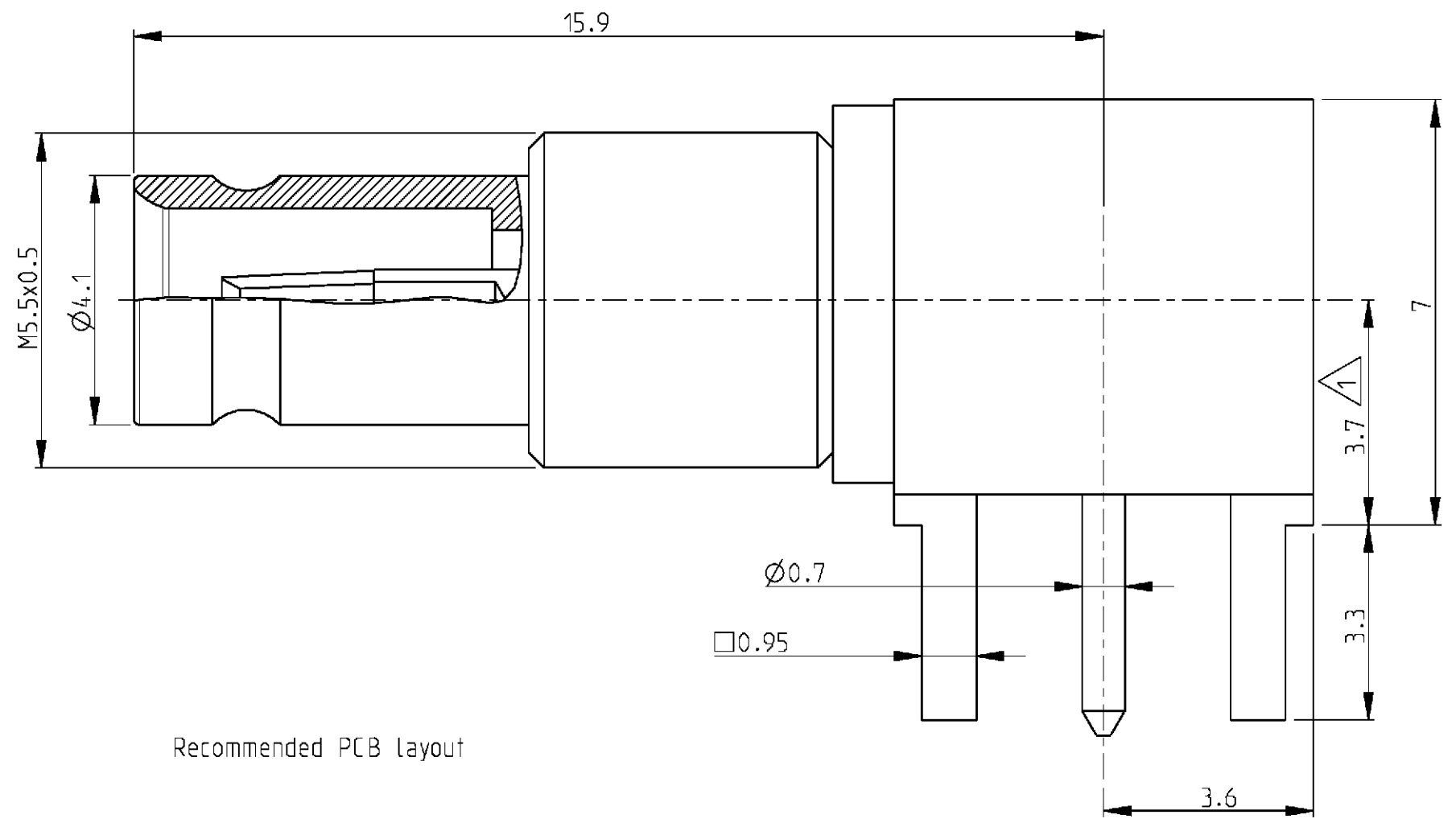


THIS DRAWING IS UNPUBLISHED. RELEASED FOR PUBLICATION 2000
 © COPYRIGHT 2000 BY TYCO ELECTRONICS CORPORATION. ALL RIGHTS RESERVED.

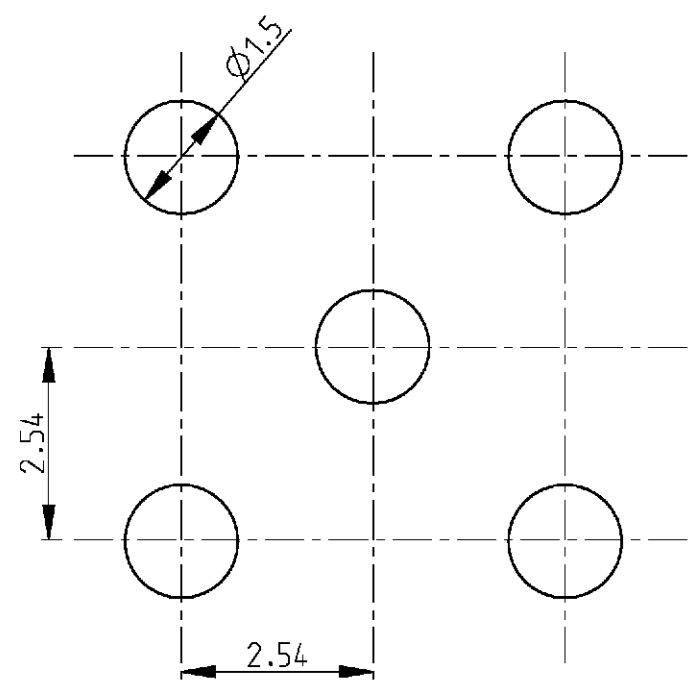
LOC	DIST	REVISIONS				
P	LTR	DESCRIPTION	DATE	DWN	APVD	
GW	-	A	-	5APR2001	CM	KM



2:1

B-B

Recommended PCB layout



- 2. Mating face according to DIN 47297 and CECC 22230
- △ Installation dimension
- All dimensions are max dimensions unless otherwise specified

Old Nr	Tyco Nr	Description	Material	Plating
V23600-A1227-G4	4-1393670-0	Body	Brass	4 µm Ag min on solder pins
		Dielectric	PTFE	
		Outer Con.	Brass	1 µm Au min in contact area
		Center Con.	Cu Be	1 µm Au min in contact area

<small>THIS DRAWING IS A CONTROLLED DOCUMENT FOR TYCO ELECTRONICS CORPORATION. IT IS SUBJECT TO CHANGE AND THE CONTROLLING ENGINEERING ORGANIZATION SHOULD BE CONTACTED FOR THE LATEST REVISION.</small>		DWN MOROBE 02APR2001 CHK MATTHEEUWS 3APR2001 APVD BOZZER 5APR2001		tyco Tyco Electronics Electronics Oostkamp - Belgium	
DIMENSIONS: mm 		TOLERANCES UNLESS OTHERWISE SPECIFIED: 0 PLC ± 1 PLC ±0.5 2 PLC ±0.13 3 PLC ±0.013 4 PLC ±0.0001 ANGLES ±		NAME BULKHEAD ANGLE JACK WITH PCB CONNECTION 1.0/2.3 50 Ohm	
MATERIAL - FINISH -		PRODUCT SPEC 108-71032 APPLICATION SPEC - WEIGHT -		SIZE A3 CAGE CODE 00779 DRAWING NO C-4-1393670-0 RESTRICTED TO -	
		SCALE 10/1 SHEET 1 OF 1 REV A			