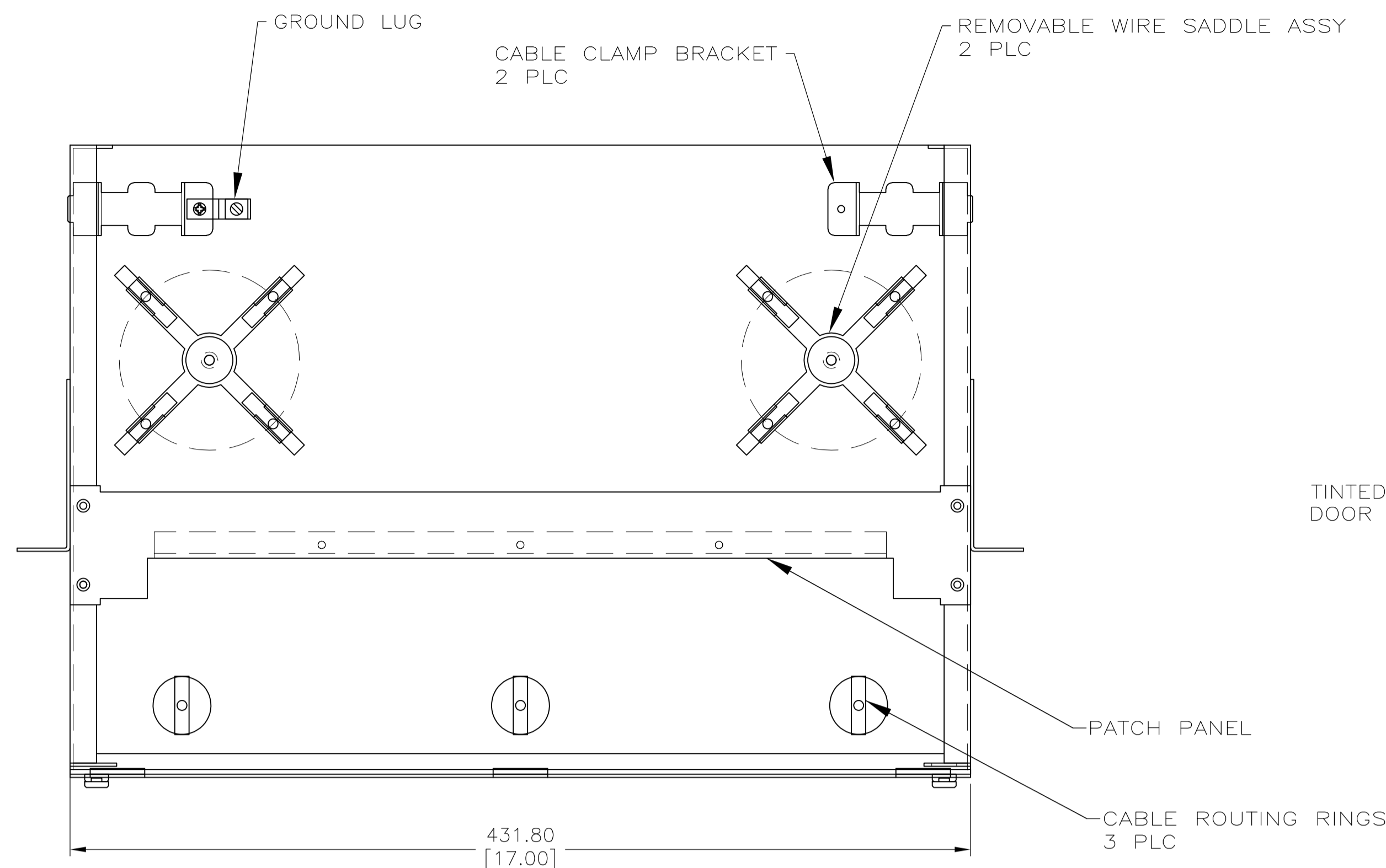
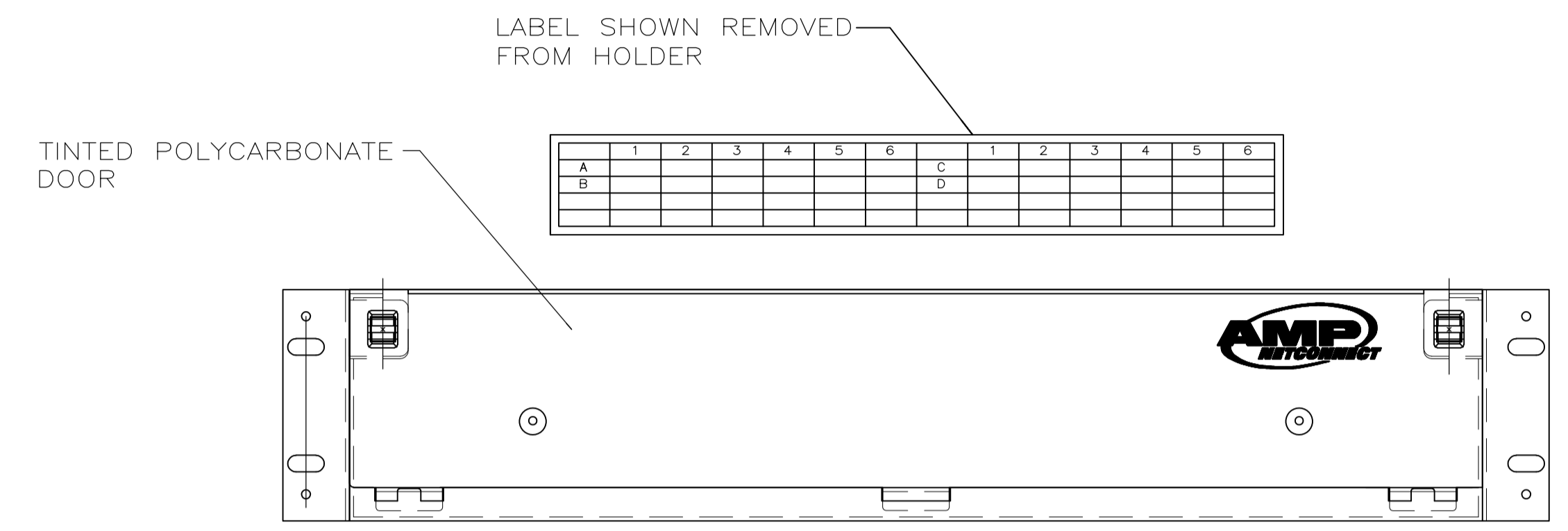


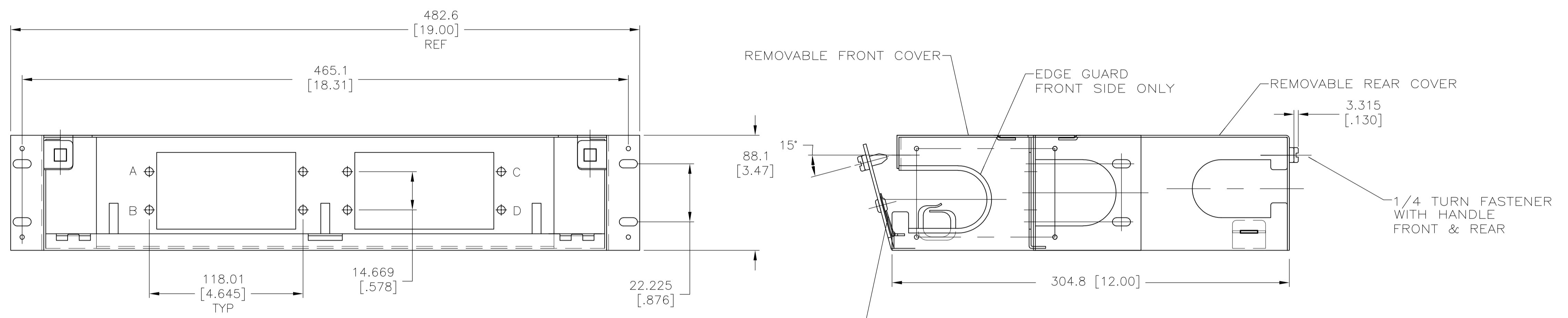
LOC		DIST		REVISIONS			
P	LTR	DESCRIPTION	DATE	DMN	APVD		
G1		REVISED PER ECO-11-005139	25MAR11	RK	HMR		
H		REV ECO-11-009390	09MAY2011	LH	JS		



FRONT & REAR COVERS NOT SHOWN IN THIS VIEW



FRONT VIEW WITH DOOR



FRONT DOOR NOT SHOWN IN THIS VIEW

- FOUR (4) #12-24UNC-2A SCREWS ARE PROVIDED IN BAG INSIDE THE ENCLOSURE
- THE FOLLOWING ITEMS ARE BAGGED AND PLACED IN THE ENCLOSURE:
  - 24-LINE LABEL, QTY. 1
  - WARNING LABEL, QTY. 2
  - QUARTER-TURN FASTENER HANDLE, QTY. 4
  - QUARTER-TURN FASTENER HANDLE INSTALLATION INSTRUCTION SHEET, QTY. 1

	BLACK	559542-2
<b>OBSELETE</b>	LT-ALMOND	559542-1
	FINISH COLOR	PART NO

THIS DRAWING IS A CONTROLLED DOCUMENT.

DIMENSIONS: mm	TOLERANCES UNLESS OTHERWISE SPECIFIED:	DIN WJ SOURBEER 10NOV00	TE Connectivity
0 PLC ± -	1 PLC ± -	CHK J HOFFER 10NOV00	
2 PLC ± 0.05[.03]	3 PLC ± 0.25[.010]	APVD J HOFFER 10NOV00	NAME
4 PLC ANGLES ± - ± -		PRODUCT SPEC	RACK MOUNTED, NERC 24/PORT w/ CABLE BRACKET
MATERIAL 16GAUGE STEEL	FINISH -	APPLICATION SPEC	SIZE CASE CODE DRAWING NO
		WEIGHT -	A1 00779 C=559542
		CUSTOMER DRAWING	RESTRICTED TO
		SCALE 1:2	SHEET 1 OF 1 REV H