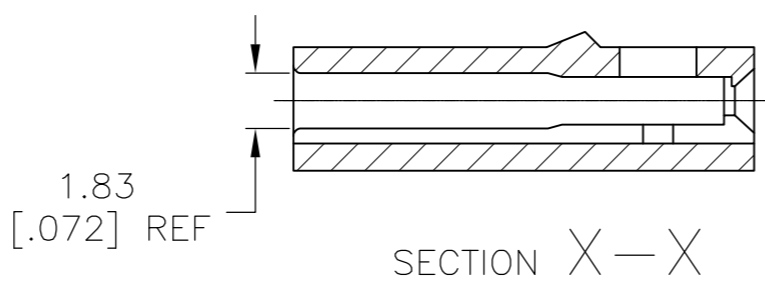
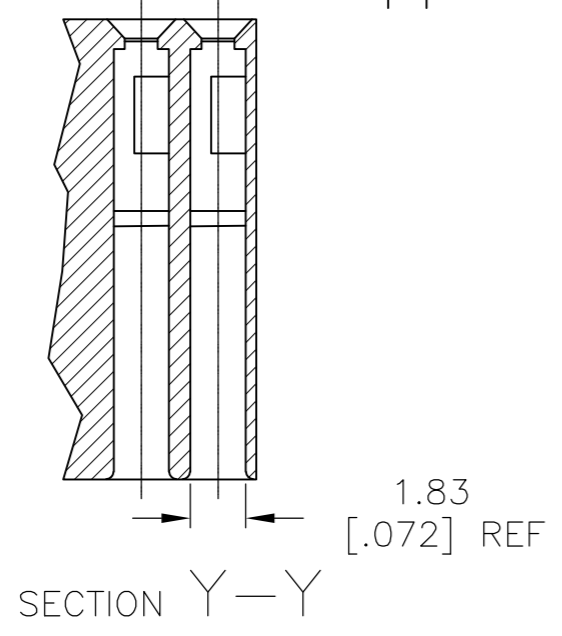
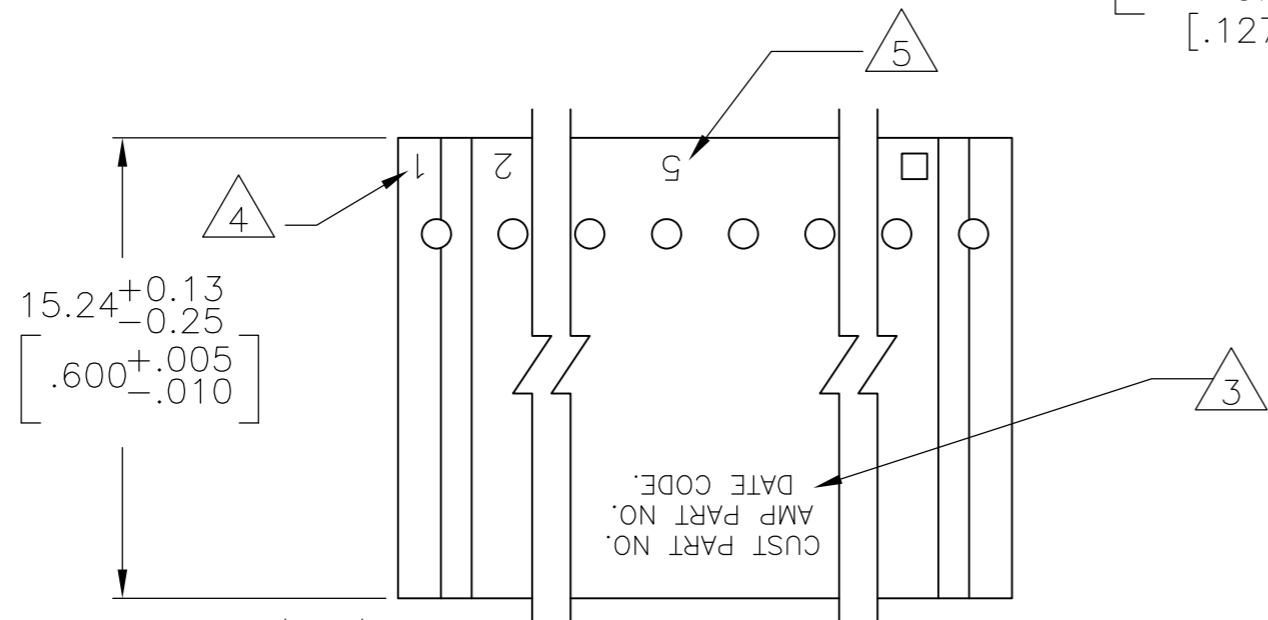
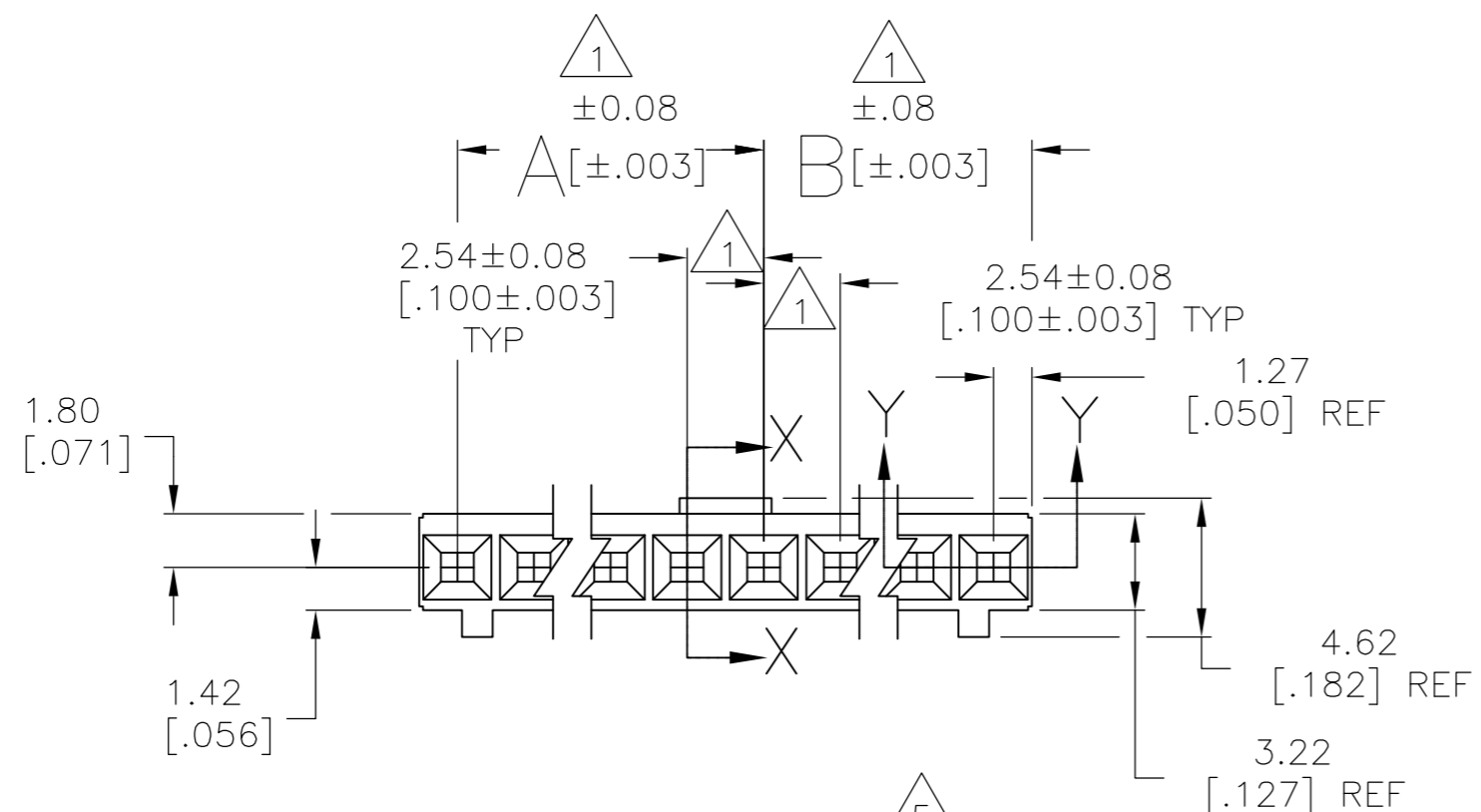
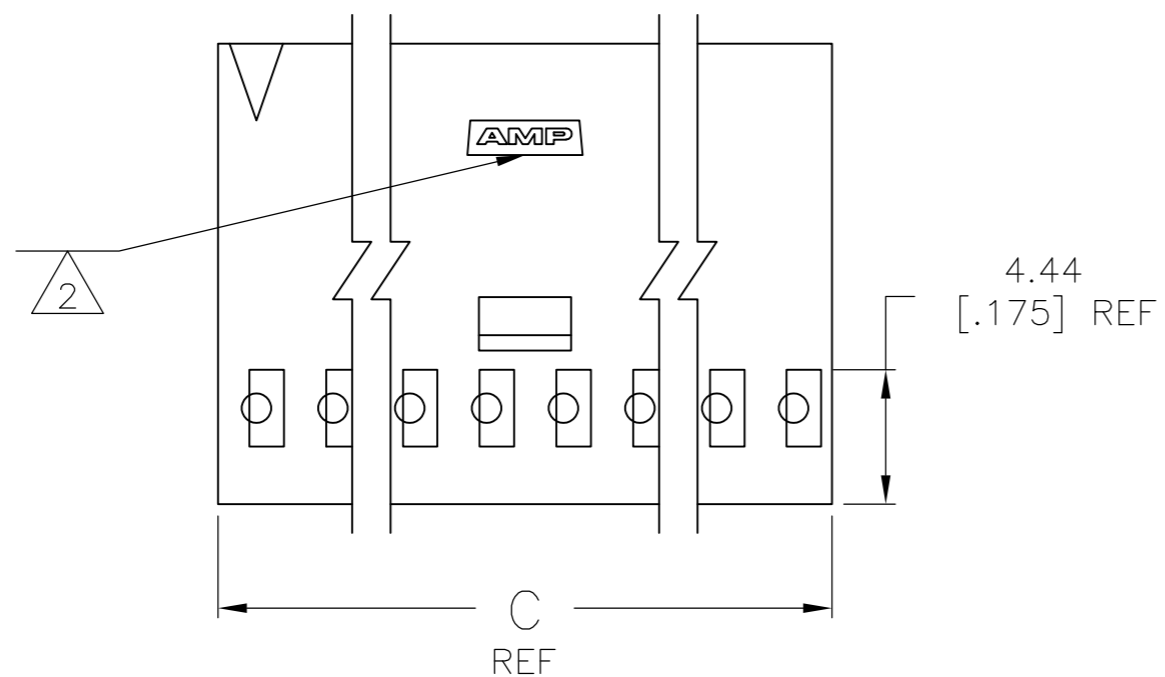


THIS DRAWING IS UNPUBLISHED. RELEASED FOR PUBLICATION  
 © COPYRIGHT BY TYCO ELECTRONICS CORPORATION. ALL RIGHTS RESERVED.

LOC	DIST	REVISIONS					
AD	00	P	LTR	DESCRIPTION	DATE	DWN	APVD
		C1		REV PERECO-10-000443	25NOV09	KK	AEG



- 1 CAVITY LOCATION DIMENSIONS INCREASE IN INCREMENTS OF 2.54[.100] TOLERANCE NON-CUMULATIVE.
- 2 TRADEMARK MOLDED IN RECESSED AREA
- 3 CUSTOMER PART NO., AMP PART NO., AND DATE CODE MARKED (WHITE) 1.58±0.38[.062±.015] HIGH CHARACTERS IN AREA SHOWN, WHEN HOUSING SIZE PERMITS (7 POSN OR LARGER). IF SIZE DOES NOT PERMIT DATE CODE ONLY - MAY BE ROTATED 90° TO FIT.
- 4 CAVITY IDENT MARKED (WHITE) 1.17±0.38 [.046±.015] HIGH CHARACTERS FIRST CAVITY (ONE SIDE) (FOR PART NO. 102267-1 ONLY)
- 5 CAVITY IDENT MARKED (WHITE) 1.17±0.38 [.046±.015] HIGH CHARACTERS SECOND, EVERY FIFTH AND NEXT TO LAST CAVITY (ONE SIDE) (EXCEPT PART NO. 102267-1)
- 6 OBSOLETE PARTS: OBSOLETE CIS STREAMLINING PER D.RENAUD/D.SINISI

6	OBSOLETE	713W31031	25.40 [1.000]	10.16 [.400]	12.70 [.500]	10	102267-3	
		713W30531	12.70 [.500]	5.08 [.200]	5.08 [.200]	5	102267-2	
		713W30331	7.62 [.300]	2.54 [.100]	2.54 [.100]	3	102267-1	
		CUSTOMER PART NO.	C	B	A	NO OF POSN	PART NUMBER	
		OBSOLETE	713W30431	10.16 [.400]	2.54 [.100]	5.08 [.200]	4	102267-9
			-	-	-	-	-	
			-	-	-	-	-	
			-	-	-	-	-	
			-	-	-	-	-	

THIS DRAWING IS A CONTROLLED DOCUMENT.

DWN E.BRANDBERG 28JUN94  
 CHK P. SREMCICH 28JUN94  
 APVD P. SREMCICH 28JUN94

Tyco Electronics Corporation  
 Harrisburg, PA 17105-3608

NAME  
 CONN. HOUSING, CRIMP SNAP - IN,  
 MOD IV, SINGLE ROW, 2.54[.100] CL,  
 W/ POLARIZATION, DETENT AND MARKING

SIZE A2 CAGE CODE 00779 DRAWING NO C=102267 RESTRICTED TO -

MATERIAL FLAME RETARDANT THERMOPLASTIC COLOR - BLACK  
 FINISH

WEIGHT -

CUSTOMER DRAWING SCALE 4:1 SHEET 1 OF 1 REV C1