

4

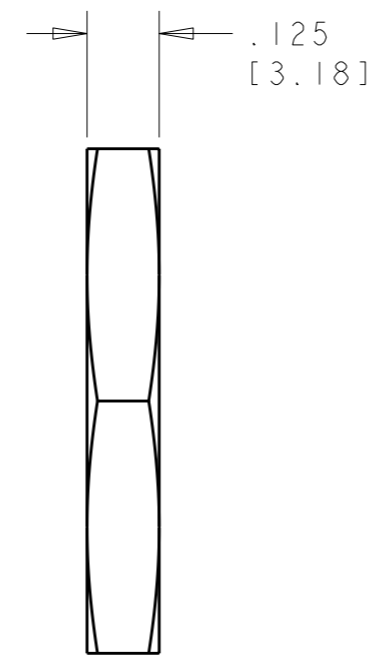
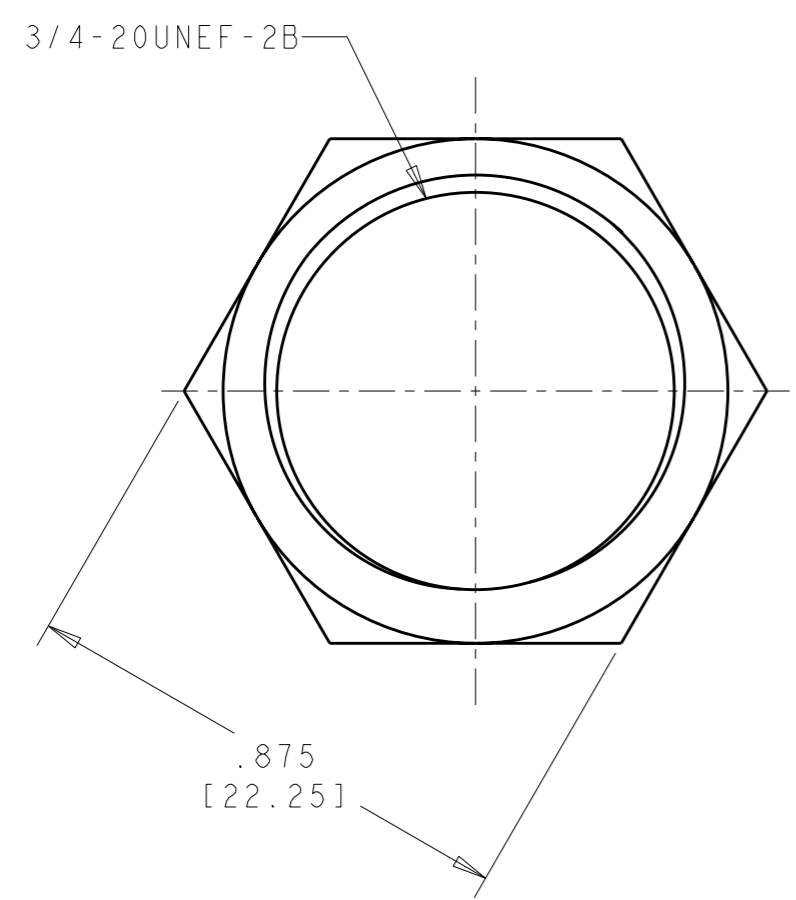
3

2

1

THIS DRAWING IS UNPUBLISHED. RELEASED FOR PUBLICATION 20
 © COPYRIGHT 20 BY TYCO ELECTRONICS CORPORATION. ALL RIGHTS RESERVED.

LOC	DIST	REVISIONS					
FT	0	P	LTR	DESCRIPTION	DATE	DWN	APVD
			A2	REV PER ECR 09-021963	05JAN10	JR	GS



1. BULK PACKAGED IN QTY OF 100.

△2 FINISH: NICKEL OVER COPPER

1445904-1
 PART NUMBER

<small>THIS DRAWING IS A CONTROLLED DOCUMENT FOR TYCO ELECTRONICS CORPORATION IT IS SUBJECT TO CHANGE AND THE CONTROLLING ENGINEERING ORGANIZATION SHOULD BE CONTACTED FOR THE LATEST REVISION.</small>		DWN S. WIEST 17JUN2002 CHK G DOUTY 17JUN2002 APVD H. WAKFFM 18JUL2003		Tyco Electronics Harrisburg, PA 17105-3608	
DIMENSIONS: in [mm]		TOLERANCES UNLESS OTHERWISE SPECIFIED: 0 PLC ±- 1 PLC ±- 2 PLC ±- 3 PLC ±- 4 PLC ±- ANGLES ±-		NAME JAM NUT, MINI CPC	
		MATERIAL BRASS		FINISH - △2	
PRODUCT SPEC -		APPLICATION SPEC -		SIZE A3 CAGE CODE 00779 DRAWING NO C-1445904 RESTRICTED TO -	
WEIGHT -		CUSTOMER DRAWING		SCALE 3:1 SHEET 1 OF 1 REV A2	