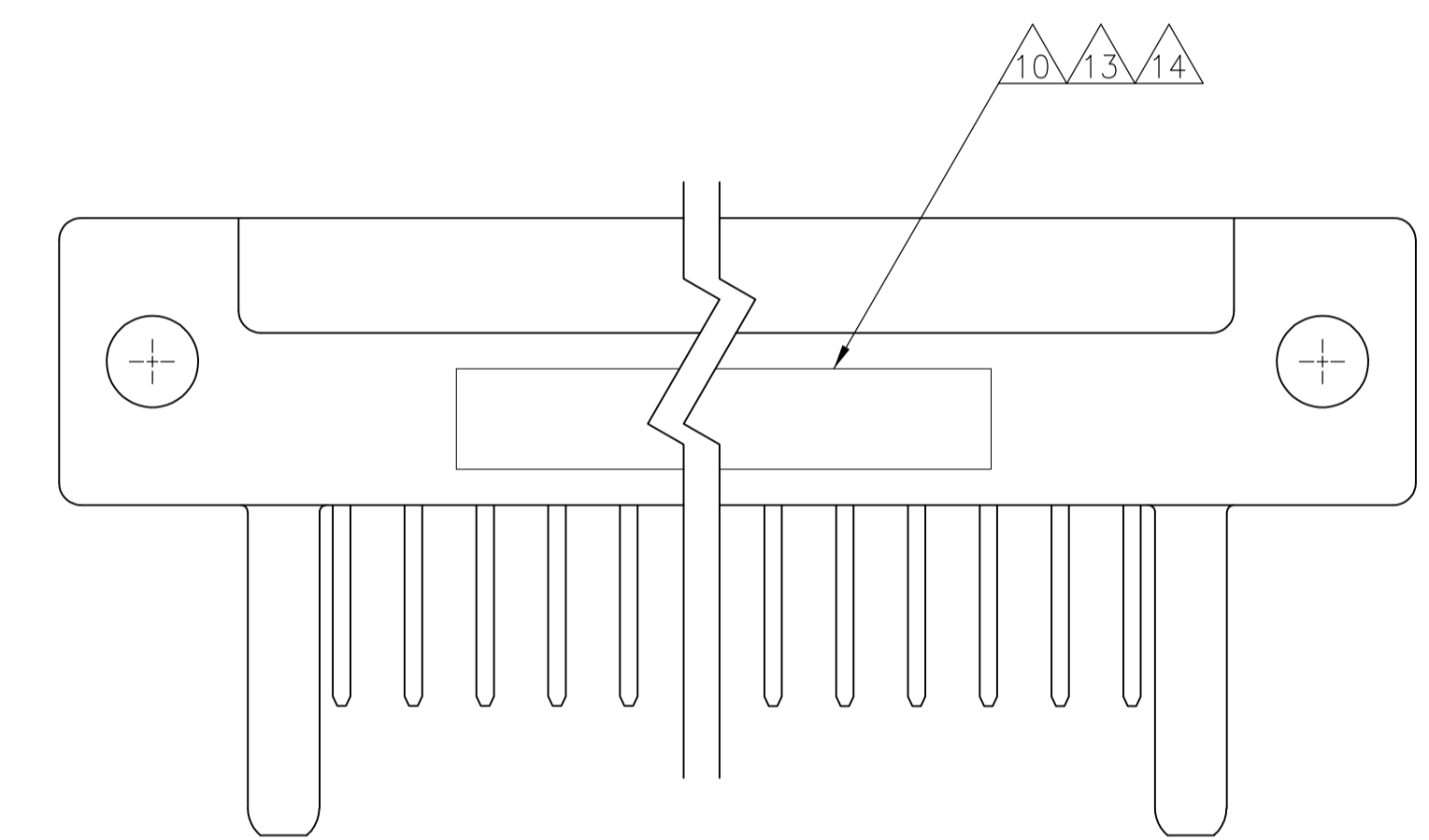
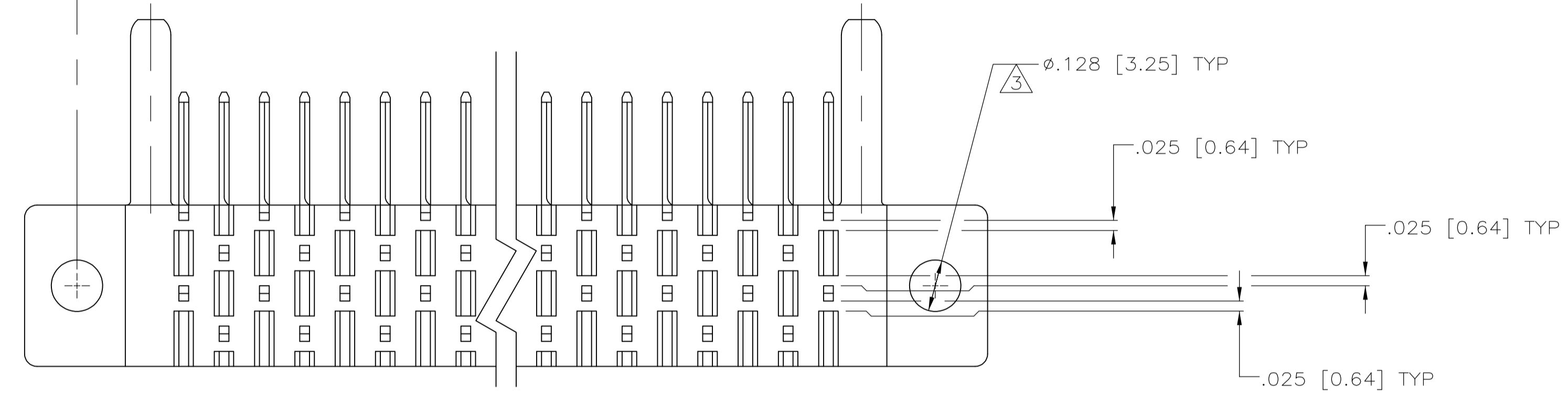
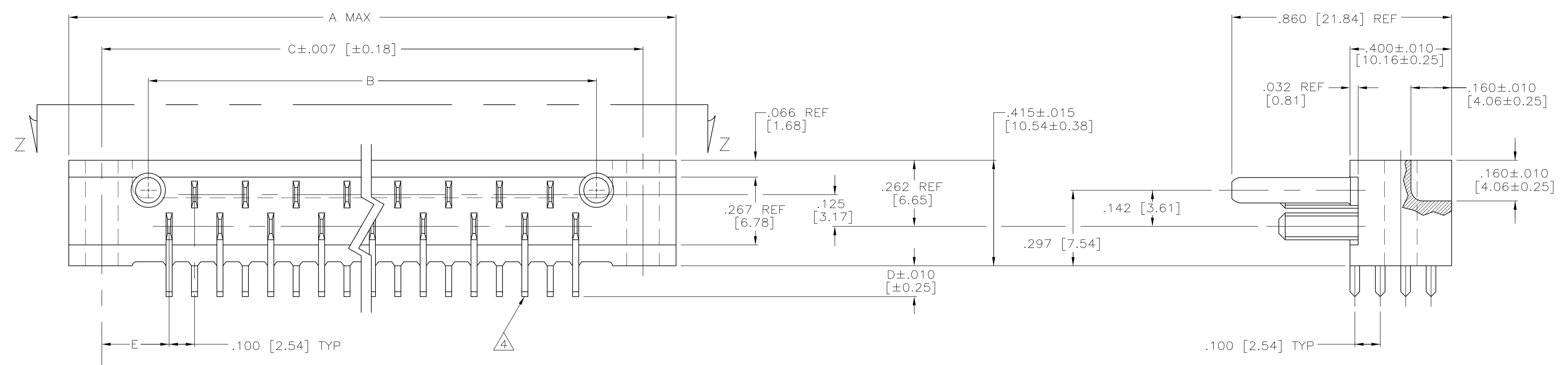
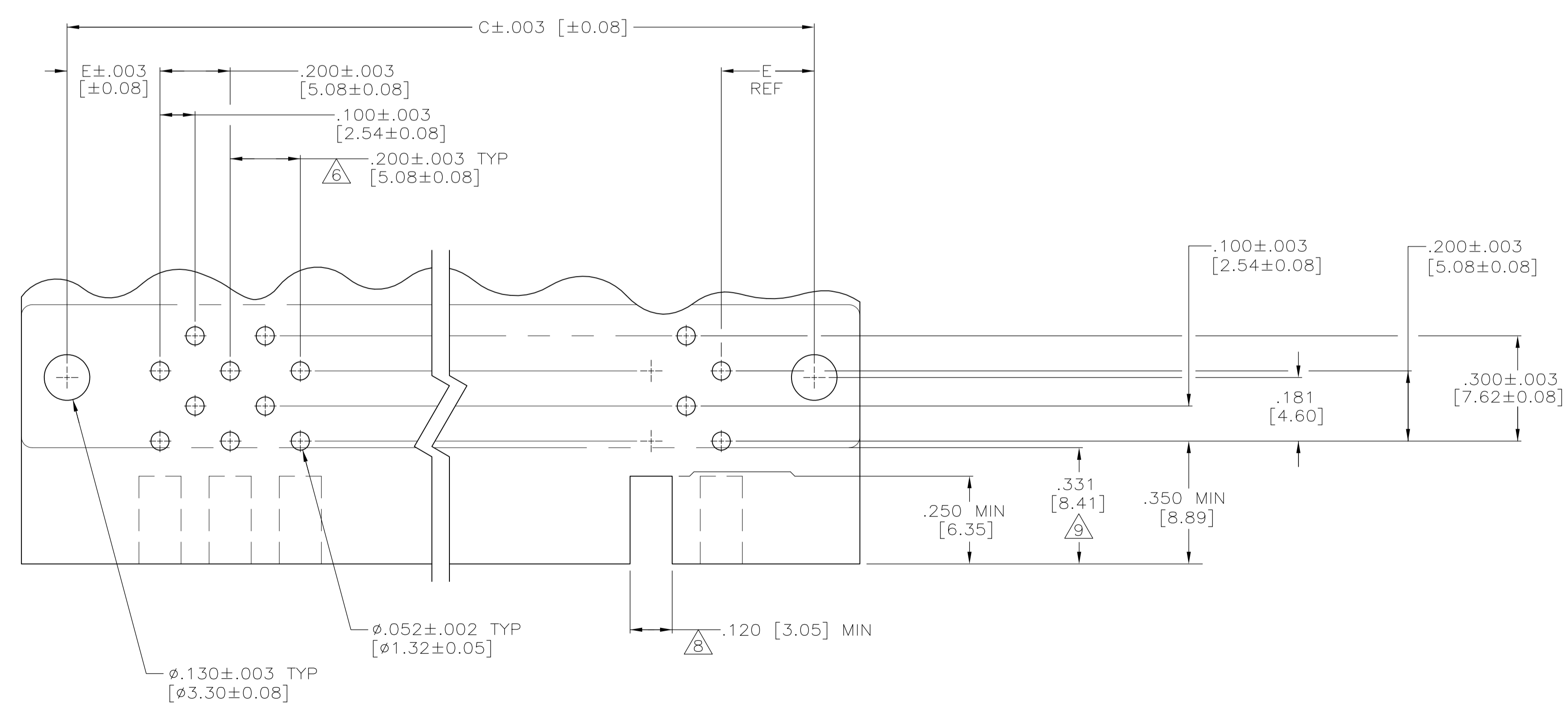


LOC		DIST		REVISIONS			
DF	HO	REV	PER	DESCRIPTION	DATE	DMN	APVD
AV	REV PER	ECO-07-021016			12OCT07	PY	DM

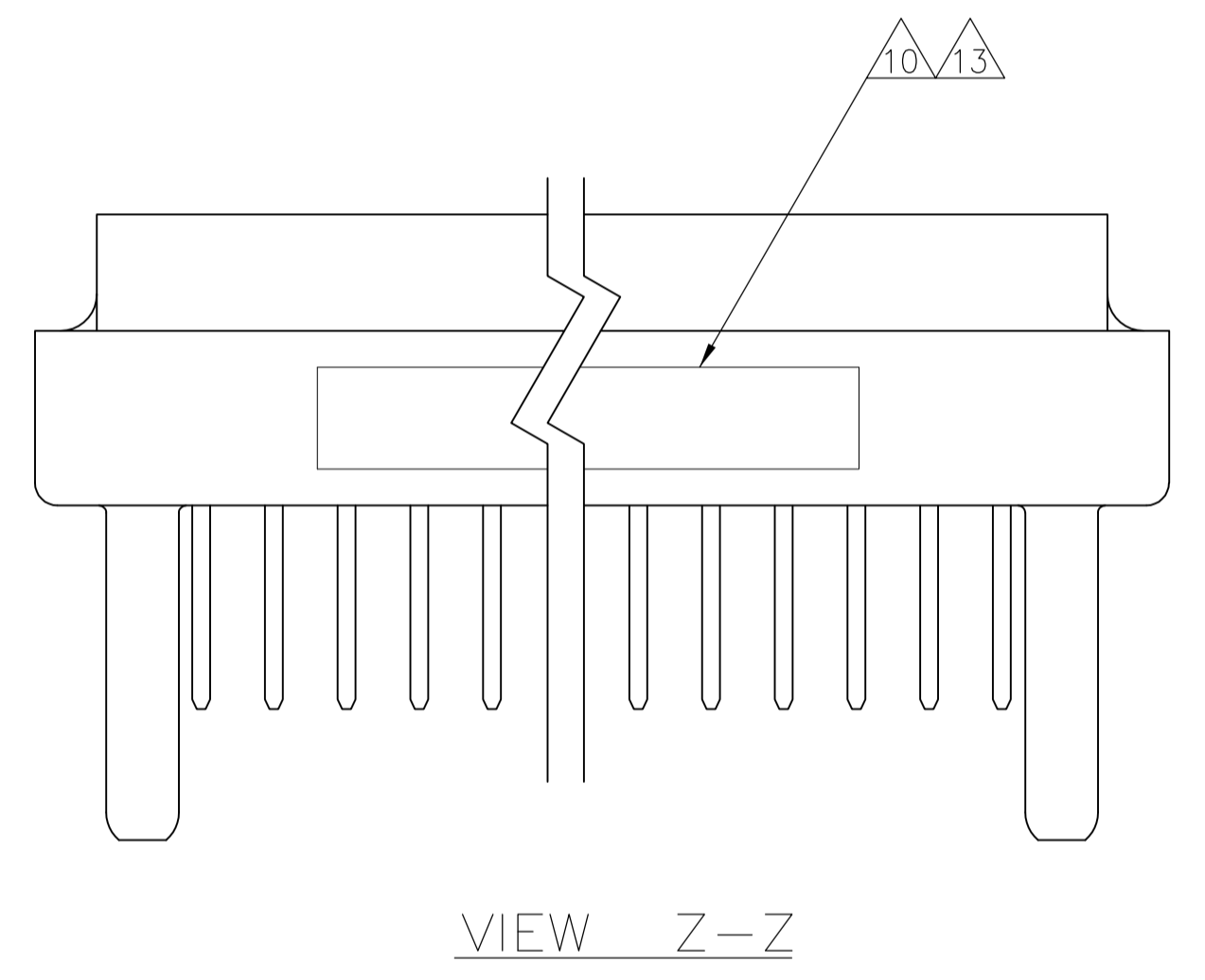
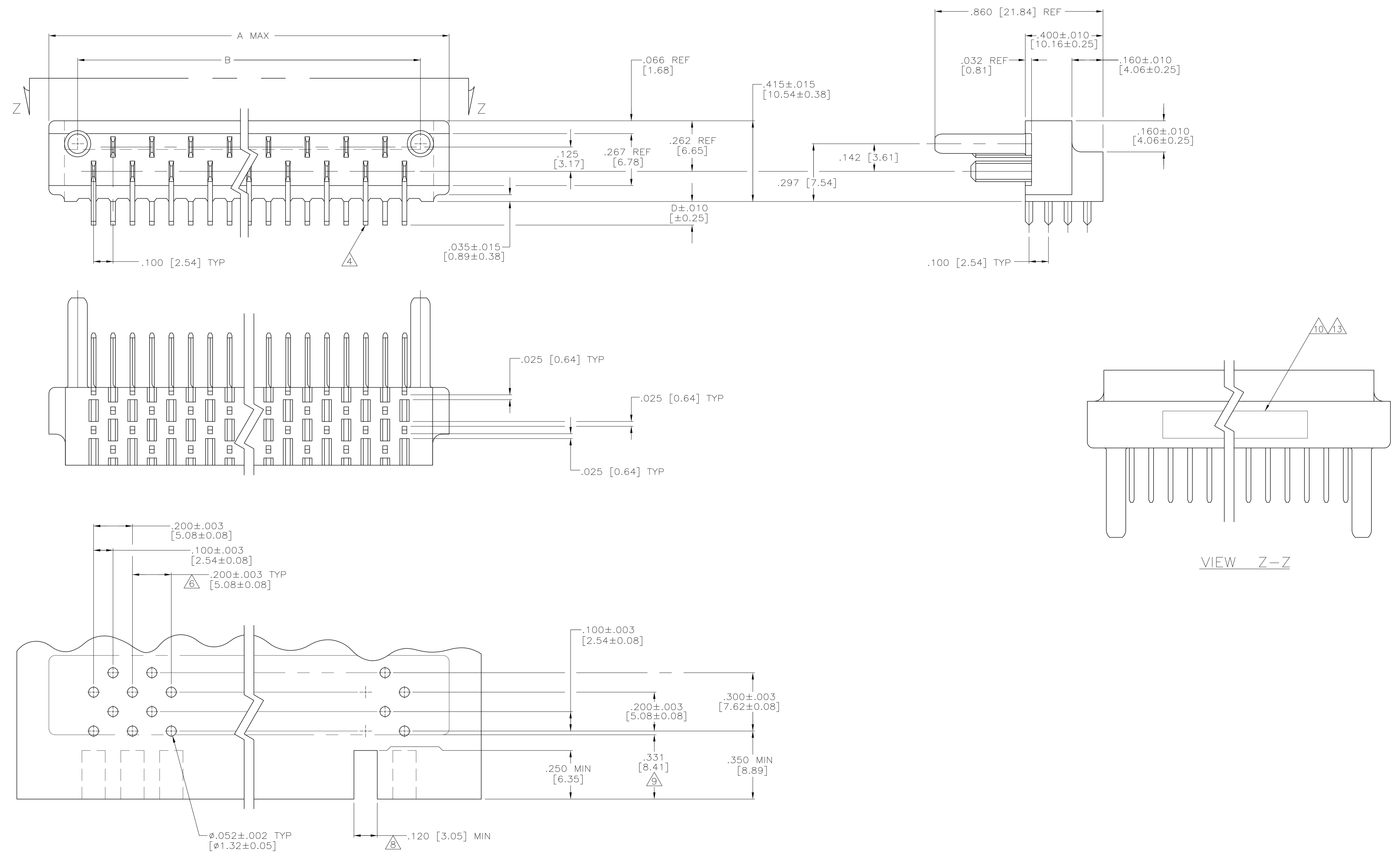


VIEW Z-Z



RECOMMENDED P.C. BOARD LAYOUT

THIS DRAWING IS A CONTROLLED DOCUMENT.		DIN W. LEUFERT 29-JAN-90	Tyco Electronics Corporation Harrisburg, Pa 17105-3608	
DIMENSIONS: INCHES		CHK J.F. WARNER 14-MAR-91	NAME ASSEMBLY, AMP BLADE TAB HOUSING	
TOLERANCES UNLESS OTHERWISE SPECIFIED:		APVD J.F. WARNER 14-MAR-91	PRODUCT SPEC	
0. PLC ± -		APPLICATION SPEC		
1. PLC ± -		WEIGHT		
2. PLC ± -		SIZE CAGE CODE DRAWING NO		
3. PLC ± .005 [0.13]		A1 00779 C=582152		
4. PLC ± -		RESTRICTED TO		
ANGLES ± -		CUSTOMER DRAWING		
MATERIAL FINISH		SCALE 4:1 SHEET 1 OF 3 REV AV		



RECOMMENDED P.C. BOARD LAYOUT

THIS DRAWING IS A CONTROLLED DOCUMENT.		DIN W. LEUFERT 29-JAN-90		Tyco Electronics Tyco Electronics Corporation Harrisburg, Pa 17105-3608	
DIMENSIONS: INCHES		TOLERANCES UNLESS OTHERWISE SPECIFIED:		APVD: J.F. WARNER 14-MAR-91 NAME: ASSEMBLY, AMP BLADE TAB HOUSING	
0 PLC ± -		1 PLC ± -		PRODUCT SPEC	
2 PLC ± -		3 PLC ± .005 [0.13]		APPLICATION SPEC	
4 PLC ± -		ANGLES ± -		SIZE: A1 00779 C=582152	
MATERIAL: SEE SHEET 1		FINISH: SEE SHEET 1		WEIGHT: -	
		CUSTOMER DRAWING		SCALE: 4:1 SHEET 2 OF 3 REV AV	

WITH MOUNTING HOLES

WITHOUT MOUNTING HOLES

PART NO.	NO OF CONT.	A	B	C	D	E	P.C. THICKNESS	BD. THICKNESS	NOTE	MARKING
3-582152-1	17	2.390	1.764	2.130	.120	.265	.0625			-
3-582152-2	23	2.990	2.364	2.730	.120	.265	.0625			-
3-582152-3	29	3.590	2.964	3.330	.120	.265	.0625			-
3-582152-4	35	4.190	3.564	3.930	.120	.265	.0625			-
3-582152-5	41	4.790	4.164	4.530	.120	.265	.0625			-
3-582308-1	47	5.623	4.764	5.363	.120	.381	.0625			-
582852-4	41	4.790	4.164	4.530	.120	.265	.0625			-
4-582308-1	47	5.623	4.764	5.363	.120	.381	.0625			OBSOLETE-
4-582152-1	17	2.390	1.764	2.130	.120	.265	.0625			OBSOLETE-
4-582152-3	29	3.590	2.964	3.330	.120	.265	.0625			OBSOLETE-
5-582843-0	23	2.990	2.364	2.730	.120	.265	.0625			-
5-582843-1	47	5.623	4.764	5.363	.120	.381	.0625			-
582843-2	17	2.390	1.764	2.130	.120	.265	.0625		M 21097/ 14-01	-
582843-3	23	2.990	2.364	2.730	.120	.265	.0625		M 21097/ 14-04	-
582843-4	29	3.590	2.964	3.330	.120	.265	.0625		M 21097/ 14-07	-
582843-5	35	4.190	3.564	3.930	.120	.265	.0625		M 21097/ 14-10	-
582843-6	41	4.790	4.164	4.530	.120	.265	.0625		M 21097/ 14-13	-
582843-7	47	5.623	4.764	5.363	.120	.381	.0625		M 21097/ 14-16	-
582907-1	29	3.590	2.964	3.330	.120	.265	.0625			OBSOLETE-
6-582152-1	17	2.390	1.764	2.130	.152	.265	.0937			-
6-582152-2	23	2.990	2.364	2.730	.152	.265	.0937			-
6-582152-3	29	3.590	2.964	3.330	.152	.265	.0937			-
6-582152-4	35	4.190	3.564	3.930	.152	.265	.0937			-
6-582152-5	41	4.790	4.164	4.530	.152	.265	.0937			-
6-582308-1	47	5.623	4.764	5.363	.152	.381	.0937			-
7-582308-1	47	5.623	4.764	5.363	.152	.381	.0937			OBSOLETE-
1-582843-4	17	2.390	1.764	2.130	.152	.265	.0937		M 21097/ 14-02	-
582843-1	23	2.990	2.364	2.730	.152	.265	.0937		M 21097/ 14-05	-
1-582843-5	29	3.590	2.964	3.330	.152	.265	.0937		M 21097/ 14-08	-
1-582843-6	35	4.190	3.564	3.930	.152	.265	.0937		M 21097/ 14-11	-
1-582843-7	41	4.790	4.164	4.530	.152	.265	.0937		M 21097/ 14-14	-
1-582843-8	47	5.623	4.764	5.363	.152	.381	.0937		M 21097/ 14-17	-
9-582152-1	17	2.390	1.764	2.130	.183	.265	.125			OBSOLETE-
9-582152-2	23	2.990	2.364	2.730	.183	.265	.125			-
9-582152-3	29	3.590	2.964	3.330	.183	.265	.125			-
9-582152-4	35	4.190	3.564	3.930	.183	.265	.125			OBSOLETE-
9-582152-5	41	4.790	4.164	4.530	.183	.265	.125			-
9-582308-1	47	5.623	4.764	5.363	.183	.381	.125			OBSOLETE-
2-582843-5	17	2.390	1.764	2.130	.183	.265	.125		M 21097/ 14-03	-
2-582843-6	23	2.990	2.364	2.730	.183	.265	.125		M 21097/ 14-06	-
2-582843-7	29	3.590	2.964	3.330	.183	.265	.125		M 21097/ 14-09	-
2-582843-8	35	4.190	3.564	3.930	.183	.265	.125		M 21097/ 14-12	-
2-982843-9	41	4.790	4.164	4.530	.183	.265	.125		M 21097/ 14-15	-
3-582843-0	47	5.623	4.764	5.363	.183	.381	.125		M 21097/ 14-18	-

PART NO.	NO OF CONT.	A	B	C	D	E	P.C. THICKNESS	BD. THICKNESS	NOTE	MARKING
3-582152-6	17	2.070	1.764	-	.120	-	.0625			-
3-582152-7	23	2.670	2.364	-	.120	-	.0625			-
3-582152-8	29	3.270	2.964	-	.120	-	.0625			-
3-582152-9	35	3.870	3.564	-	.120	-	.0625			-
3-582152-0	41	4.470	4.164	-	.120	-	.0625			-
3-582308-2	47	5.070	4.764	-	.120	-	.0625			-
2-582152-9	35	3.870	3.564	-	.120	-	.0625			-
582152-1	23	2.670	2.364	-	.120	-	.0625			-
582152-2	47	5.070	4.764	-	.120	-	.0625			-
582152-3	35	3.870	3.564	-	.120	-	.0625			-
582843-8	17	2.070	1.764	-	.120	-	.0625		M 21097/15-01	-
582843-9	23	2.670	2.364	-	.120	-	.0625		M 21097/15-04	-
1-582843-0	29	3.270	2.964	-	.120	-	.0625		M 21097/15-07	-
1-582843-1	35	3.870	3.564	-	.120	-	.0625		M 21097/15-10	-
1-582843-2	41	4.470	4.164	-	.120	-	.0625		M 21097/15-13	-
1-582843-3	47	5.070	4.764	-	.120	-	.0625		M 21097/15-16	-
6-582152-6	17	2.070	1.764	-	.152	-	.0937			OBSOLETE-
6-582152-7	23	2.670	2.364	-	.152	-	.0937			-
6-582152-8	29	3.270	2.964	-	.152	-	.0937			OBSOLETE-
6-582152-9	35	3.870	3.564	-	.152	-	.0937			OBSOLETE-
6-582152-0	41	4.470	4.164	-	.152	-	.0937			-
6-582308-2	47	5.070	4.764	-	.152	-	.0937			-
1-582843-9	17	2.070	1.764	-	.152	-	.0937		M 21097/15-02	-
2-582843-0	23	2.670	2.364	-	.152	-	.0937		M 21097/15-05	-
2-582843-1	29	3.270	2.964	-	.152	-	.0937		M 21097/15-08	-
2-582843-2	35	3.870	3.564	-	.152	-	.0937		M 21097/15-11	-
2-582843-3	41	4.470	4.164	-	.152	-	.0937		M 21097/15-14	-
2-582843-4	47	5.070	4.764	-	.152	-	.0937		M 21097/15-17	-
9-582152-6	17	2.070	1.764	-	.183	-	.125			OBSOLETE-
9-582152-7	23	2.670	2.364	-	.183	-	.125			OBSOLETE-
9-582152-8	29	3.270	2.964	-	.183	-	.125			OBSOLETE-
9-582152-9	35	3.870	3.564	-	.183	-	.125			-
9-582152-0	41	4.470	4.164	-	.183	-	.125			OBSOLETE-
9-582308-2	47	5.070	4.764	-	.183	-	.125			OBSOLETE-
3-582843-1	17	2.070	1.764	-	.183	-	.125		M 21097/15-03	-
3-582843-2	23	2.670	2.364	-	.183	-	.125		M 21097/15-06	-
3-582843-3	29	3.270	2.964	-	.183	-	.125		M 21097/15-09	-
3-582843-4	35	3.870	3.564	-	.183	-	.125		M 21097/15-12	-
3-582843-5	41	4.470	4.164	-	.183	-	.125		M 21097/15-15	-
3-582843-6	47	5.070	4.764	-	.183	-	.125		M 21097/15-18	-

- TAB-HOUSING ASSEMBLY MATES WITH AMP P/N 3-582151 SERIES.
 - BLADE CENTER LINE TO BE MEASURED FROM THE CENTER LINE FORMED BY THE ALIGNMENT PINS & AS LONG AS THE BLADES FALL WITHIN TOLERANCES INDICATED, THE ALLOWABLE WARPAGE IS INDEPENDENT OF THE BLADES & BECOMES A MEASUREMENT OF THE OUTSIDE SURFACE OF THE TAB-HOUSING & DOES NOT EFFECT THE MATING OF THIS TAB-HOUSING WITH 582151.
- 3 MOUNTING HOLES.
 - 4 POST TO BE SOLDER DIPPED. CONN. MUST MEET REQUIREMENTS OF AMP SPEC 109-11-1.
 - 5 CONTACT MATL.; GILDING METAL. GOLD OVER NICKEL.
 - 6 TOLERANCE NON CUMULATIVE.
 - 7 TAB-HOUSING MATL.; DIALYL PHTHALATE, GLASS FILLED PER MIL-M-14, TYPE S.D.G.-F. COLOR; GREEN.
 - 8 CUT OUT FOR KEYING BOSS, LOCATED WHERE REQD. (OPTIONAL)
 - 9 FROM EDGE OF P.C. BOARD TO FACE OF TAB-HOUSING.
 - 10 TYCO ELECTRONICS P/N NOT TO BE MARKED ON PART. AMP, DATE CODE, AND CUSTOMER PART NO. MARKED PER TABLE.
 - 11 CONTACT FINISH; .0001 THK. GOLD, OVER NICKEL.
 - 12 TAB-HOUSING MATL.; COLOR, GREY.
 - 13 AMP, TYCO ELECTRONICS PART NO. AND DATE CODE MARKED PER TABLE IN THIS APPROX AREA.
 - 14 CUSTOMER PART NO. MARKED PER TABLE IN THIS APPROX AREA.

THIS DRAWING IS A CONTROLLED DOCUMENT.

DIMENSIONS: INCHES	TOLERANCES UNLESS OTHERWISE SPECIFIED:	DIN W. LEUFERT 29-JAN-90	Tyco Electronics Corporation Harrisburg, Pa 17105-3608
		14-MAR-91	
	0 PLC ± - 1 PLC ± - 2 PLC ± - 3 PLC ± .005 (0.13) 4 PLC ± - ANGLES ± -	APVD J.E. WARNER 14-MAR-91	NAME ASSEMBLY, AMP BLADE TAB HOUSING
MATERIAL SEE SHEET 1	FINISH SEE SHEET 1	WEIGHT -	SIZE CASE CODE DRAWING NO. RESTRICTED TO
		A1 00779 C=582152	SCALE 4:1 SHEET 3 OF 3 REV AV

CUSTOMER DRAWING