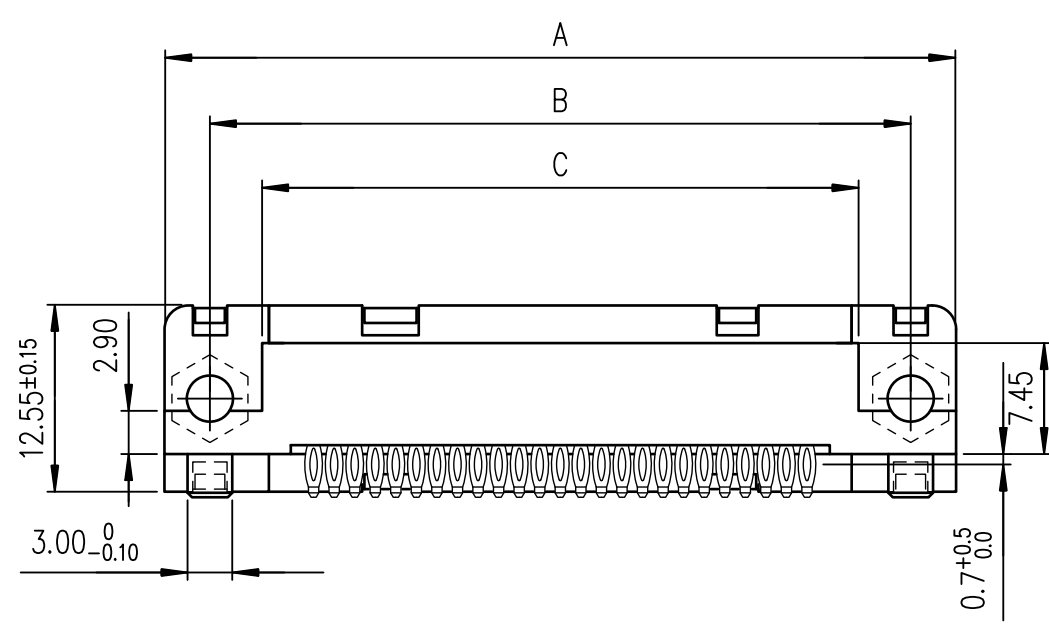


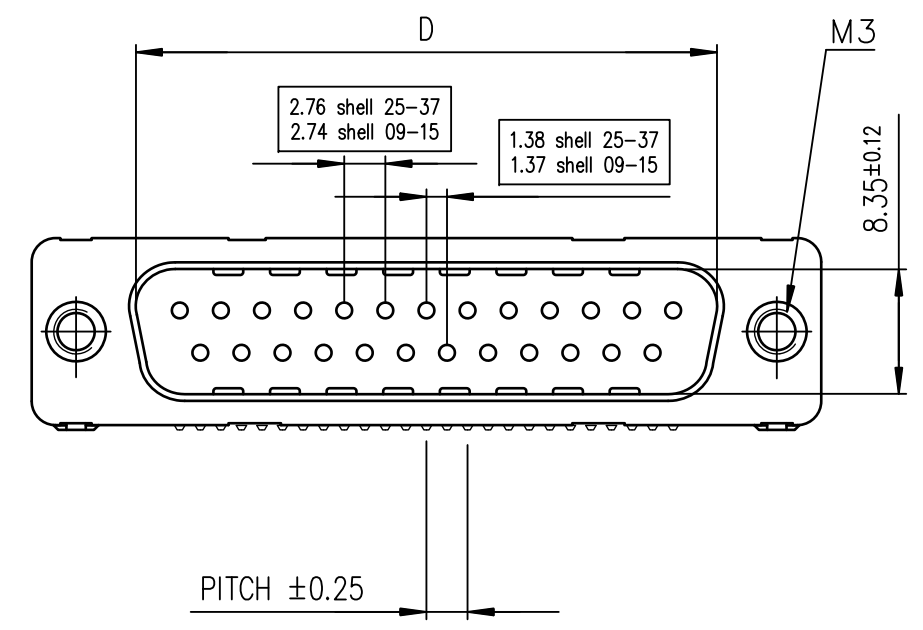
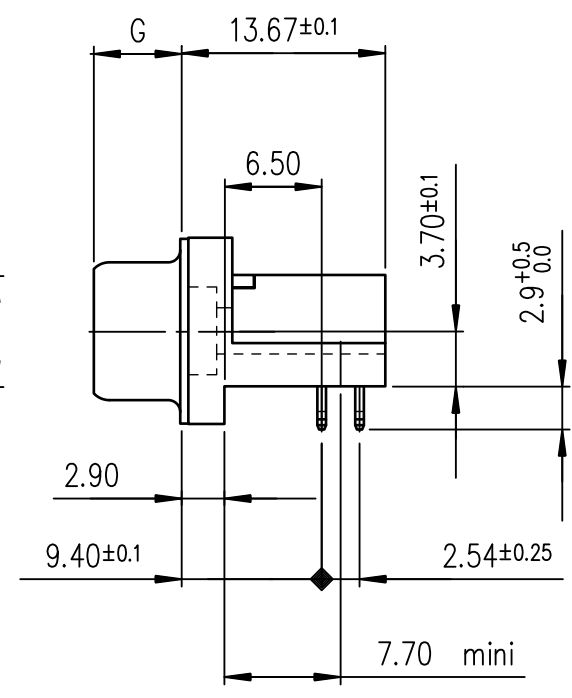


FCIconnect.com

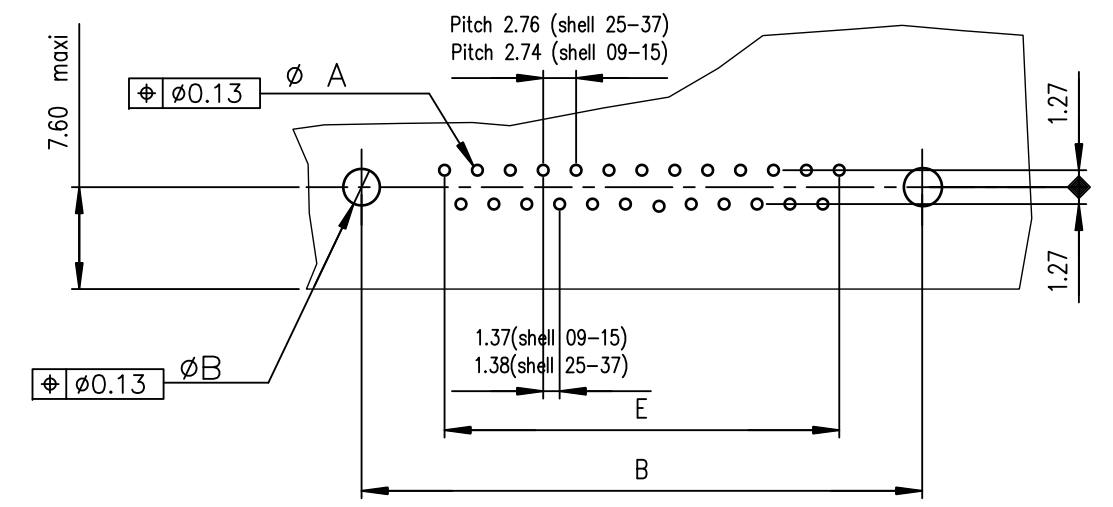
Copyright FCI



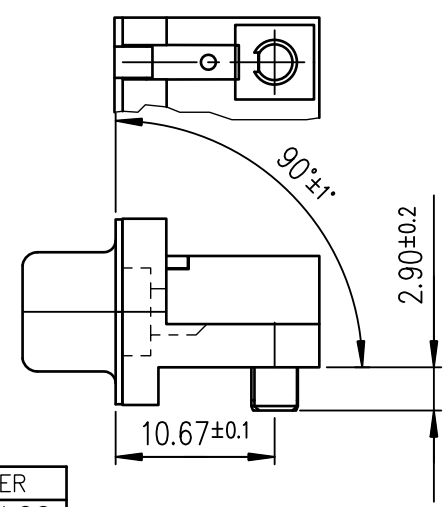
view shown without plastic pin



PC card drilling dimensions(after plating)  
(thickness 1.60 or 2.40±0.20mm)



Detail of integral plastic pin



TIN LEAD PART NUMBER

SHELL	A±0.38	B±0.12	C±0.10	D +0.25/0	E±0.07	G	PART NUMBER	PART NUMBER
09	30.81	24.99	18.00	16.79	10.96	5.90 +0.15/0	D09P82C4PL00	D09P82C6PL00
15	39.14	33.32	26.32	25.12	19.18	5.90 +0.15/0	D15P82C4PL00	D15P82C6PL00
25	53.03	47.04	40.04	38.84	33.12	5.70 +0.25/0	D25P82C4PL00	D25P82C6PL00
37	69.32	63.50	56.50	55.30	49.68	5.70 +0.25/0	D37P82C4PL00	D37P82C6PL00
							Gold flash	0.76 µ gold

LEAD FREE PART NUMBER

SHELL	A±0.38	B±0.12	C±0.10	D +0.25/0	E±0.07	G	PART NUMBER	PART NUMBER
09	30.81	24.99	18.00	16.79	10.96	5.90 +0.15/0	D09P82C4PL00LF	D09P82C6PL00LF
15	39.14	33.32	26.32	25.12	19.18	5.90 +0.15/0	D15P82C4PL00LF	D15P82C6PL00LF
25	53.03	47.04	40.04	38.84	33.12	5.70 +0.25/0	D25P82C4PL00LF	D25P82C6PL00LF
37	69.32	63.50	56.50	55.30	49.68	5.70 +0.25/0	D37P82C4PL00LF	D37P82C6PL00LF
							Gold flash	0.76 µ gold

GENERAL CHARACTERISTICS AND ROHS INFORMATIONS:

SEE DRAWING C01-8646-0001

mat'l. code		surface ISO 1302		tolerance ISO 406 ISO 1101		projection		product family		
-		✓				MM		D-SUB		
ltr	ecn no	dr	date	tolerances unless otherwise specified		MM		title		
M	ELX-I-18050	MP	2014/06/23	angles	linear	MM		MALE CONNECTOR DELTA-D EUROSTYLE RIGHT ANGLED PRESS FIT		
				0°±2°		scale 2:1		dwg no		
								sheet 1 of 1		
				dr	PESSON	1994/02/01	FCI		size	
				enr	MITHUN PAUL	2014/06/23			A3	
				chr	ALIAS BABU	2014/06/23			C01-8646-0220	
				appd	BIJU K PAUL	2014/06/23			type Product Customer Drawing	
sheet index	revision	M								
	sheet	1								