

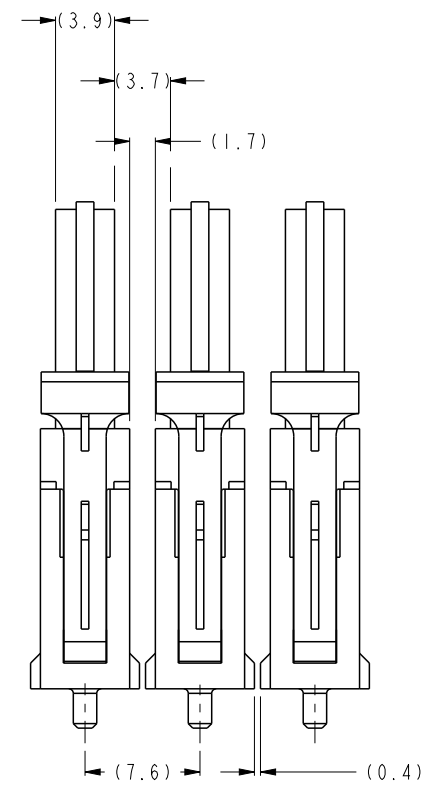
spec ref	*	dr	Nickor Zuo	2012/05/14	projection 	MM 	size	A4	scale	1:1
tolerance std	TOLERANCES UNLESS OTHERWISE SPECIFIED	eng	Nickor Zuo	2012/05/14			ecn no	-		
		chr	-	-			rel level	Released		
surface	<input checked="" type="checkbox"/> linear <input type="checkbox"/> angular	0.X ±0.38 0.XX ±0.25 0.XXX ±0.13 0° ±°	 <a href="http://www.fci.com">www.fci.com</a>	title DDR3 DIMM LSP VERTICAL P/F, 240 PINS, RDIMM, LLCR	cat. no. *	product family Product - Customer Drw	dwg no 10120194	rev A	sheet 1 of 5	



Copyright FCI.



Copyright FCI.



MINIMUM ROW TO ROW SPACING RECOMMENDATION  
(USING 4.00MM MODULE CARD)

NOTES:

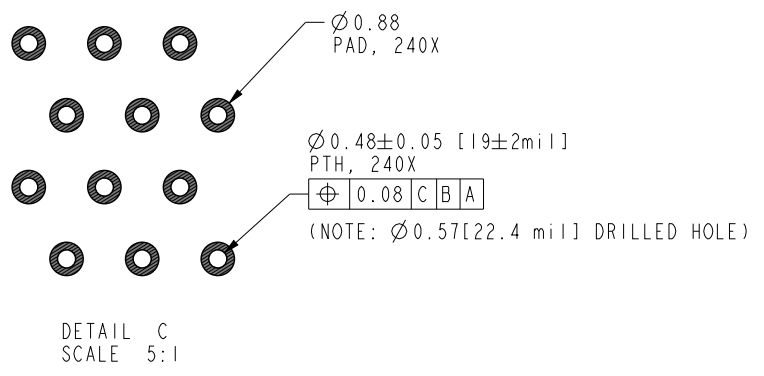
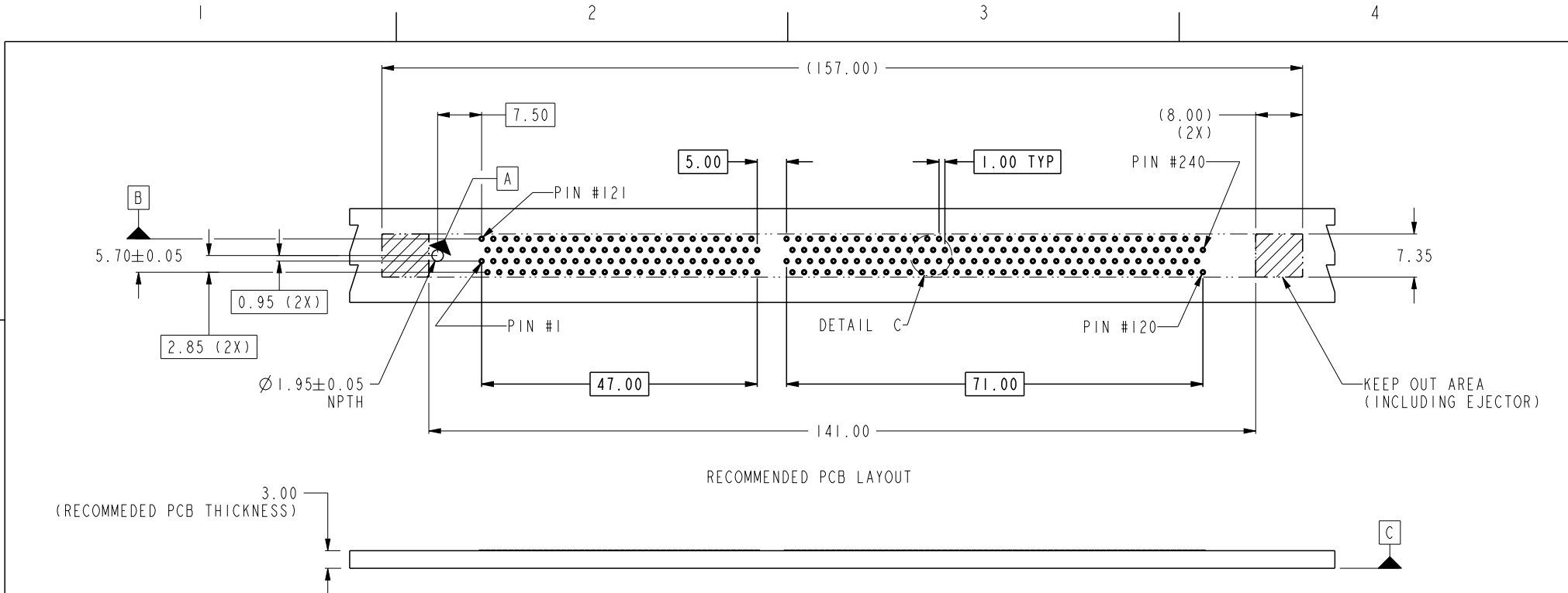
- MATERIAL:  
HOUSING: HIGH PERFORMANCE RESINS, GLASS FILLED UL94V-0 RATED.  
EJECTOR: HIGH PERFORMANCE RESINS, GLASS FILLED UL94V-0 RATED.  
TERMINAL: COPPER ALLOY.  
TERMINAL FINISH: REFER TO TABLE ON SHEET 5.
- DATE CODE FORMATE IS "MMDDYYL", PROCESSED BY INK PRINTING OR LASER MARKING.  
"MMDDYY": MONTH-DATE-YEAR, DENOTE THE ASSEMBLY DATE.  
"L": FCI PRODUCTION LINE.
- PRODUCT SPECIFICATION: GS-12-0924.
- PACKAGING SPECIFICATION: GS-14-528.
- CARD SLOT ACCEPTS 1.27 +/- 0.10MM MODULE THICKNESS.  
(MEASURED FROM PC PADS)
- KEEP OUT ZONE RESERVED FOR EJECTOR.
- LEAD FREE PRODUCT MEETS EUROPEAN UNION DIRECTIVES AND OTHER COUNTRY REGULATIONS AS DESCRIBED IN GS-22-008.

spec ref	*	dr	Nickor Zuo	2012/05/14	projection 	MM 	size	A4	scale	1:1	
tolerance std	TOLERANCES UNLESS OTHERWISE SPECIFIED	eng	Nickor Zuo	2012/05/14			ecn no	-			
		chr	-	-							
surface	linear	0.X	±0.38	FCI	product family	rel level	Released				
		0.XX	±0.25				www.fci.com	cat. no.	*	Product - Customer Drw	sheet 2 of 5
		0.XXX	±0.13								
angular	0°	±°	title	DDR3 DIMM LSP VERTICAL P/F, 240 PINS, RDIMM, LLCR		dwg no	10120194		rev	A	





Copyright FCI.



spec ref	*	dr	Nickor Zuo	2012/05/14	projection	MM	size	A4	scale	1:1
tolerance std	TOLERANCES UNLESS OTHERWISE SPECIFIED	eng	Nickor Zuo	2012/05/14				ecn no	-	
		chr	-	-						
surface	<input checked="" type="checkbox"/>	appr	Collins Lu	2012/05/14	product family	rel level	Released			
		linear	0.X	±0.38		title DDR3 DIMM LSP VERTICAL P/F, 240 PINS, RDIMM, LLCR	dwg no 10120194	rev A		
			0.XX	±0.25						
	0.XXX	±0.13								
angular		0°	±°	www.fci.com	cat. no.	*	Product - Customer Drw	sheet 4 of 5		

PrdE File - REV C - 2009-06-09

1

2

3

4

A

A

PART NUMBER	PLATING OPTION		HOUSING COLOR	EJECTOR COLOR
	CONTACT AREA	TAIL AREA		
10120194-001LF	PERFORMANCE BASED PLATING MEET PRODUCT SPECIFICATION REQUIREMENT (30 MICROINCH GXT OR GOLD)	0.38~1.52 MICROMETER [15~60 MICROINCH] MATTE TIN OVER 1.27 MICROMETER [50 MICROINCH] MIN. NICKEL UNDERPLATE	BLACK	BLACK
10120194-002LF			BLUE	BLUE
10120194-003LF			IVORY	IVORY
10120194-004LF			BLACK	IVORY

B

B



C

C

Copyright FCI.

D

D

spec ref	*	dr	Nickor Zuo	2012/05/14	projection 	MM 	size	A4	scale	1:1
tolerance std	TOLERANCES UNLESS OTHERWISE SPECIFIED	eng	Nickor Zuo	2012/05/14			ecn no	-		
		chr	-	-						
surface <input checked="" type="checkbox"/>	linear	0.X	±0.38	FCI	title	DDR3 DIMM LSP	dwg no	10120194	rev	A
		0.XX	±0.25							
		0.XXX	±0.13							
	angular	0°	±°	www.fci.com	cat. no.	*	Product - Customer Drw	rel level	Released	sheet 5 of 5

2

3