

D-SUB contact support - VS-15-ST-DSUB-3P-LH - 1655331

Please be informed that the data shown in this PDF Document is generated from our Online Catalog. Please find the complete data in the user's documentation. Our General Terms of Use for Downloads are valid (<http://download.phoenixcontact.com>)



D-SUB contact carrier, shell size 2, accommodation for 3 combined contacts, contact type pin, fixing with 4-40 UNC thread and solder pins, for panel mounting frame VS-15-...



Key commercial data

Packing unit	1 PCE
Minimum order quantity	10 PCE
GTIN	 4 046356 029278
Custom tariff number	85369010
Country of origin	GERMANY

Technical data

Mechanical characteristics

Number of positions	3
Insertion/withdrawal cycles	≥ 500
Connection method	Fitting to accept combined contact
Ambient temperature (operation)	-55 °C ... 125 °C

Material data

Inflammability class according to UL 94	V0
Housing material	Steel, yellow chromated
Contact carrier material	PBTP
Contact surface material	Gold over nickel

D-SUB contact support - VS-15-ST-DSUB-3P-LH - 1655331

Classifications

ETIM

ETIM 2.0	EC000438
ETIM 3.0	EC000438
ETIM 4.0	EC000438
ETIM 5.0	EC000438

UNSPSC

UNSPSC 11	39121522
UNSPSC 12.01	39121522
UNSPSC 13.2	39121522
UNSPSC 6.01	30211923
UNSPSC 7.0901	39121522

eCl@ss

eCl@ss 4.0	27140816
eCl@ss 4.1	27260701
eCl@ss 5.0	27260701
eCl@ss 5.1	27260701
eCl@ss 6.0	27260705
eCl@ss 7.0	27440309

Approvals

Approvals

Approvals

GOST

Ex Approvals

Approvals submitted

Approval details

GOST 
--

D-SUB contact support - VS-15-ST-DSUB-3P-LH - 1655331

Accessories

Accessories

Contacts

D-SUB power contact - VS-ST-LH-3,6/18/3,8 - 1655467



POWER contact, for D-SUB combination inserts, for PCB assembly, pin, angled, rated current 40 A, gold-plated

D-SUB coaxial contact - VS-ST-KX-50-LP - 1655522



Coaxial contact, for D-SUB combination inserts, for PCB assembly, pin, angled, gold-plated

D-SUB coaxial contact - VS-ST-KX-75-LP - 1655645

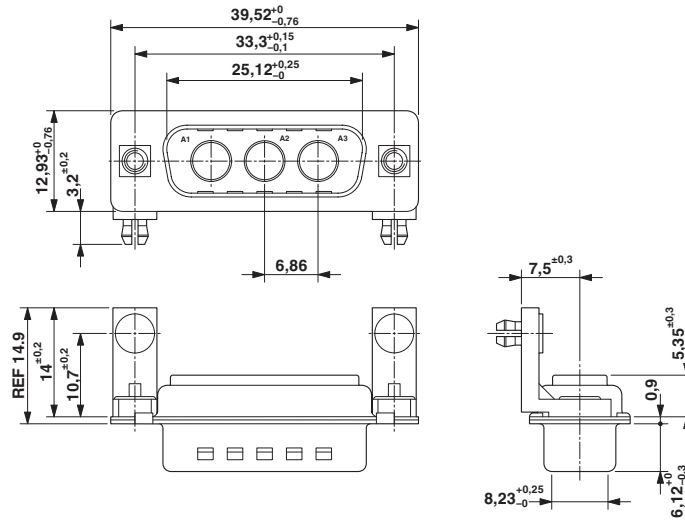


Coaxial contact, for D-SUB combination inserts, for PCB assembly, pin, angled, gold-plated

Drawings

D-SUB contact support - VS-15-ST-DSUB-3P-LH - 1655331

Dimensioned drawing



D-SUB contact carrier

D-SUB contact support - VS-15-ST-DSUB-3P-LH - 1655331

Schematic diagram

