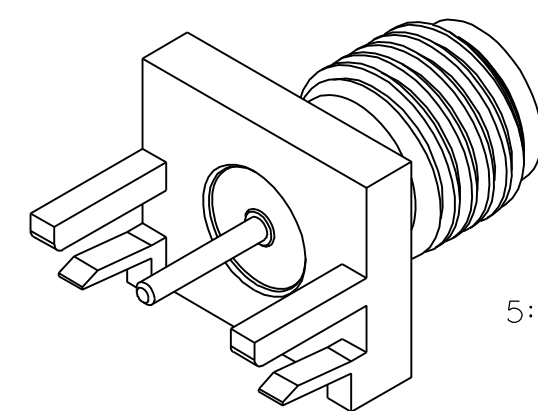
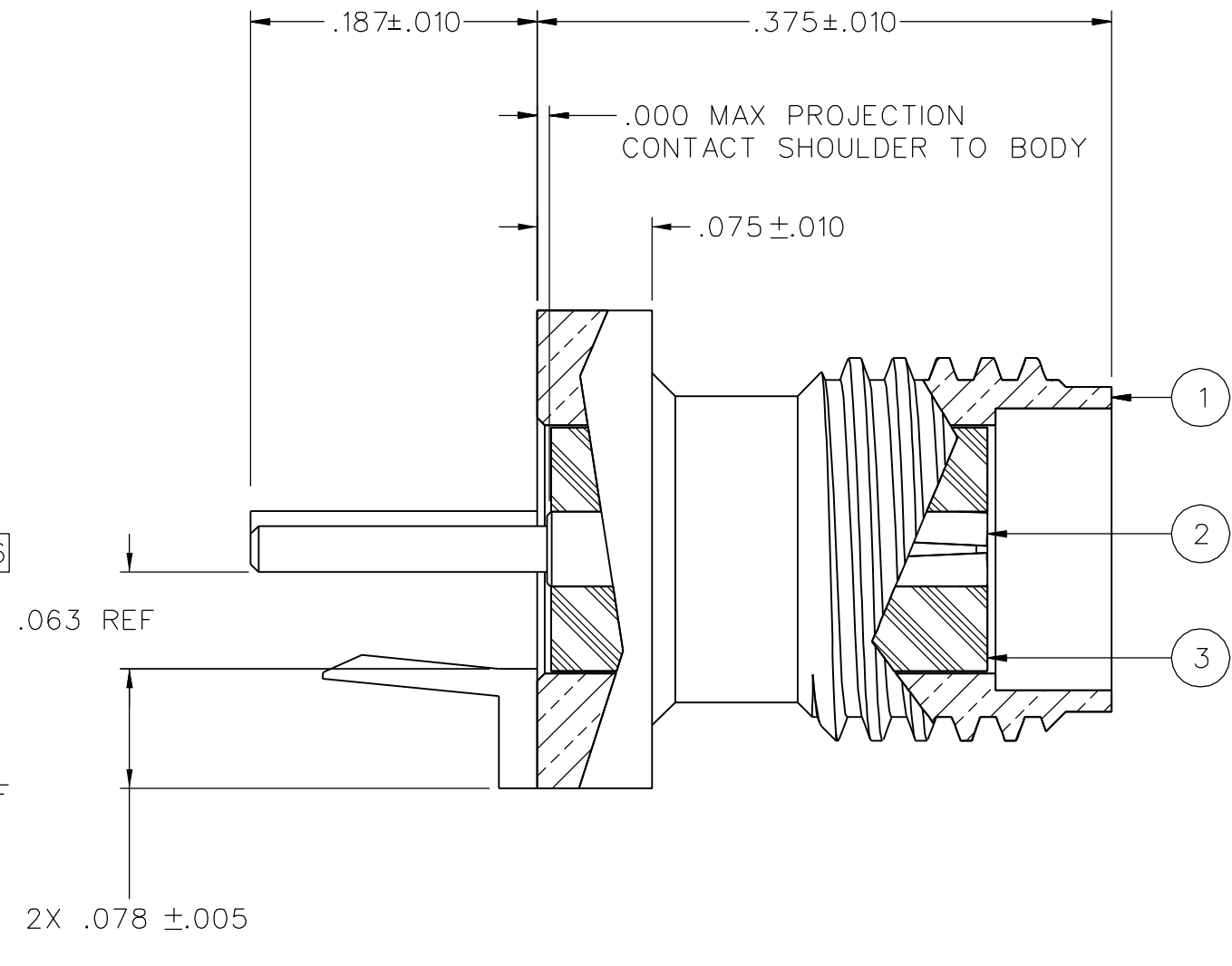
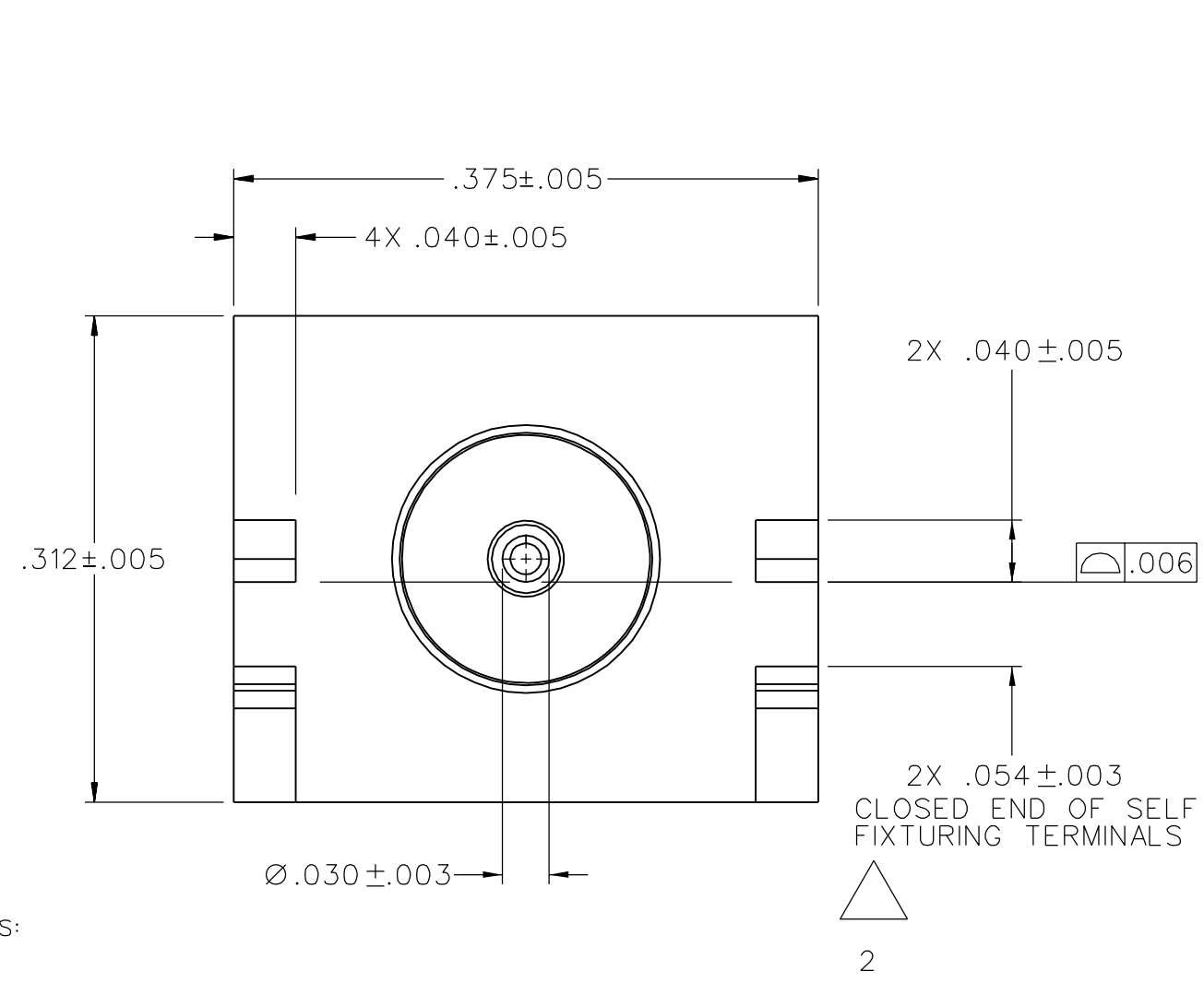


PART NUMBER	ITEM ① BODY	ITEM ② CONTACT	ITEM ③ INSULATOR
142-1701-841	BRASS GOLD PL .00001 MIN OVER NICKEL PL .00005 MIN OVER COPPER PL .00005 MIN	BERYLLIUM COPPER GOLD PL .00005 MIN OVER NICKEL PL .00005 MIN OVER COPPER PL .00005 MIN	TEFLON



DRAWING NO.  
C - 142-1701-841/850

REVISIONS						
ENGINEERING RELEASE						
1	3-15-10	CWW	SDJ	RJB	MJU	3-16-10 ECO 52196
DELETED NOTE 3						
2	4-23-15	MS	ML	RJB	MJU	4-23-15 ECO 55624



NOTES:

1. SPECIFICATIONS:

ELECTRICAL:

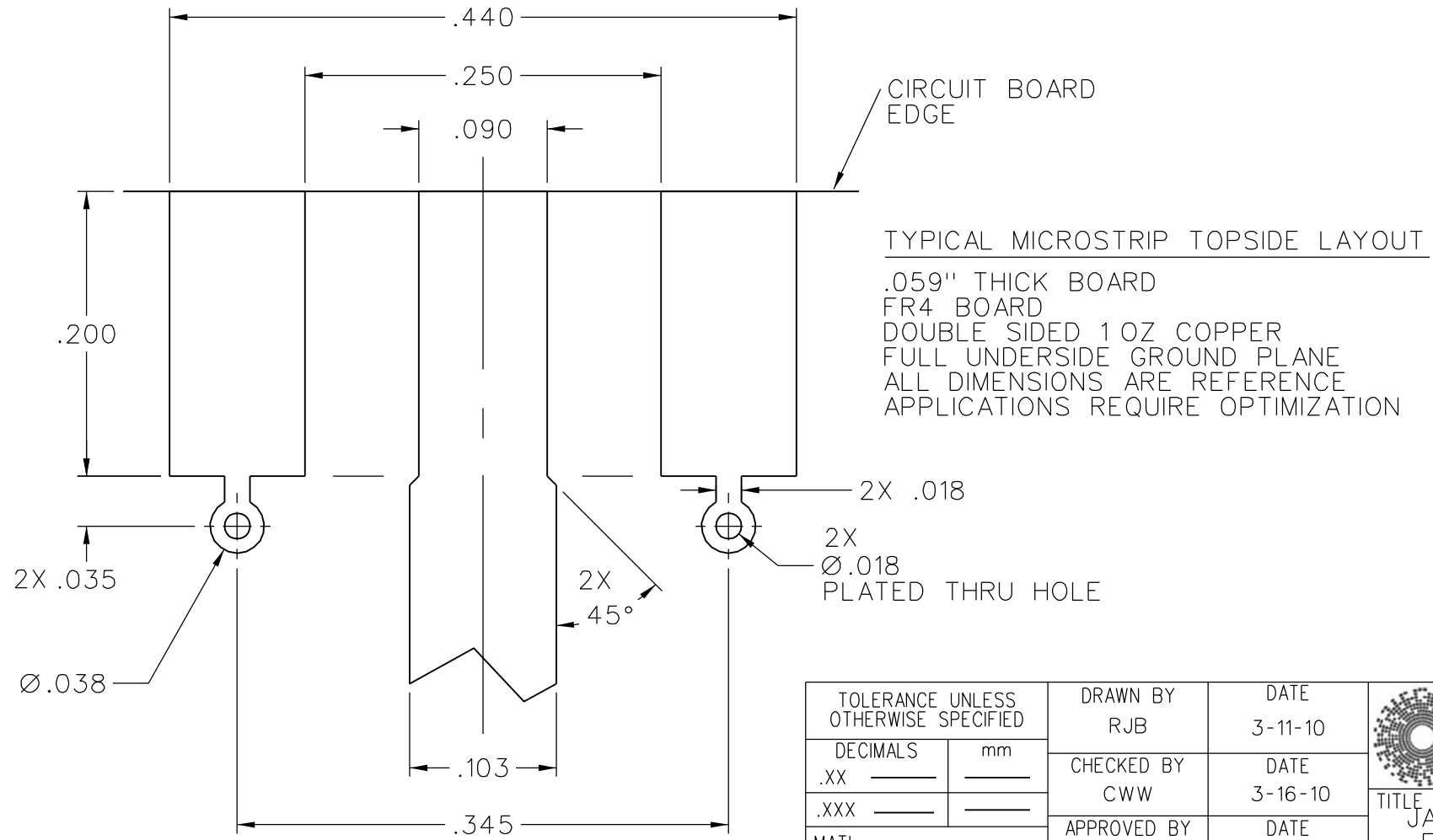
IMPEDANCE: 50 OHMS  
 FREQUENCY RANGE: 0-18 GHz  
 VSWR: NOT APPLICABLE  
 WORKING VOLTAGE: 335 VRMS MAX AT SEA LEVEL  
 DIELECTRIC WITHSTANDING VOLTAGE: 1000 VRMS MIN AT SEA LEVEL  
 INSULATION RESISTANCE: 5000 MEGOHMS MIN  
 CONTACT RESISTANCE: CENTER CONTACT - INITIAL 3 MILLIOHMS MAX, AFTER ENVIRONMENTAL NOT APPLICABLE  
 OUTER CONDUCTOR - INITIAL 2.0 MILLIOHMS MAX AFTER ENVIRONMENTAL 4 MILLIOHMS MAX  
 BRAID TO BODY - NOT APPLICABLE  
 CORONA LEVEL: 250 VOLTS MIN AT 70,000 FEET  
 INSERTION LOSS: NOT APPLICABLE  
 RF LEAKAGE: NOT APPLICABLE  
 RF HIGH POTENTIAL WITHSTANDING VOLTAGE: 670 VRMS MIN AT 4 AND 7 MHz

MECHANICAL:

ENGAGE/DISENGAGE TORQUE: 2 INCH POUNDS MAX  
 MATING TORQUE: 7-10 INCH POUNDS  
 COUPLING PROOF TORQUE: NOT APPLICABLE  
 COUPLING NUT RETENTION: NOT APPLICABLE  
 CONTACT RETENTION: 6 LBS MIN AXIAL FORCE  
 4 OZ-IN MIN RADIAL TORQUE  
 CABLE ACCEPTABILITY: NOT APPLICABLE  
 CABLE RETENTION: NOT APPLICABLE  
 DURABILITY: 500 CYCLES MIN

ENVIRONMENTAL:

(MEETS OR EXCEEDS THE APPLICABLE PARAGRAPH OF MIL-PRF-39012)  
 THERMAL SHOCK: MIL-STD-202, METHOD 107, CONDITION B  
 OPERATING TEMPERATURE: -65°C TO 165°C  
 CORROSION: MIL-STD-202, METHOD 101, CONDITION B  
 SHOCK: MIL-STD-202, METHOD 213, CONDITION I  
 VIBRATION: MIL-STD-202, METHOD 204, CONDITION D  
 MOISTURE RESISTANCE: MIL-STD-202, METHOD 106



TYPICAL MICROSTRIP TOPSIDE LAYOUT  
 .059" THICK BOARD  
 FR4 BOARD  
 DOUBLE SIDED 1 OZ COPPER  
 FULL UNDERSIDE GROUND PLANE  
 ALL DIMENSIONS ARE REFERENCE  
 APPLICATIONS REQUIRE OPTIMIZATION

CUSTOMER DRAWING

THIS DRAWING TO BE INTERPRETED PER ASME Y 14.5M - 1994

"μSTATION"

COMPANY CONFIDENTIAL

TOLERANCE UNLESS OTHERWISE SPECIFIED		DRAWN BY	DATE
DECIMALS	mm	RJB	3-11-10
.XX	_____	CHECKED BY	DATE
.XXX	_____	CWW	3-16-10
MATL	_____	APPROVED BY	DATE
FINISH	_____	RELEASE DATE	3-16-10
		U/M INCH	SCALE 10:1



TITLE  
 JACK ASSEMBLY, SELF FIXTURING END LAUNCH, ROUND CONTACT, SMA, .059 BOARD THICKNESS

SHEET	DRAWING NO.
2 OF 2	C - 142-1701-841/850

2. ALL CONNECTOR TERMINALS ARE INTENDED TO BE SOLDERED TO CIRCUIT BOARD.