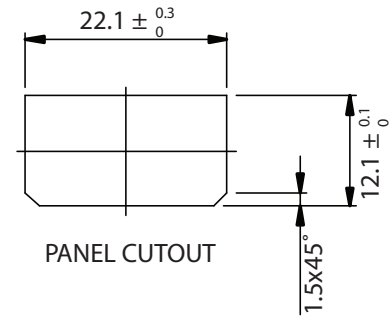
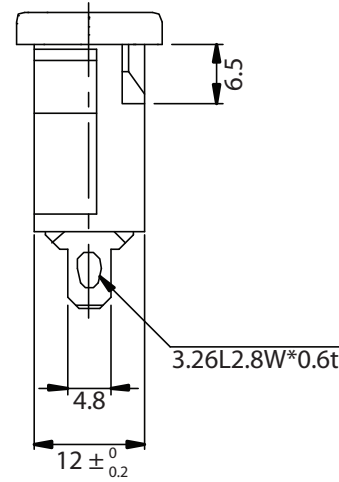
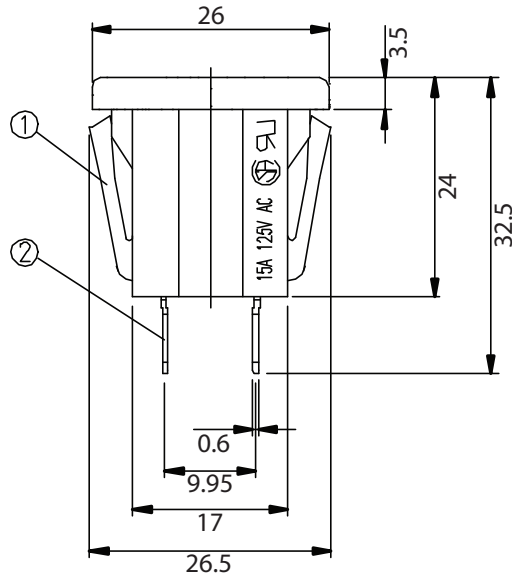
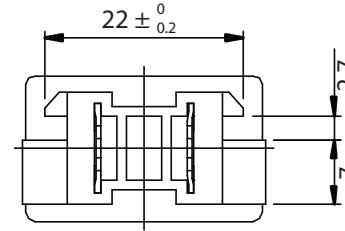
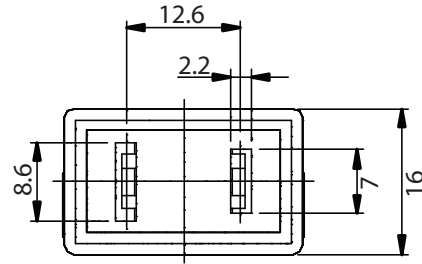


THESE DRAWINGS ARE THE PROPERTY OF QUALTEK ELECTRONICS AND NOT TO BE REPRODUCED FOR OR COMMUNICATED TO A THIRD PARTY WITHOUT THE EXPRESS WRITTEN PERMISSION OF AN OFFICER OF QUALTEK ELECTRONICS.

REVISION			
REV.	DESCRIPTION	DATE	APPROVED
B	RoHS Compliancy	06-01-06	DP



**CONTROLLED**

NOTES:

15A 125V AC  
 PANEL THICKNESS: 0.8~2.0mm  
 APPROVALS: UL, CSA  
 RoHS COMPLIANT

2	Soldering PIN(t) - 0.6mm Tin-Plated	2																								
1	Body Insulator PC 940A Black Color	1																								
<table border="1"> <thead> <tr> <th>Dim range (mm)</th> <th>Tolerance +/- (mm)</th> </tr> </thead> <tbody> <tr><td>0-1</td><td>0.15</td></tr> <tr><td>1-6</td><td>0.20</td></tr> <tr><td>6-18</td><td>0.30</td></tr> <tr><td>18-50</td><td>0.50</td></tr> <tr><td>50-120</td><td>0.70</td></tr> <tr><td>120-250</td><td>0.90</td></tr> <tr><td>250-500</td><td>1.20</td></tr> </tbody> </table>		Dim range (mm)	Tolerance +/- (mm)	0-1	0.15	1-6	0.20	6-18	0.30	18-50	0.50	50-120	0.70	120-250	0.90	250-500	1.20	<p><b>Qualtek Electronics Corp.</b>                  PPC DIVISION</p> <p>Part Number: <b>738W-CX2/02</b> <span style="border: 1px solid green; padding: 2px;">RoHS Compliant</span></p> <p>Description: <b>AC RECEPTACLE</b></p> <table border="1"> <thead> <tr> <th>UNIT: mm</th> <th>REV. B</th> </tr> </thead> <tbody> <tr> <td>Drawn / Date</td> <td>Checked / Date</td> </tr> <tr> <td>B.ZHANG 04-24-02</td> <td>04-24-02</td> </tr> <tr> <td>Approved / Date</td> <td>JJH / 04-24-02</td> </tr> </tbody> </table>	UNIT: mm	REV. B	Drawn / Date	Checked / Date	B.ZHANG 04-24-02	04-24-02	Approved / Date	JJH / 04-24-02
Dim range (mm)	Tolerance +/- (mm)																									
0-1	0.15																									
1-6	0.20																									
6-18	0.30																									
18-50	0.50																									
50-120	0.70																									
120-250	0.90																									
250-500	1.20																									
UNIT: mm	REV. B																									
Drawn / Date	Checked / Date																									
B.ZHANG 04-24-02	04-24-02																									
Approved / Date	JJH / 04-24-02																									