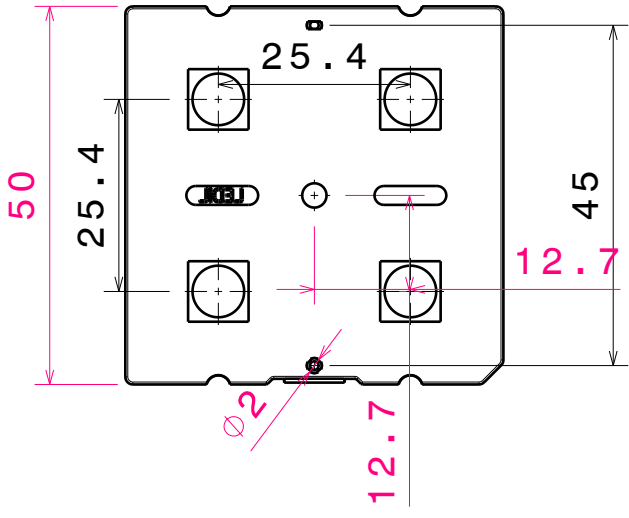
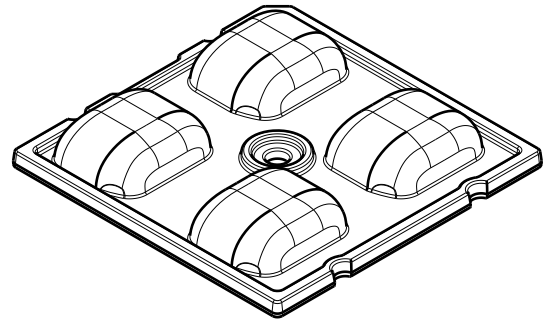


D C B A

4



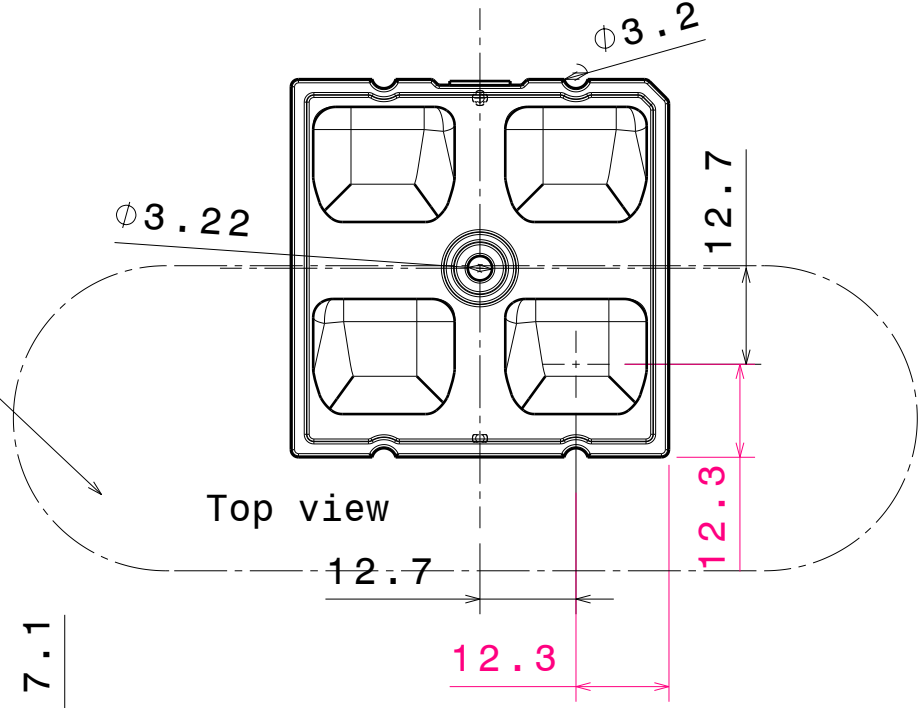
Bottom view



Isometric view

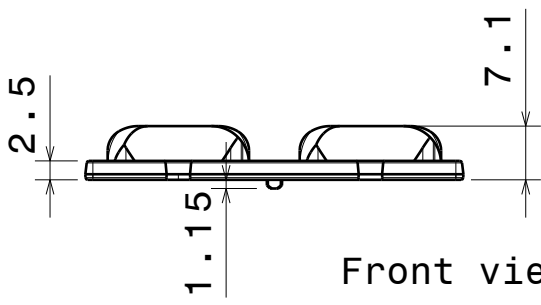
3

Beam Direction



Top view

2



Front view

4

3

2

INDEX	PART NO	DESCRIPTION	MATERIAL	COLOUR
1	C13299	STRADA-2X2-ME	PMMA 8N	TRANSPARENT

Tolerances if not otherwise shown
According to DIN ISO 2768-1
Linear measures:
Up to 30mm class M, otherwise class C.
According to DIN ISO 2768-2
Form and position: class L

LEDiL LediL Oy
Salorankatu 10
FIN 24240 SALO
Finland

THIRD ANGLE PROJECTION:

DRAWING TITLE
C13299_STRADA-2X2-ME

This drawing is the property of LEDiL Oy. It may not be reproduced, copied or communicated without a written agreement with LEDiL Oy."

SIZE	PART NUMBER
A4	C13299

SCALE	1:1	WEIGHT	SHEET	1/1
-------	-----	--------	-------	-----

1

1

D A