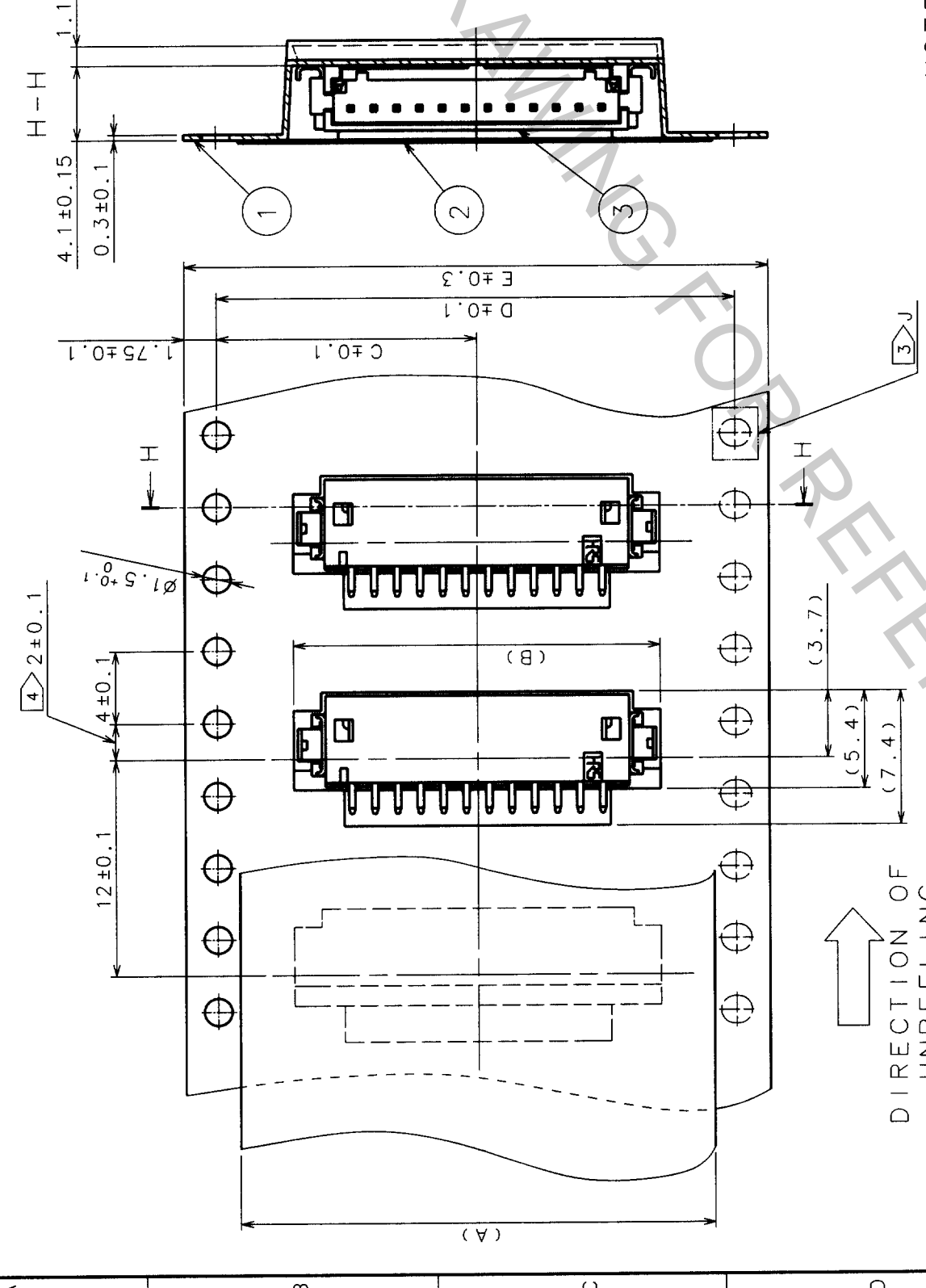
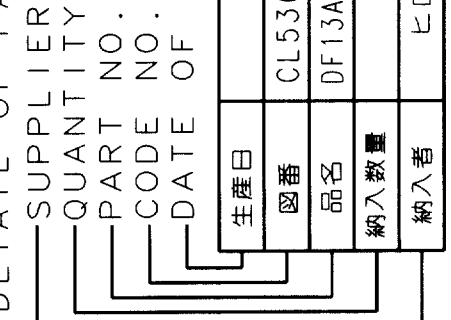


COUNT	DESCRIPTION OF REVISIONS	BY	CHKD	DATE	COUNT	DESCRIPTION OF REVISIONS	BY	CHKD	DATE
△					△				
△					△				
△					△				

CODE NO.	PART NO.	A	B	C	D	E	F
CL536-0301-8-51	DF13A-2P-1.25H(51)	13.5	7.6	7.5	/	16	16.4
CL536-0302-0-51	DF13A-3P-1.25H(51)	13.5	8.85	7.5	/	16	16.4
CL536-0303-3-51	DF13A-4P-1.25H(51)	21.5	10.1	11.5	/	24	24.4
CL536-0304-6-51	DF13A-5P-1.25H(51)	21.5	11.35	11.5	/	24	24.4
CL536-0305-9-51	DF13A-6P-1.25H(51)	21.5	12.6	11.5	/	24	24.4
CL536-0306-1-51	DF13A-7P-1.25H(51)	21.5	13.85	11.5	/	24	24.4
CL536-0307-4-51	DF13A-8P-1.25H(51)	21.5	15.1	11.5	/	24	24.4
CL536-0308-7-51	DF13A-9P-1.25H(51)	21.5	16.35	11.5	/	24	24.4
CL536-0309-0-51	DF13A-10P-1.25H(51)	21.5	17.6	11.5	/	24	24.4
CL536-0310-9-51	DF13A-11P-1.25H(51)	26	18.85	14.2	28.4	32	32.4
CL536-0311-1-51	DF13A-12P-1.25H(51)	26	20.1	14.2	28.4	32	32.4
CL536-0313-7-51	DF13A-14P-1.25H(51)	26	22.6	14.2	28.4	32	32.4
CL536-0314-0-51	DF13A-15P-1.25H(51)	37	23.85	20.2	40.4	44	44.4



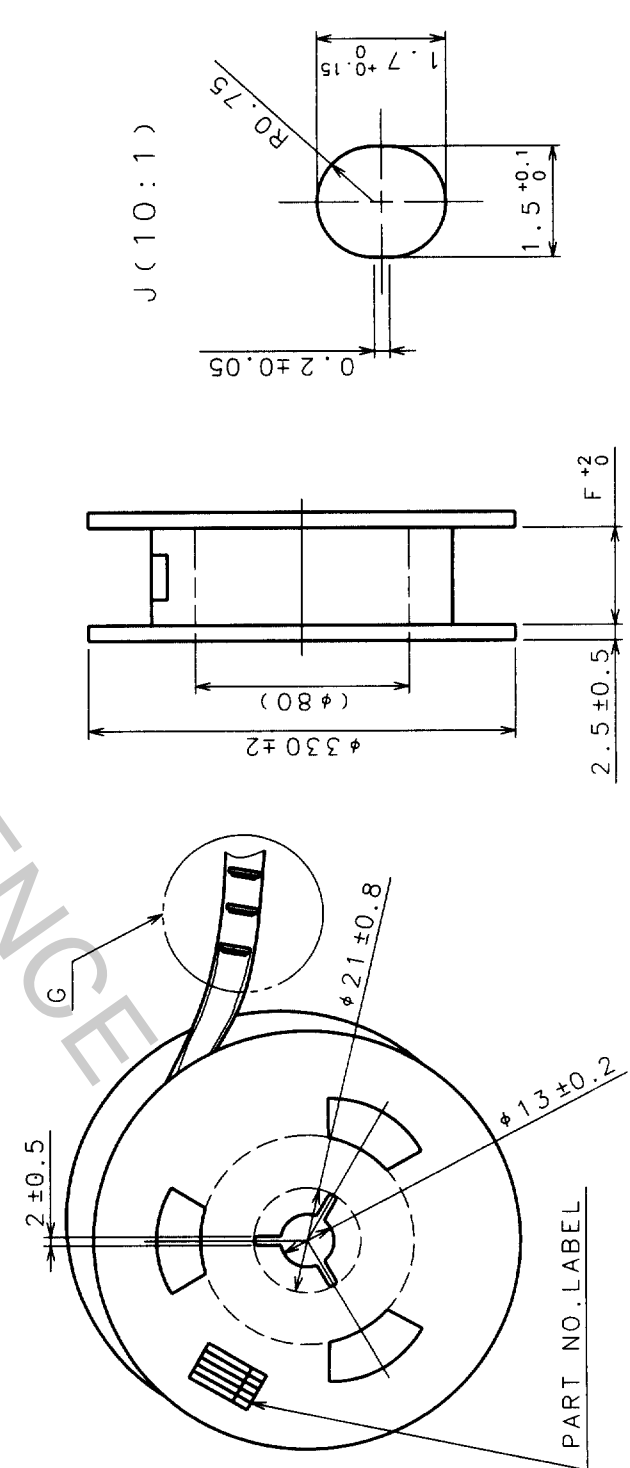
DETAIL OF PART NO. LABEL



生産日	年	月	日
函番	CL536-****-51		
品名	DF13A-P-1.25H(51)		
納入数量	1000個		
納入者	ヒロセ電機(株)		

NOTES 1: 1 REEL 1000 CONNECTORS.
 2: AT THE BEGINNING OF THE REEL, 30 COMPONENTS SHALL BE EMPTY. AT THE END OF THE REEL, 20 COMPONENTS SHALL BE EMPTY.
 3: WHEN THE TAPE WIDTH IS 32 OR 44mm, SPROCKET HOLES SHALL BE SET ON BOTH SIDES OF REEL AS SHOWN ON THIS DRAWING.
 4: WHEN THE TAPE WIDTH IS 44mm OR OVER, THE TOLERANCE SHALL BE 2±0.15.

STYLE AND DIMENSION OF REEL



2	POLYESTER (COVER TAPE)	CLEAR	FINISH, REMARKS	3	DF13A-P-1.25H(01)	MATERIAL	FINISH, REMARKS
1	PAN	CLEAR	FINISH, REMARKS				
NO.	MATERIAL	FINISH, REMARKS	NO.	MATERIAL	FINISH, REMARKS	APPROVED	RELEASED
CODE NO. (OLD)							
DRAWN		DESIGNED		CHECKED		APPROVED	
F. Asai		F. Asai		K. Hayama		K. Hayama	
98.6.23		98.6.23		98.6.25		98.6.25	
PART NO.		PART NO.		PART NO.		PART NO.	
EDC3-162444-02		EDC3-162444-02		EDC3-162444-02		EDC3-162444-02	
DRAWING NO.		DRAWING NO.		DRAWING NO.		DRAWING NO.	
FR:EE		FR:EE		FR:EE		FR:EE	
UNITS		UNITS		UNITS		UNITS	
mm		mm		mm		mm	
SCALE		SCALE		SCALE		SCALE	
FR:EE		FR:EE		FR:EE		FR:EE	
UNITS		UNITS		UNITS		UNITS	
mm		mm		mm		mm	
SCALE		SCALE		SCALE		SCALE	
FR:EE		FR:EE		FR:EE		FR:EE	
UNITS		UNITS		UNITS		UNITS	
mm		mm		mm		mm	

SCALE	FR:EE	UNITS	mm
DRAWING NO.	EDC3-162444-02	PART NO.	DF13A-P-1.25H(51)
CODE NO.	EDC3-162444-02	CODE NO.	EDC3-162444-02
UNITS	mm	UNITS	mm

PART NO. LABEL SHALL BE ACCORDANCE WITH TABLE. 1

HIROSE ELECTRIC CO.,LTD.

FORM NO. 229