

# R1LP0408D Series

4Mb Advanced LPSRAM (512-kword × 8-bit)

R10DS0104EJ0200  
Rev.2.00  
2012.5.30

## Description

The R1LP0408D Series is a family of 4-Mbit static RAMs organized 512-kword × 8-bit, fabricated by Renesas's high-performance CMOS and TFT technologies. The R1LP0408D Series has realized higher density, higher performance and low power consumption. The R1LP0408D Series offers low power standby power dissipation; therefore, it is suitable for battery backup systems. It is offered in 32-pin SOP and 32-pin TSOP.

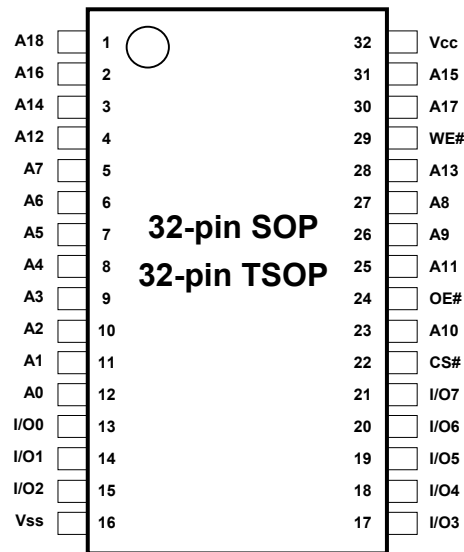
## Features

- Single 5V supply: 4.5V to 5.5V
- Access time: 55/70ns (max)
- Power dissipation:
  - Standby: 4μW (typ)
- Equal access and cycle times
- Common data input and output
  - Three state output
- Directly TTL compatible
  - All inputs and outputs
- Battery backup operation

## Part Name Information

Part Name	Access time	Temperature Range	Package	Shipping Container	Quantity
R1LP0408DSP-5SR#B*	55 ns	0 ~ +70°C	525-mil 32-pin plastic SOP	Tube	Max. 25pcs/Tube Max. 225pcs/Inner Bag Max. 900pcs/Inner Box
R1LP0408DSP-5SI#B*		-40 ~ +85°C			
R1LP0408DSP-7SR#B*	70 ns	0 ~ +70°C			
R1LP0408DSP-7SI#B*		-40 ~ +85°C			
R1LP0408DSP-5SR#S*	55 ns	0 ~ +70°C	PRSP0032DF-A (032P2S-A)	Embossed tape	1000pcs/Reel
R1LP0408DSP-5SI#S*		-40 ~ +85°C			
R1LP0408DSP-7SR#S*	70 ns	0 ~ +70°C			
R1LP0408DSP-7SI#S*		-40 ~ +85°C			
R1LP0408DSB-5SR#B*	55 ns	0 ~ +70°C	400-mil 32-pin plastic TSOP(II)	Tray	Max. 117pcs/Tray Max. 936pcs/Inner Box
R1LP0408DSB-5SI#B*		-40 ~ +85°C			
R1LP0408DSB-7SR#B*	70 ns	0 ~ +70°C			
R1LP0408DSB-7SI#B*		-40 ~ +85°C			
R1LP0408DSB-5SR#S*	55 ns	0 ~ +70°C	PTSB0032DC-A (032PTY-A)	Embossed tape	1000pcs/Reel
R1LP0408DSB-5SI#S*		-40 ~ +85°C			
R1LP0408DSB-7SR#S*	70 ns	0 ~ +70°C			
R1LP0408DSB-7SI#S*		-40 ~ +85°C			

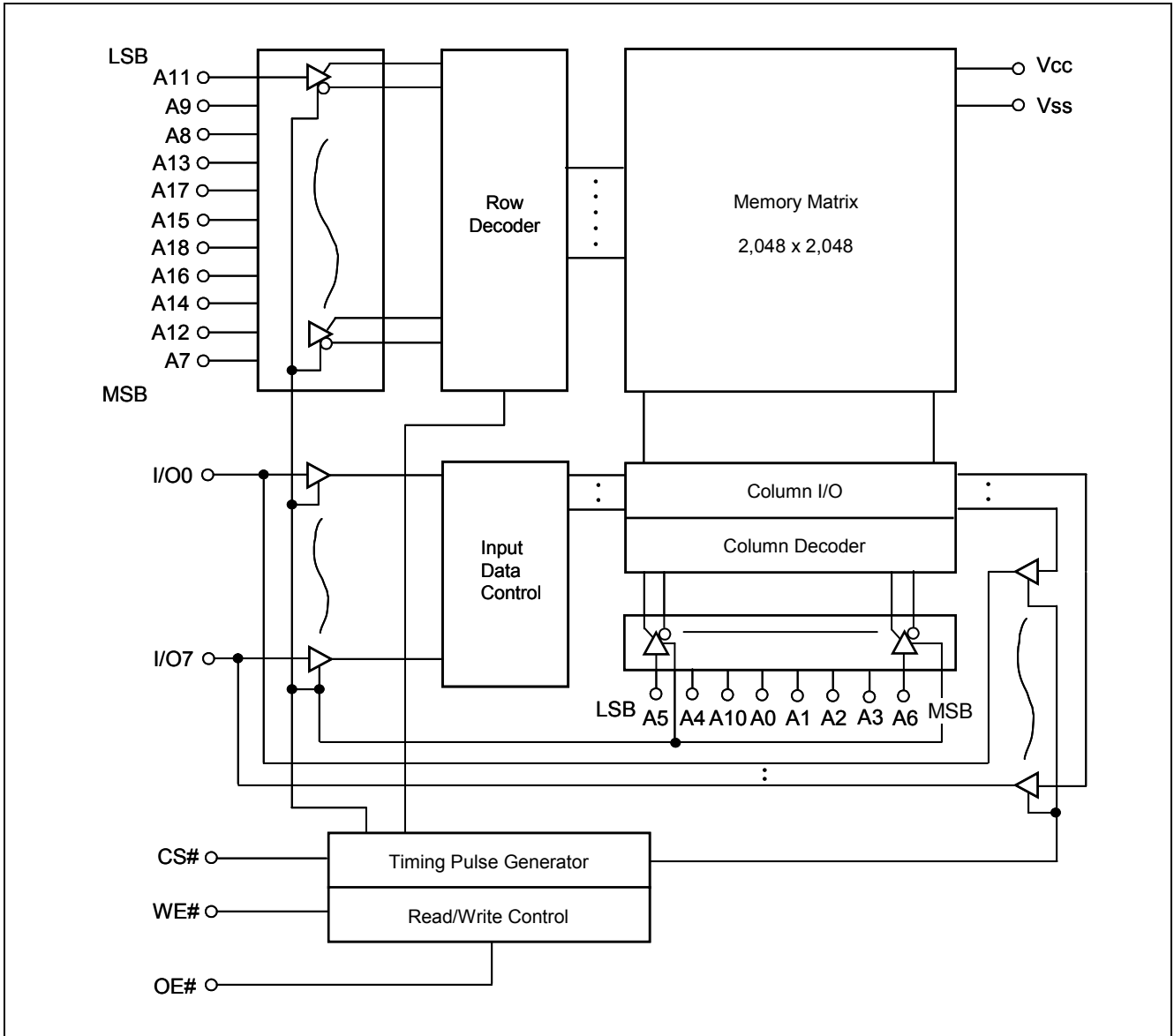
## Pin Arrangement



## Pin Description

Pin name	Function
Vcc	Power supply
Vss	Ground
A0 to A18	Address input
I/O0 to I/O7	Data input/output
CS#	Chip select
WE#	Write enable
OE#	Output enable

### Block Diagram



## Operation Table

WE#	CS#	OE#	Mode	Vcc current	I/O0 to I/O7	Ref. cycle
x	H	x	Not selected	$I_{SB}, I_{SB1}$	High-Z	—
H	L	H	Output disable	$I_{CC}$	High-Z	—
H	L	L	Read	$I_{CC}$	Dout	Read cycle
L	L	H	Write	$I_{CC}$	Din	Write cycle (1)
L	L	L	Write	$I_{CC}$	Din	Write cycle (2)

Note 1. H:  $V_{IH}$  L:  $V_{IL}$  x:  $V_{IH}$  or  $V_{IL}$

## Absolute Maximum Ratings

Parameter	Symbol	Value	unit
Power supply voltage relative to Vss	Vcc	-0.5 to +7.0	V
Terminal voltage on any pin relative to Vss	$V_T$	$-0.5^{*1}$ to $V_{CC}+0.3^{*2}$	V
Power dissipation	$P_T$	0.7	W
Operation temperature	$T_{opr}^{*3}$	R Ver.	0 to +70
		I Ver.	-40 to +85
Storage temperature range	Tstg	-65 to 150	°C
Storage temperature range under bias	Tbias <sup>*3</sup>	R Ver.	0 to +70
		I Ver.	-40 to +85

- Note
1. -3.0V for pulse  $\leq$  30ns (full width at half maximum)
  2. Maximum voltage is +7.0V.
  3. Ambient temperature range depends on R/I-version. Please see table on page 1.

## DC Operating Conditions

Parameter	Symbol	Min.	Typ.	Max.	Unit	Note	
Supply voltage	V <sub>CC</sub>	4.5	5.0	5.5	V		
	V <sub>SS</sub>	0	0	0	V		
Input high voltage	V <sub>IH</sub>	2.2	—	V <sub>CC</sub> +0.3	V		
Input low voltage	V <sub>IL</sub>	-0.3	—	0.8	V	1	
Ambient temperature range	R Ver.	T <sub>a</sub>	0	—	+70	°C	2
	I Ver.		-40	—	+85	°C	2

- Note 1. -3.0V for pulse ≤ 30ns (full width at half maximum)  
 2. Ambient temperature range depends on R/I-version. Please see table on page 1.

## DC Characteristics

Parameter	Symbol	Min.	Typ.	Max.	Unit	Test conditions	
Input leakage current	I <sub>LI</sub>	—	—	1	μA	V <sub>in</sub> = V <sub>SS</sub> to V <sub>CC</sub>	
Output leakage current	I <sub>LO</sub>	—	—	1	μA	CS# = V <sub>IH</sub> or OE# = V <sub>IH</sub> , V <sub>I/O</sub> = V <sub>SS</sub> to V <sub>CC</sub>	
Operating current	I <sub>CC</sub>	—	5 <sup>*1</sup>	10	mA	CS# = V <sub>IL</sub> , Others = V <sub>IH</sub> /V <sub>IL</sub> , I <sub>I/O</sub> = 0mA	
Average operating current	I <sub>CC1</sub>	—	15 <sup>*1</sup>	25	mA	Min. cycle, duty = 100%, I <sub>I/O</sub> = 0mA CS# = V <sub>IL</sub> , Others = V <sub>IH</sub> /V <sub>IL</sub>	
	I <sub>CC2</sub>	—	3 <sup>*1</sup>	5	mA	Cycle = 1μs, duty = 100%, I <sub>I/O</sub> = 0mA CS# ≤ 0.2V, V <sub>IH</sub> ≥ V <sub>CC</sub> -0.2V, V <sub>IL</sub> ≤ 0.2V	
Standby current	I <sub>SB</sub>	—	0.1 <sup>*1</sup>	0.5	mA	CS# = V <sub>IH</sub> , Others = V <sub>SS</sub> to V <sub>CC</sub>	
Standby current	I <sub>SB1</sub>	—	0.8 <sup>*1</sup>	2.5	μA	~+25°C	V <sub>in</sub> = V <sub>SS</sub> to V <sub>CC</sub> , CS# ≥ V <sub>CC</sub> -0.2V
		—	1 <sup>*2</sup>	3	μA	~+40°C	
		—	—	8	μA	~+70°C	
		—	—	10	μA	~+85°C	
Output high voltage	V <sub>OH</sub>	2.4	—	—	V	I <sub>OH</sub> = -1mA	
	V <sub>OH2</sub>	V <sub>CC</sub> -0.5	—	—	V	I <sub>OH</sub> = -0.1mA	
Output low voltage	V <sub>OL</sub>	—	—	0.4	V	I <sub>OL</sub> = 2.1mA	

- Note 1. Typical parameter indicates the value for the center of distribution at 5.0V (T<sub>a</sub>=25°C), and not 100% tested.  
 2. Typical parameter indicates the value for the center of distribution at 5.0V (T<sub>a</sub>=40°C), and not 100% tested.

## Capacitance

(V<sub>CC</sub> = 4.5V ~ 5.5V, f = 1MHz, T<sub>a</sub> = 0 ~ +70°C / -40 ~ +85°C<sup>\*2</sup>)

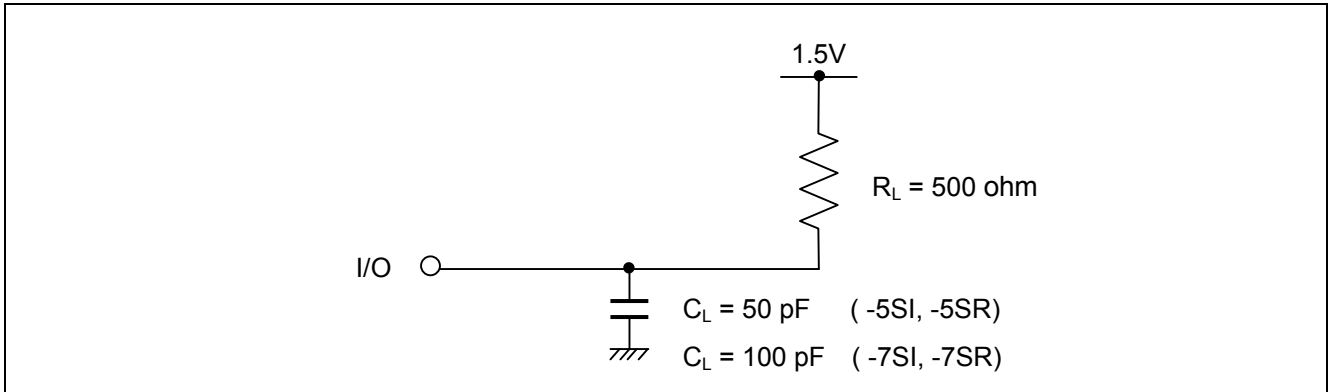
Parameter	Symbol	Min.	Typ.	Max.	Unit	Test conditions	Note
Input capacitance	C <sub>in</sub>	—	—	8	pF	V <sub>in</sub> = 0V	1
Input / output capacitance	C <sub>I/O</sub>	—	—	10	pF	V <sub>I/O</sub> = 0V	1

- Note 1. This parameter is sampled and not 100% tested.  
 2. Ambient temperature range depends on R/I-version. Please see table on page 1.

## AC Characteristics

Test Conditions ( $V_{CC} = 4.5V \sim 5.5V$ ,  $T_a = 0 \sim +70^{\circ}C / -40 \sim +85^{\circ}C^{*1}$ )

- Input pulse levels:  $V_{IL} = 0.4V$ ,  $V_{IH} = 2.4V$
- Input rise and fall time: 5ns
- Input and output timing reference level: 1.5V
- Output load: See figures (Including scope and jig)



Note 1. Ambient temperature range depends on R/I-version. Please see table on page 1.

## Read Cycle

Parameter	Symbol	R1LP0408DS*-5S*		R1LP0408DS*-7S*		Unit	Note
		Min.	Max.	Min.	Max.		
Read cycle time	t <sub>RC</sub>	55	—	70	—	ns	
Address access time	t <sub>AA</sub>	—	55	—	70	ns	
Chip select access time	t <sub>ACS</sub>	—	55	—	70	ns	
Output enable to output valid	t <sub>OE</sub>	—	25	—	35	ns	
Chip select to output in low-Z	t <sub>CLZ</sub>	10	—	10	—	ns	2
Output enable to output in low-Z	t <sub>OLZ</sub>	5	—	5	—	ns	2
Chip deselect to output in high-Z	t <sub>CHZ</sub>	0	20	0	25	ns	1,2
Output disable to output in high-Z	t <sub>OHZ</sub>	0	20	0	25	ns	1,2
Output hold from address change	t <sub>OH</sub>	10	—	10	—	ns	

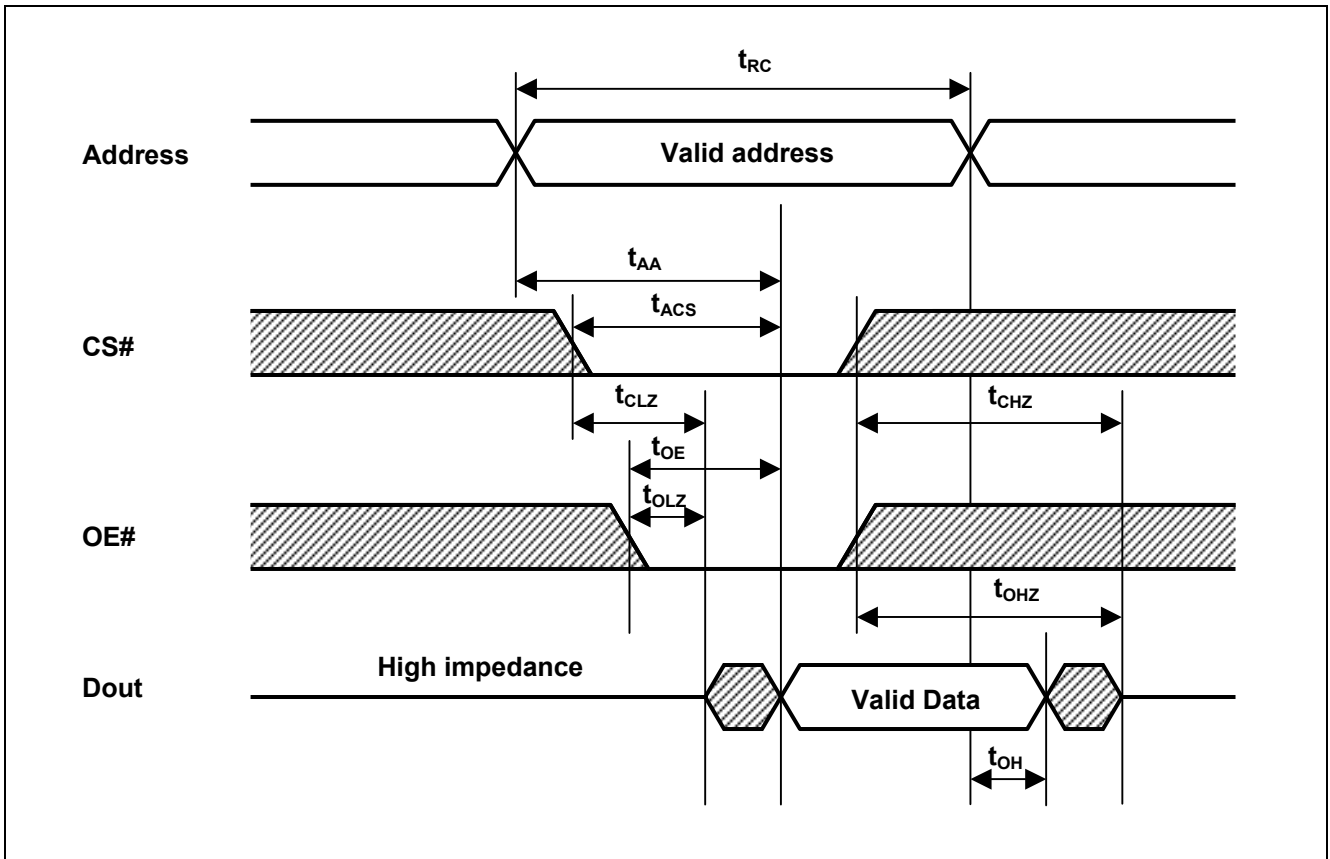
## Write Cycle

Parameter	Symbol	R1LP0408DS*-5S*		R1LP0408DS*-7S*		Unit	Note
		Min.	Max.	Min.	Max.		
Write cycle time	t <sub>WC</sub>	55	—	70	—	ns	
Chip select to end of write	t <sub>CW</sub>	50	—	60	—	ns	4
Address setup time	t <sub>AS</sub>	0	—	0	—	ns	5
Address valid to end of write	t <sub>AW</sub>	50	—	60	—	ns	
Write pulse width	t <sub>WP</sub>	40	—	50	—	ns	3,12
Write recovery time	t <sub>WR</sub>	0	—	0	—	ns	6
Write to output in high-Z	t <sub>WHZ</sub>	0	20	0	25	ns	1,2,7
Data to write time overlap	t <sub>DW</sub>	25	—	30	—	ns	
Data hold from write time	t <sub>DH</sub>	0	—	0	—	ns	
Output enable from end of write	t <sub>OW</sub>	5	—	5	—	ns	2
Output disable to output in high-Z	t <sub>OHZ</sub>	0	20	0	25	ns	1,2,7

- Note
- t<sub>CHZ</sub>, t<sub>OHZ</sub> and t<sub>WHZ</sub> are defined as the time at which the outputs achieve the open circuit conditions and are not referred to output voltage levels.
  - This parameter is sampled and not 100% tested.
  - A write occurs during the overlap (t<sub>WP</sub>) of a low CS# and a low WE#.  
A write begins at the later transition of CS# going low or WE# going low.  
A write ends at the earlier transition of CS# going high or WE# going high.  
t<sub>WP</sub> is measured from the beginning of write to the end of write.
  - t<sub>CW</sub> is measured from CS# going low to end of write.
  - t<sub>AS</sub> is measured the address valid to the beginning of write.
  - t<sub>WR</sub> is measured from the earlier of WE# or CS# going high to the end of write cycle.
  - During this period, I/O pins are in the output state so that the input signals of the opposite phase to the outputs must not be applied.
  - If the CS# low transition occurs simultaneously with the WE# low transition or after the WE# transition, the output remain in a high impedance state.
  - Dout is the same phase of the write data of this write cycle.
  - Dout is the read data of next address.
  - If CS# is low during this period, I/O pins are in the output state. Therefore, the input signals of the opposite phase to the outputs must not be applied to them.
  - In the write cycle with OE# low fixed, t<sub>WP</sub> must satisfy the following equation to avoid a problem of data bus contention.  
t<sub>WP</sub> ≥ t<sub>DW</sub> min + t<sub>WHZ</sub> max

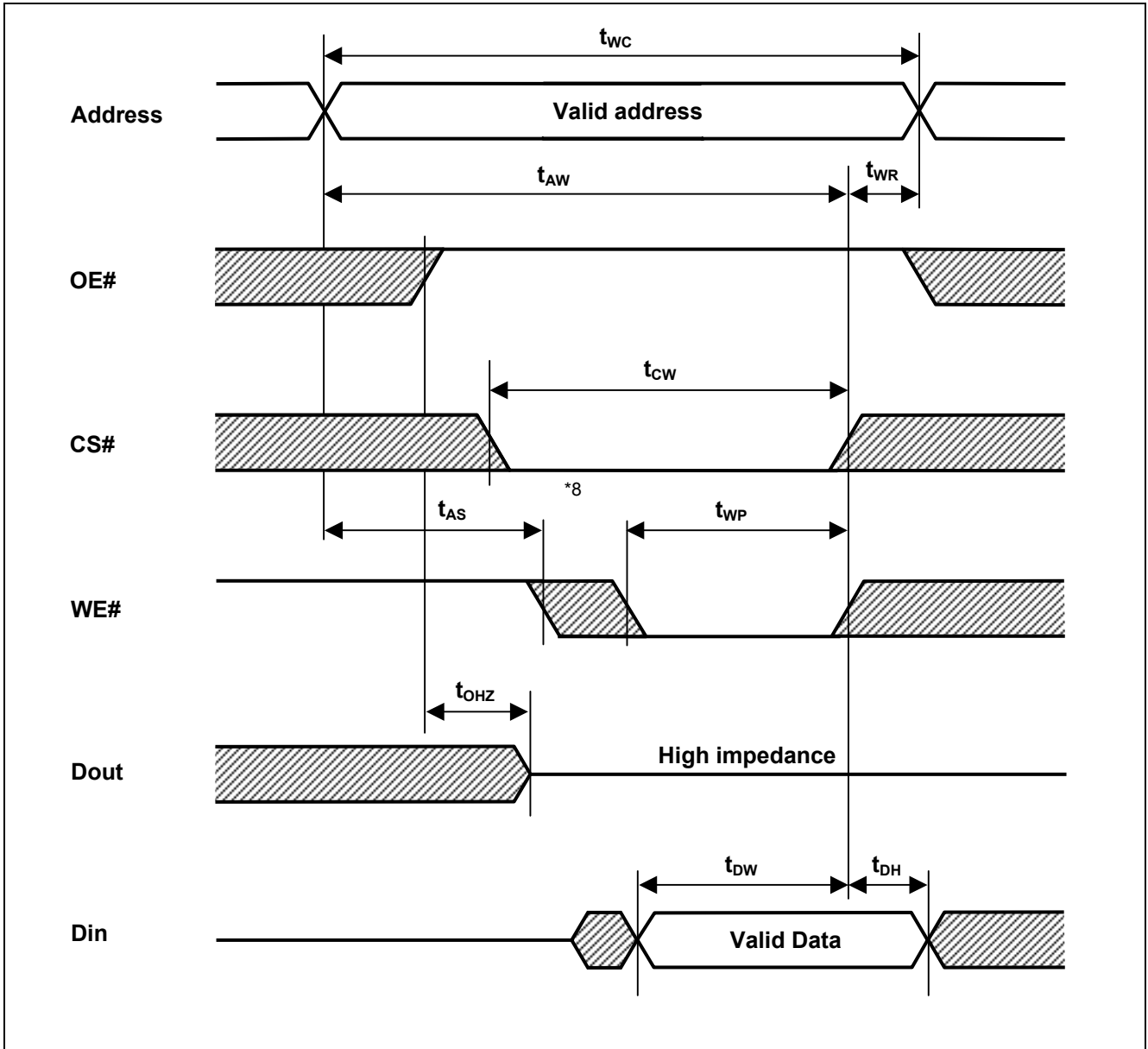
## Timing Waveforms

Read Cycle (WE# = V<sub>IH</sub>)

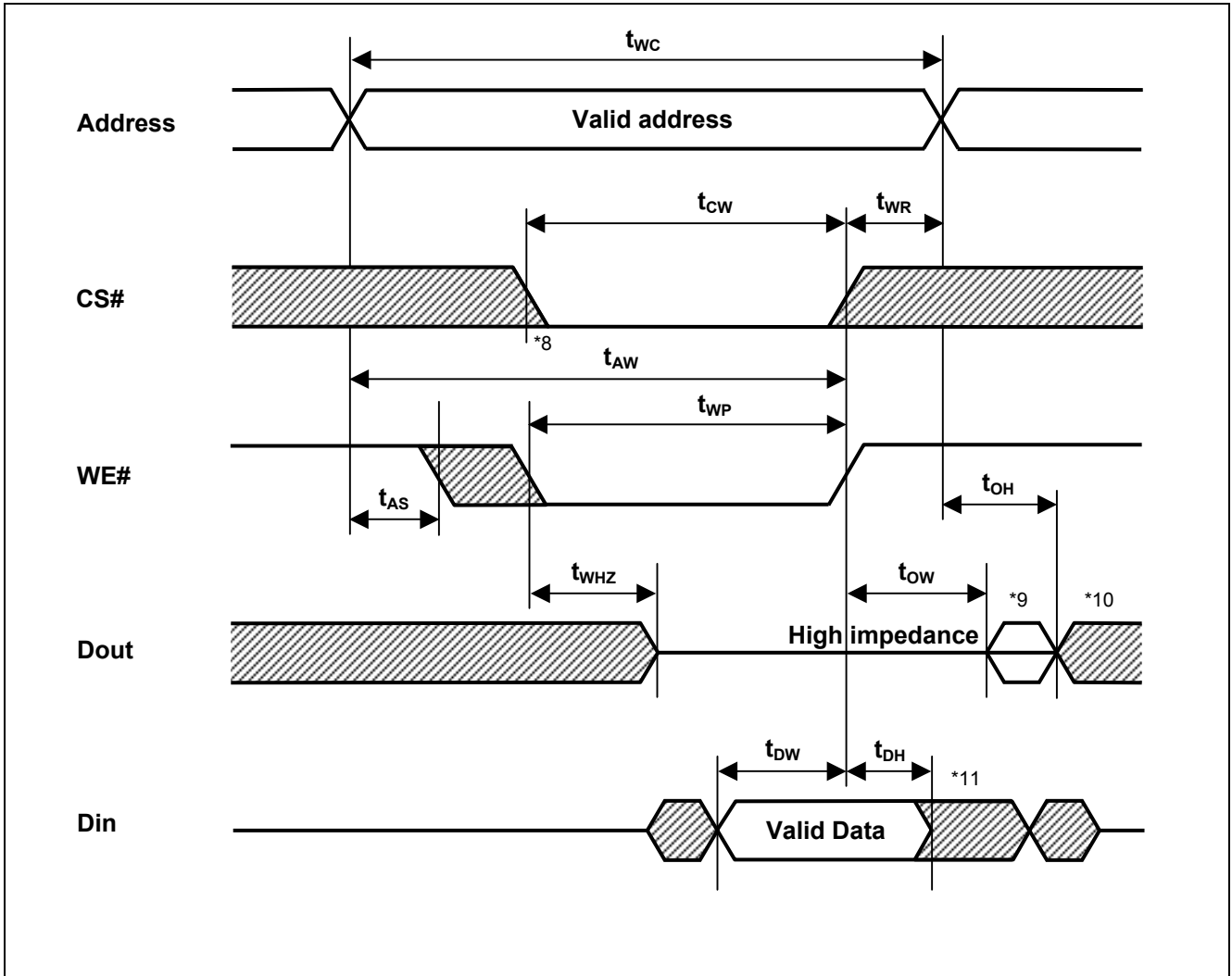




Write Cycle (1) (OE# CLOCK)



Write Cycle (2) (OE# Low Fixed)

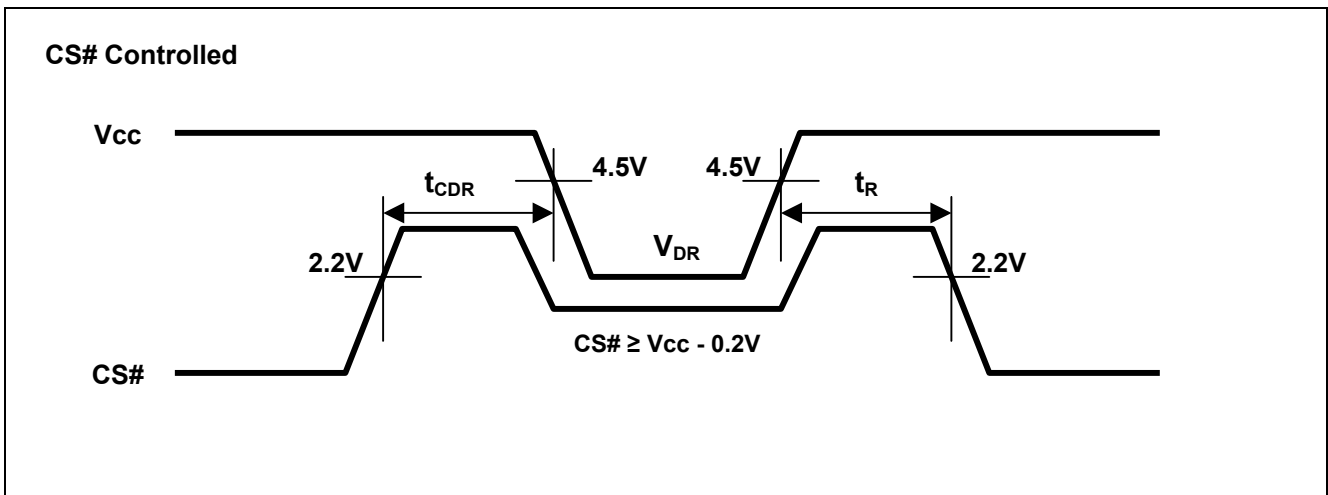


Low Vcc Data Retention Characteristics

Parameter	Symbol	Min.	Typ.	Max.	Unit	Test conditions <sup>*3</sup>	
V <sub>CC</sub> for data retention	V <sub>DR</sub>	2.0	—	5.5	V	V <sub>in</sub> ≥ 0V, CS# ≥ V <sub>CC</sub> -0.2V	
Data retention current	I <sub>CCDR</sub>	—	0.8 <sup>*1</sup>	2.5	μA	~+25°C	V <sub>CC</sub> =3.0V, V <sub>in</sub> ≥ 0V, CS# ≥ V <sub>CC</sub> -0.2V
		—	1 <sup>*2</sup>	3	μA	~+40°C	
		—	—	8	μA	~+70°C	
		—	—	10	μA	~+85°C	
Chip deselect time to data retention	t <sub>CDR</sub>	0	—	—	ns	See retention waveform.	
Operation recovery time	t <sub>R</sub>	5	—	—	ms		

- Note
1. Typical parameter indicates the value for the center of distribution at 3.0V (Ta=25°C), and not 100% tested.
  2. Typical parameter indicates the value for the center of distribution at 3.0V (Ta=40°C), and not 100% tested.
  3. CS# controls address buffer, WE# buffer, OE# buffer and Din buffer. If data retention mode, V<sub>in</sub> levels (address, WE#, OE#, I/O) can be in the high impedance state.

Low Vcc Data Retention Timing Waveforms



Revision History	R1LP0408D Series Data Sheet
------------------	-----------------------------

Rev.	Date	Description	
		Page	Summary
1.00	2012.4.13	—	First Edition issued (SOP package)
2.00	2012.5.30	P.1	Add TSOP package to Part Name Information

## Notice

1. Descriptions of circuits, software and other related information in this document are provided only to illustrate the operation of semiconductor products and application examples. You are fully responsible for the incorporation of these circuits, software, and information in the design of your equipment. Renesas Electronics assumes no responsibility for any losses incurred by you or third parties arising from the use of these circuits, software, or information.
  2. Renesas Electronics has used reasonable care in preparing the information included in this document, but Renesas Electronics does not warrant that such information is error free. Renesas Electronics assumes no liability whatsoever for any damages incurred by you resulting from errors in or omissions from the information included herein.
  3. Renesas Electronics does not assume any liability for infringement of patents, copyrights, or other intellectual property rights of third parties by or arising from the use of Renesas Electronics products or technical information described in this document. No license, express, implied or otherwise, is granted hereby under any patents, copyrights or other intellectual property rights of Renesas Electronics or others.
  4. You should not alter, modify, copy, or otherwise misappropriate any Renesas Electronics product, whether in whole or in part. Renesas Electronics assumes no responsibility for any losses incurred by you or third parties arising from such alteration, modification, copy or otherwise misappropriation of Renesas Electronics product.
  5. Renesas Electronics products are classified according to the following two quality grades: "Standard" and "High Quality". The recommended applications for each Renesas Electronics product depends on the product's quality grade, as indicated below.  
"Standard": Computers; office equipment; communications equipment; test and measurement equipment; audio and visual equipment; home electronic appliances; machine tools; personal electronic equipment; and industrial robots etc.  
"High Quality": Transportation equipment (automobiles, trains, ships, etc.); traffic control systems; anti-disaster systems; anti-crime systems; and safety equipment etc.  
Renesas Electronics products are neither intended nor authorized for use in products or systems that may pose a direct threat to human life or bodily injury (artificial life support devices or systems, surgical implantations etc.), or may cause serious property damages (nuclear reactor control systems, military equipment etc.). You must check the quality grade of each Renesas Electronics product before using it in a particular application. You may not use any Renesas Electronics product for any application for which it is not intended. Renesas Electronics shall not be in any way liable for any damages or losses incurred by you or third parties arising from the use of any Renesas Electronics product for which the product is not intended by Renesas Electronics.
  6. You should use the Renesas Electronics products described in this document within the range specified by Renesas Electronics, especially with respect to the maximum rating, operating supply voltage range, movement power voltage range, heat radiation characteristics, installation and other product characteristics. Renesas Electronics shall have no liability for malfunctions or damages arising out of the use of Renesas Electronics products beyond such specified ranges.
  7. Although Renesas Electronics endeavors to improve the quality and reliability of its products, semiconductor products have specific characteristics such as the occurrence of failure at a certain rate and malfunctions under certain use conditions. Further, Renesas Electronics products are not subject to radiation resistance design. Please be sure to implement safety measures to guard them against the possibility of physical injury, and injury or damage caused by fire in the event of the failure of a Renesas Electronics product, such as safety design for hardware and software including but not limited to redundancy, fire control and malfunction prevention, appropriate treatment for aging degradation or any other appropriate measures. Because the evaluation of microcomputer software alone is very difficult, please evaluate the safety of the final products or systems manufactured by you.
  8. Please contact a Renesas Electronics sales office for details as to environmental matters such as the environmental compatibility of each Renesas Electronics product. Please use Renesas Electronics products in compliance with all applicable laws and regulations that regulate the inclusion or use of controlled substances, including without limitation, the EU RoHS Directive. Renesas Electronics assumes no liability for damages or losses occurring as a result of your noncompliance with applicable laws and regulations.
  9. Renesas Electronics products and technology may not be used for or incorporated into any products or systems whose manufacture, use, or sale is prohibited under any applicable domestic or foreign laws or regulations. You should not use Renesas Electronics products or technology described in this document for any purpose relating to military applications or use by the military, including but not limited to the development of weapons of mass destruction. When exporting the Renesas Electronics products or technology described in this document, you should comply with the applicable export control laws and regulations and follow the procedures required by such laws and regulations.
  10. It is the responsibility of the buyer or distributor of Renesas Electronics products, who distributes, disposes of, or otherwise places the product with a third party, to notify such third party in advance of the contents and conditions set forth in this document, Renesas Electronics assumes no responsibility for any losses incurred by you or third parties as a result of unauthorized use of Renesas Electronics products.
  11. This document may not be reproduced or duplicated in any form, in whole or in part, without prior written consent of Renesas Electronics.
  12. Please contact a Renesas Electronics sales office if you have any questions regarding the information contained in this document or Renesas Electronics products, or if you have any other inquiries.
- (Note 1) "Renesas Electronics" as used in this document means Renesas Electronics Corporation and also includes its majority-owned subsidiaries.  
(Note 2) "Renesas Electronics product(s)" means any product developed or manufactured by or for Renesas Electronics.



### SALES OFFICES

Renesas Electronics Corporation

<http://www.renesas.com>

Refer to "<http://www.renesas.com/>" for the latest and detailed information.

**Renesas Electronics America Inc.**  
2880 Scott Boulevard Santa Clara, CA 95050-2554, U.S.A.  
Tel: +1-408-588-6000, Fax: +1-408-588-6130

**Renesas Electronics Canada Limited**  
1101 Nicholson Road, Newmarket, Ontario L3Y 9C3, Canada  
Tel: +1-905-898-5441, Fax: +1-905-898-3220

**Renesas Electronics Europe Limited**  
Dukes Meadow, Millboard Road, Bourne End, Buckinghamshire, SL8 5FH, U.K.  
Tel: +44-1628-585-100, Fax: +44-1628-585-900

**Renesas Electronics Europe GmbH**  
Arcadiastrasse 10, 40472 Düsseldorf, Germany  
Tel: +49-211-65030, Fax: +49-211-6503-1327

**Renesas Electronics (China) Co., Ltd.**  
7th Floor, Quantum Plaza, No.27 ZhiChunLu Haidian District, Beijing 100083, P.R.China  
Tel: +86-10-8235-1155, Fax: +86-10-8235-7679

**Renesas Electronics (Shanghai) Co., Ltd.**  
Unit 204, 205, AZIA Center, No.1233 Lujiazui Ring Rd., Pudong District, Shanghai 200120, China  
Tel: +86-21-5877-1818, Fax: +86-21-6887-7858 / -7898

**Renesas Electronics Hong Kong Limited**  
Unit 1601-1613, 16/F., Tower 2, Grand Century Place, 193 Prince Edward Road West, Mongkok, Kowloon, Hong Kong  
Tel: +852-2886-9318, Fax: +852 2886-9022/9044

**Renesas Electronics Taiwan Co., Ltd.**  
13F, No. 363, Fu Shing North Road, Taipei, Taiwan  
Tel: +886-2-8175-9600, Fax: +886 2-8175-9670

**Renesas Electronics Singapore Pte. Ltd.**  
1 HarbourFront Avenue, #06-10, Keppel Bay Tower, Singapore 098632  
Tel: +65-6213-0200, Fax: +65-6276-8001

**Renesas Electronics Malaysia Sdn.Bhd.**  
Unit 906, Block B, Menara Amcorp, Amcorp Trade Centre, No. 18, Jln Persiaran Barat, 46050 Petaling Jaya, Selangor Darul Ehsan, Malaysia  
Tel: +60-3-7955-3390, Fax: +60-3-7955-9510

**Renesas Electronics Korea Co., Ltd.**  
11F., Samik Laved or Bldg., 720-2 Yeoksam-Dong, Kangnam-Ku, Seoul 135-080, Korea  
Tel: +82-2-558-3737, Fax: +82-2-558-5141