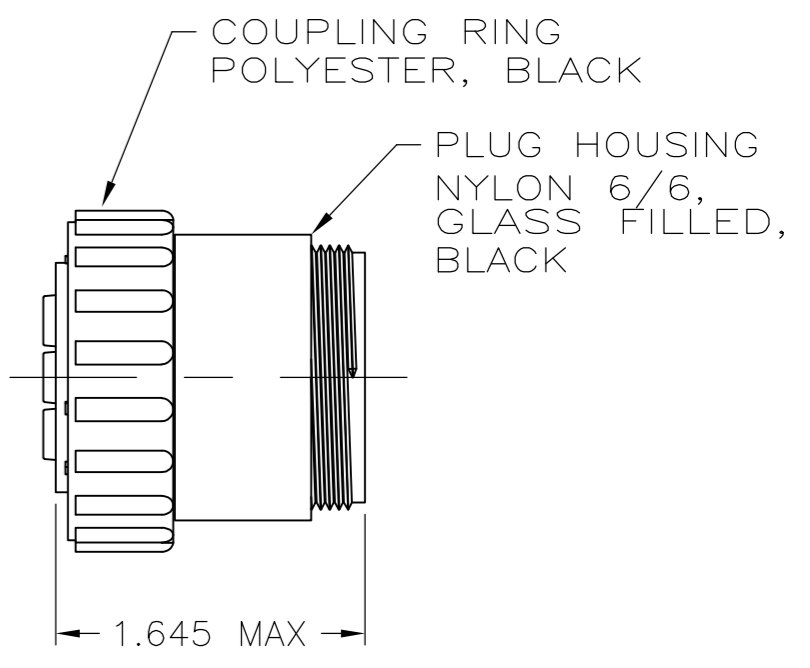
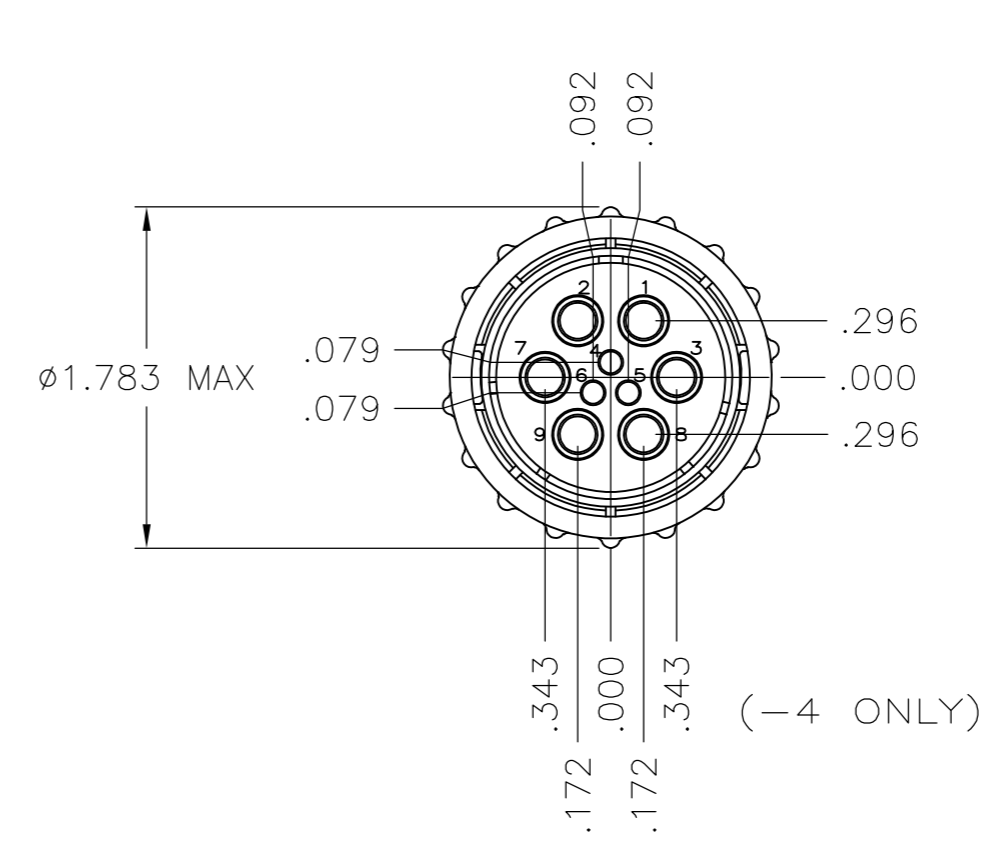
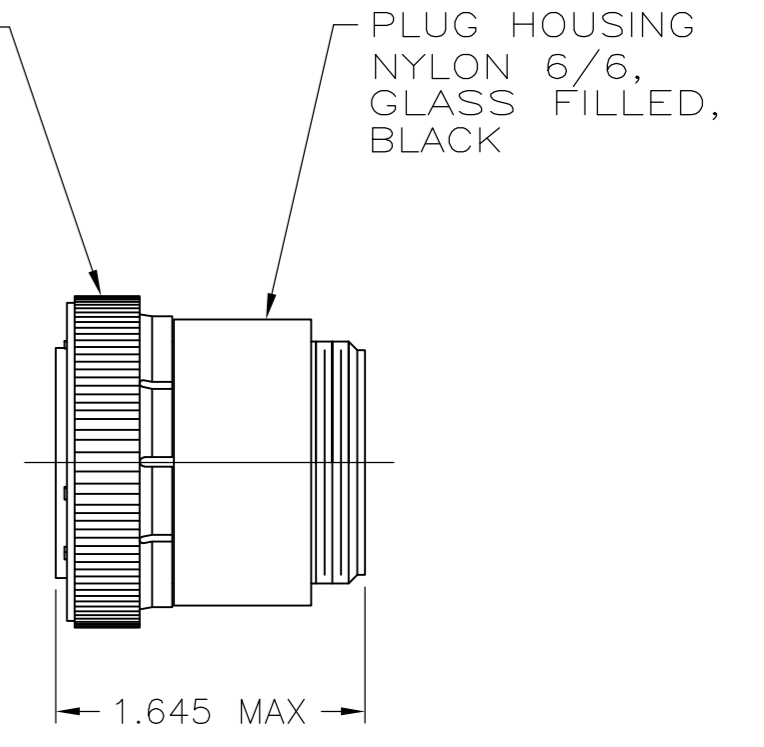
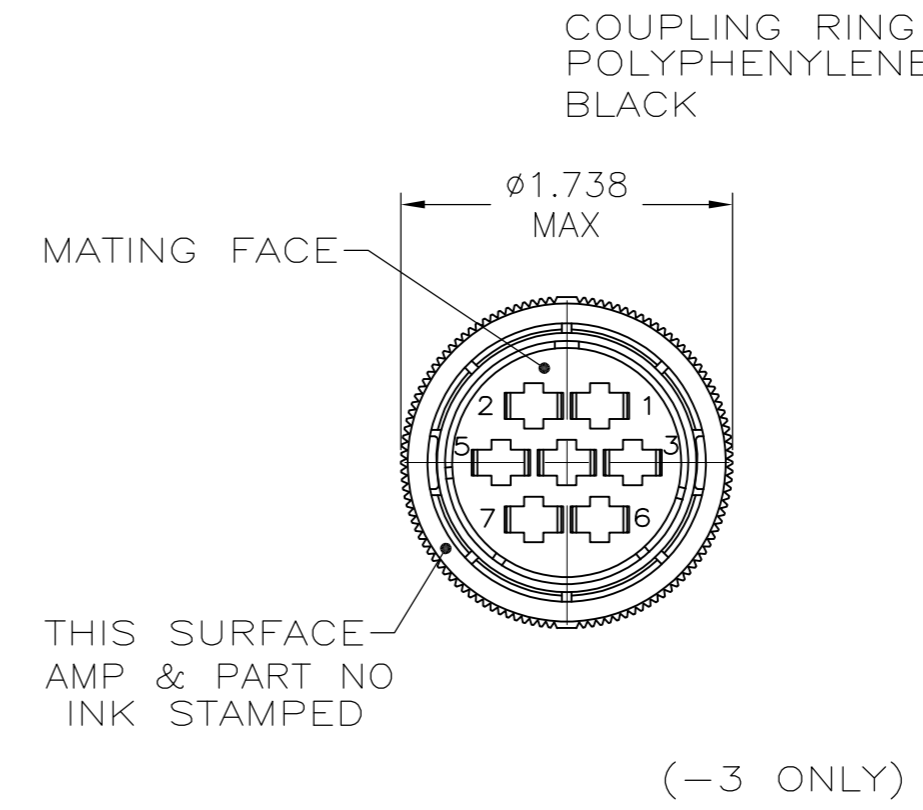
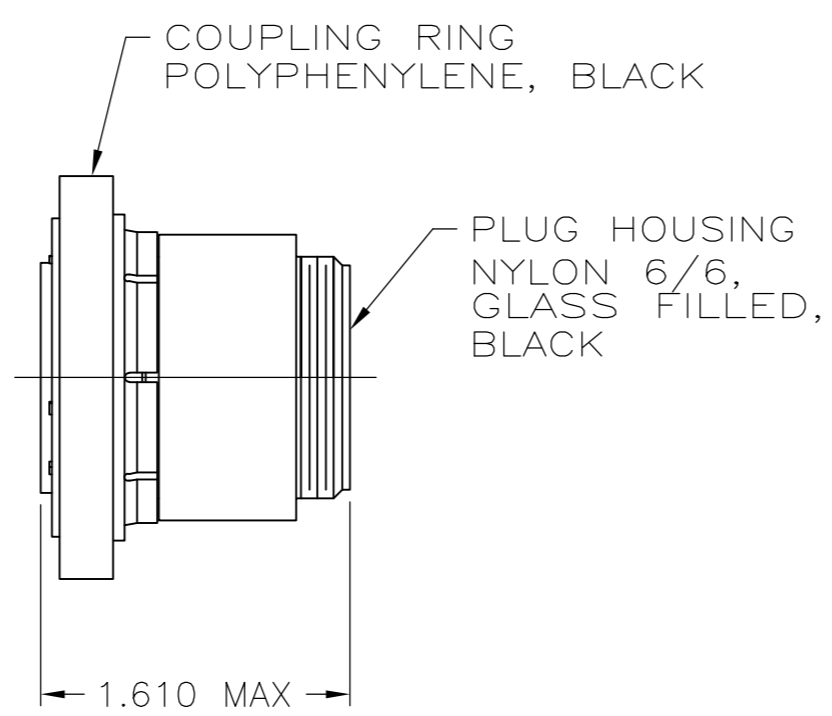
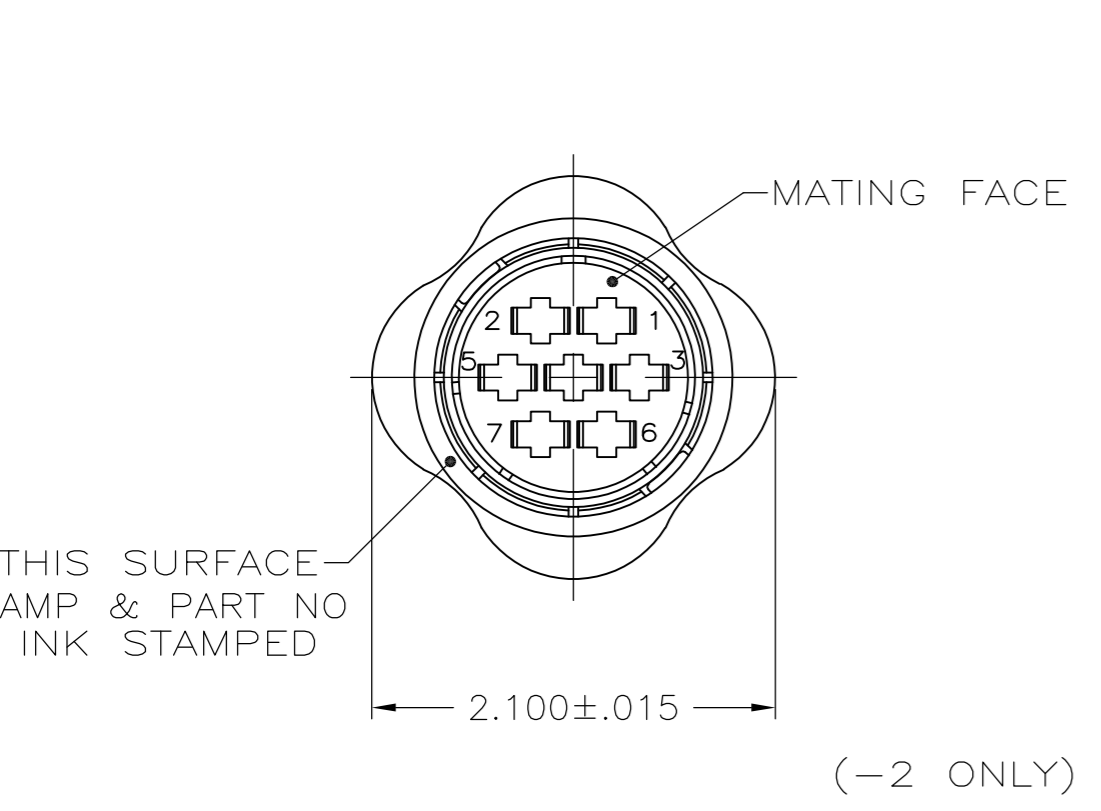
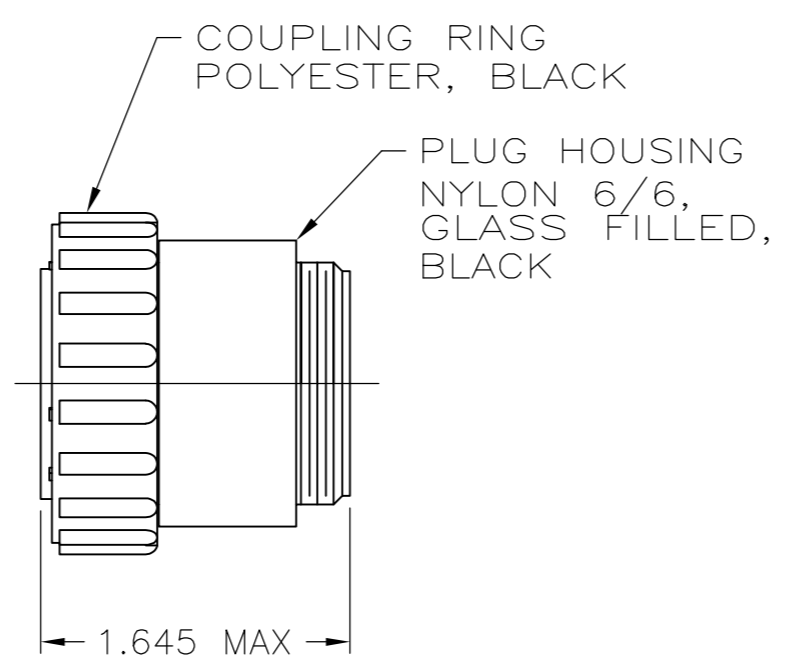
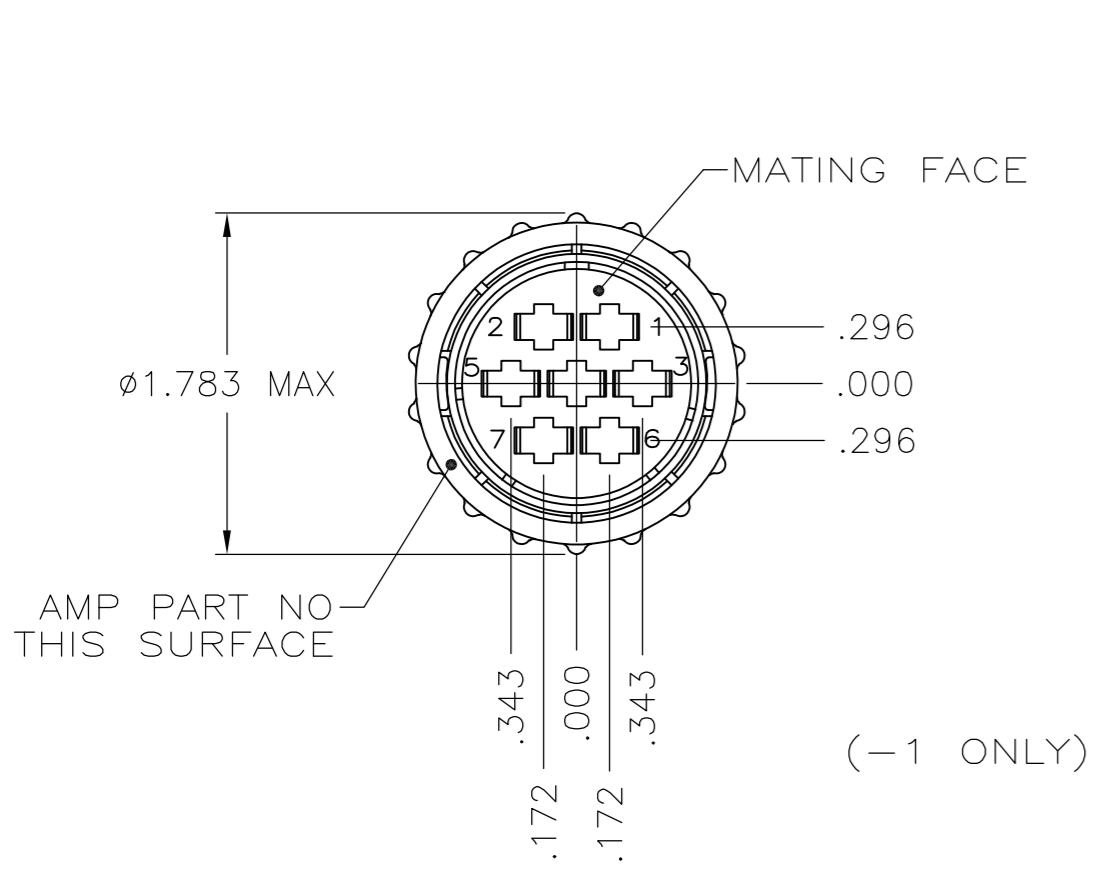


THIS DRAWING IS UNPUBLISHED. RELEASED FOR PUBLICATION
 © COPYRIGHT - By - ALL RIGHTS RESERVED.

LOC		DIST		REVISIONS			
P	LTR	DESCRIPTION		DATE	DWN	APVD	
FT	0	J1	REVISED PER ECO-11-004820		11MAR11	RK	HMR



PRELIMINARY	206136-4
	206136-3
OBSOLETE	206136-2
	206136-1
PART NUMBER	

- NOTES:
- CONTACT CAVITIES IDENTIFIED BY CHARACTERS ON FRONT AND REAR FACE OF CONNECTOR.
 - 1, -2 AND -3 CONNECTORS WILL ACCEPT SEVEN (7) TYPE XII SOCKET CONTACTS.
 - 4 CONNECTOR WILL ACCEPT SIX (6) POWER BAND SOCKET CONTACTS AND THREE (3) TYPE III+ SIGNAL SOCKET CONTACTS.

THIS DRAWING IS A CONTROLLED DOCUMENT.		DWN	S.RIDGLEY BG	7/30/90	TE Connectivity
DIMENSIONS: INCHES		CHK	R.STONE	04/26/91	
TOLERANCES UNLESS OTHERWISE SPECIFIED:		APVD	-	-	PLUG ASSEMBLY, SHELL SIZE 23, STANDARD SEX, CPC
0 PLC ± -		PRODUCT SPEC	108-10024	-	
1 PLC ± -		APPLICATION SPEC	-	-	SIZE CAGE CODE DRAWING NO RESTRICTED TO
2 PLC ± .02		WEIGHT	-	-	
3 PLC ± .010		CUSTOMER DRAWING	-	-	A2 00779 C=206136
4 PLC ± -		SCALE	NTS	SHEET	1 of 1
ANGLES ± -		REV	J1		
FINISH -					