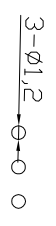
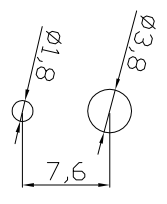
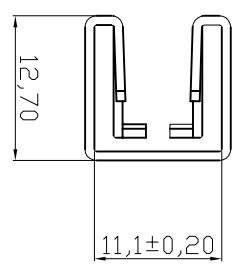
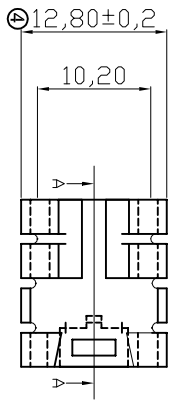
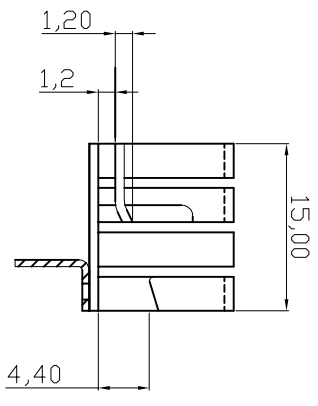


1	2	3	4	5	6	7	A
1	2	3	4	5	6	7	A
1	2	3	4	5	6	7	B
1	2	3	4	5	6	7	C
1	2	3	4	5	6	7	D
1	2	3	4	5	6	7	E
1	2	3	4	5	6	7	F
1	2	3	4	5	6	7	G
1	2	3	4	5	6	7	H

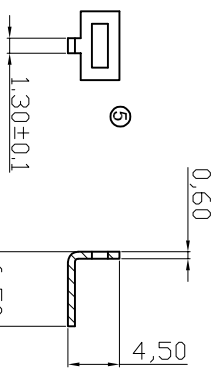
Ⓢ



Ⓢ Recommend PCB Layout



SECTION A-A



Notes
 Material: AL 5052 T=0.8±0.1 MM
 Finished: Black Anodize

RoHS compliant
 Unit: mm

Scale	Free	⑥	Update to new drawing	08.07.2016	Amy			Customer-No.
TOLERANCE		⑤	Add PCB Layout	13.04.2016	Amy	Drawn	11.08.2009	ASSMANN WSW-No.
UNIT	④ ±0,25	④	Update to correct dimension	19.11.2013	Amy	Approved	08.07.2016	V85081
		③	Modify the position of pin	18.04.2011	Rate			Drawing-No.
DIM	TOL	②	Modify drawing layout	10.03.2010	Alex			ASS 0858 HS
		①	Drawn	11.08.2009	Dean			Replace
Angle	TOL	Id.	Modification	Date	Name			Sheet



rev06

Sheet