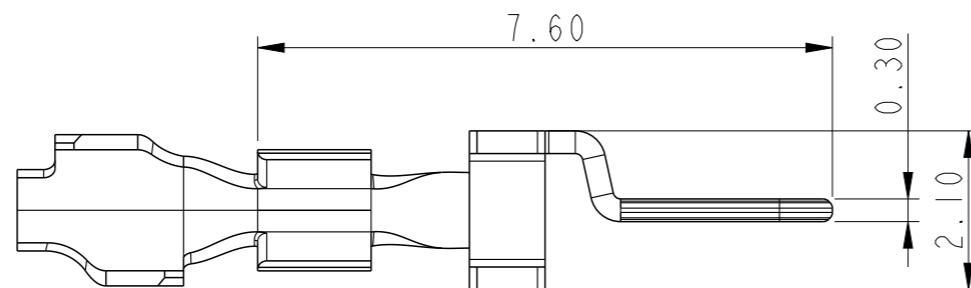


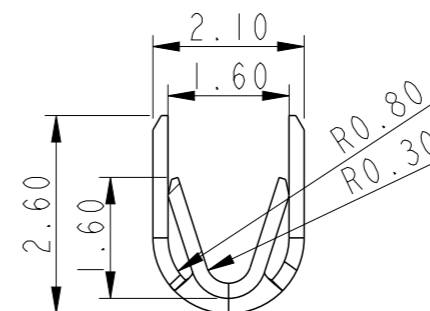
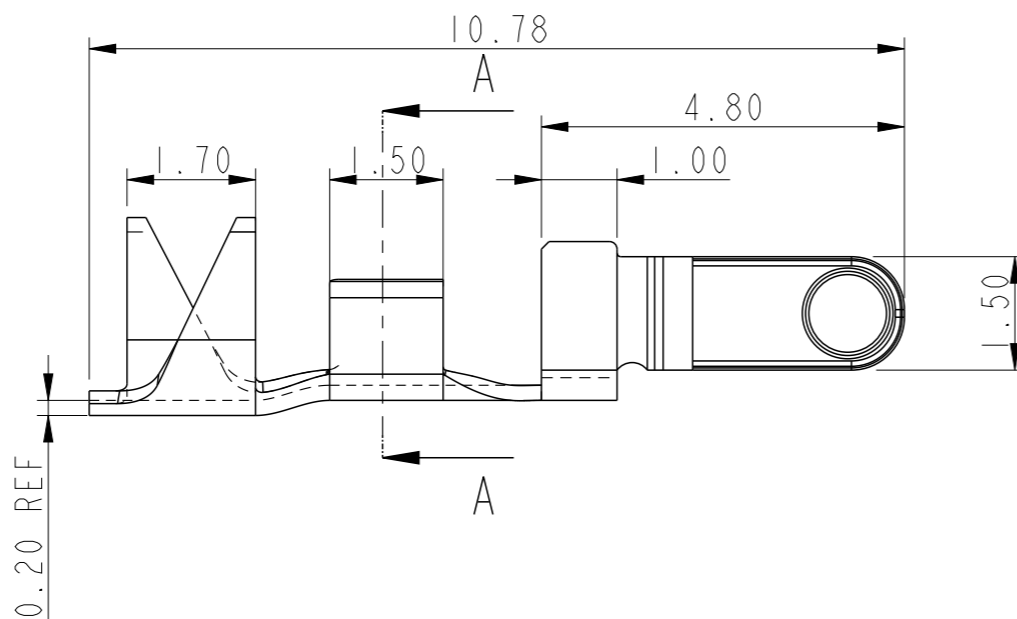
LOOSE PIECE	10120045-P01LF
ON STRIP	10120045-P02LF

NOTE:-

1. TERMINAL MATERIAL: COPPER ALLOY
2. PLATING FINISH:
AU/GXT OVER NICKEL IN CONTACT AREA
TIN OVER NICKEL IN TERMINAL AREA
3. LEAD FREE OR RoHS DIRECTIVE LABELING TO BE PROVIDED AS PER GS-14-920
4. "LF" SUFFIX TO THE PRODUCT NUMBER FOR RoHS COMPATIBLE/LEAD FREE VERSION
5. THIS PRODUCT MEETS EUROPEAN UNION DIRECTIVES AND OTHER COUNTRY REGULATIONS AS DESCRIBED IN GS-47-0004
6. WIRE RANGE: 22~30 AWG, STRANDED
7. MAX INSULATION DIA: 1.5
8. THIS PRODUCT HAS NOT COMPLETED VALIDATION TESTING

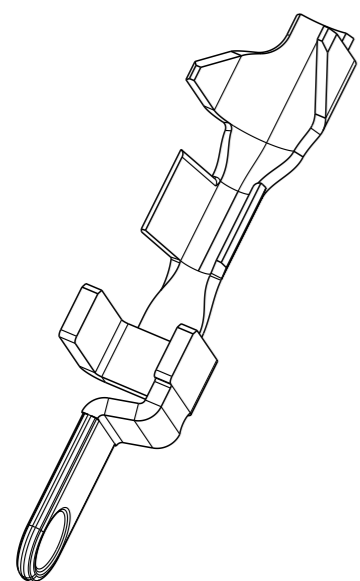


SCALE 10:1



SECTION A-A

PRELIMINARY



SCALE 8:1

spec ref		dr	Mathew Jacob	2015/03/30	projection	MM	size	A3	scale	10:1	
tolerance std		eng	Mathew Jacob	2015/07/06			ecn no	-	rel level	Preliminary	
ISO 406 ISO 1101		chr	-	-							product family
surface				title		CTW PLUG TERMINAL WIRE TO BOARD CONNECTOR		dwg no 10120045-P0X		rev	1
ISO 1302		linear	0.X	±0.20	www.fci.com	cat. no.	SEE TABLE	Product - Customer Drw		sheet 1 of 1	
		angular	0°	±2°							