

JTAG-Booster for Samsung S3C24xx



P.O: Box 1103
Kueferstrasse 8
Tel. +49 (7667) 908-0
sales@fsforth.de

- D-79200 Breisach, Germany
- D-79206 Breisach, Germany
- Fax +49 (7667) 908-200
- <http://www.fsforth.de>

Copyright © 1995..2003:

FS FORTH-SYSTEME GmbH
Postfach 1103, D-79200 Breisach, Germany

Release of Document: September 11, 2003
Author: Dieter Fögele
Filename: JTAG_S3C24xxa.doc
Program Version: 4.xx

All rights reserved. No part of this document may be copied or reproduced in any form or by any means without the prior written consent of FS FORTH-SYSTEME GmbH.

Table of Contents

1. General	4
1.1. Ordering Information	5
1.2. System Requirements	5
1.3. Contents of Distribution Disk	6
1.4. Connecting your PC to the target system	7
1.5. First Example with Samsung S3C2410.....	9
1.6. First Example with Samsung S3C2440.....	11
1.7. Trouble Shooting.....	13
1.8. Error Messages	14
1.9. Initialization file JTAGxxxx.INI.....	19
1.10. Supported flash devices.....	28
2. JTAGxxxx Parameter Description.....	29
2.1. Program a Flash Device	33
2.2. Read a Flash Device to file.....	37
2.3. Verify a Flash Device with file.....	39
2.4. Dump target memory.....	41
2.5. Program an I ² C-Device.....	43
2.6. Read an I ² C-Device to file.....	45
2.7. Verify an I ² C-Device with file.....	47
2.8. Dump an I ² C-Device	49
2.9. Toggle CPU pins	51
2.10. Polling CPU pins	52
2.11. Polling CPU pins while the CPU is running	53
2.12. Show status of all CPU pins while the CPU is running	54
3. Implementation Information	57
4. Converter Program HEX2BIN.EXE.....	58
5. Support for Windows NT, Windows 2000 and Windows XP	60
5.1. Installation on a clean system.....	60
5.2. Installation with already installed version 5.x/6.x of Kithara.....	60
5.3. Installation with already installed version 4.x of Kithara	60
5.4. De-Installation version 5.x/6.x:.....	61

1. General

The programs JTAG2410.EXE and JTAG2440.EXE use the JTAG port of the Samsung S3C24xx microcontrollers in conjunction with the small JTAG-Booster:

- to program data into flash memory
- to verify and read the contents of a flash memory
- to make a memory dump
- to access an I²C Device
- to test CPU signals

All functions are done without any piece of software running in the target. No firmware or BIOS must be written. Bootstrap software may be downloaded to initially unprogrammed memories.

The JTAG-BOOSTER' s software is highly optimized to the JTAG chain of a specific target CPU. To give support for all processors of the Samsung S3C24xx family, there are two different programs on the distribution disk:

- JTAG2410.EXE : Tool for Samsung S3C2410
- JTAG2440.EXE : Tool for Samsung S3C2440

Please contact us, if you need support for other members of the Samsung S3C24xx family.

For latest documentation please refer to the file README.TXT on the distribution disk.

1.1. Ordering Information

The following related products are available

- 9015 JTAG-Booster Samsung S3C24xx, 3.3V, S3C2410 and S3C2440
DOS/Win9x/WinNT/Win2000/WinXP,
delivered with adapter type 285

1.2. System Requirements

To successfully run this tool the following requirements must be met:

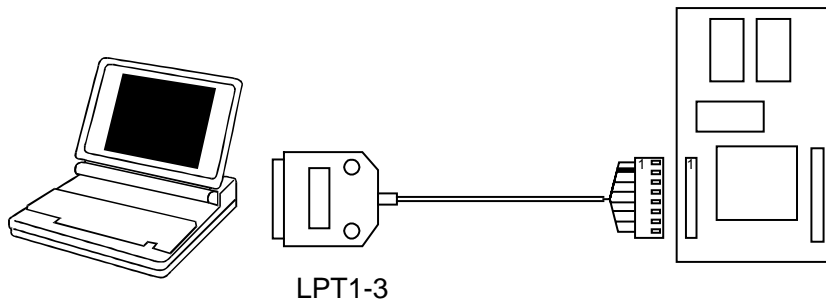
- MSDOS, WIN3.x, WIN9x, WinNT, Win2000 or WindowsXP
(WinNT/Win2000/WindowsXP is supported with an additional tool, see
chapter 5 "Support for Windows NT, Windows 2000 and Windows XP")
- Intel 80386 or higher
- 205 kByte of free DOS memory
- Parallel Port

1.3. Contents of Distribution Disk

- JTAG2410.EXE Tool for Samsung S3C2410
 JTAG2410.OVL
- JTAG2410.INI Template configuration file for Samsung S3C2410. See
 chapter 1.9 "Initialization file JTAGxxxx.INI"
- JTAG2440.EXE Tool for Samsung S3C2440
 JTAG2440.OVL
- JTAG2440.INI Template configuration file for Samsung S3C2440. See
 chapter 1.9 "Initialization file JTAGxxxx.INI"
- WinNT.zip Support for Windows NT and Windows 2000. See
 chapter 5 "Support for Windows NT, Windows 2000
 and Windows XP"
- JTAG_V4xx_FLAS List of all supported Flash devices
 HES.pdf
- README.txt Release notes, new features, known problems

1.4. Connecting your PC to the target system

The JTAG-Booster can be plugged into standard parallel ports (LPT1-3) with a DB25-Connector.



The target end of the cable has the following reference:

1	2*	3	4	5	6	7	8
TCK	GND	TMS	TRST#	NC	TDI	TDO	+3.3V

*PIN 2 can be detected by the thick cable.

To connect your design to the JTAG-BOOSTER you need a single row berg connector with a spacing of 2.54mm on your PCB. The names refer to the target: Pin 7 is the target's TDO pin and is connected to the JTAG-Booster's TDI pin.

The 3.3V version of the JTAG-Booster (FS part number 285) is delivered together with this package. Don't use the 5V version of the JTAG-Booster (FS part number 227) with a 3.3V target. **Don't apply 5V to the 3.3V version of the JTAG-Booster!**

Your target must be able to power the JTAG-Booster, it draws about 100mA.

Before you start the program, the JTAG-BOOSTER must be plugged to a parallel interface of your PC and to the 8 pin JTAG connector on the target.

The utility is started with the general command line format: JTAGxxx

JTAGxxxx /function [filename] [/option_1] ... [/option_n].

Note that the function must be the first argument followed (if needed) by the filename.

If you want to cancel execution of JTAGxxxx, press CTRL-Break-Key.

On any error the program aborts with an MSDOS error level of one.

1.5. First Example with Samsung S3C2410

In the following simple example it is assumed that the JTAG-Booster is connected to LPT1 of your PC and target power is on.

Typing

```
JTAG2410 /P MYAPP.BIN
```

at the DOS prompt results in the following output:

```
JTAG2410 --- JTAG utility for Samsung S3C2410
Copyright © FS FORTH-SYSTEME GmbH, Breisach
Version 4.xx of mm/dd/yyyy

(1) Configuration loaded from file JTAG2410.INI
(2) Target: Generic Target
(3) Using LPT at I/O-address 0378h
(4) JTAG Adapter detected

(5) 1 Device detected in JTAG chain
    Device 0: IDCODE=0032409D Samsung S3C2410, Revision 0
(6) Sum of instruction register bits : 4
(7) CPU position                    : 0
(8) Instruction register offset     : 0
(9) Length of boundary scan reg    : 427

    Looking for a known flash device. Please wait..
(10) AMD 29LV160B, 3,3V, Boot Block Bottom detected
(11) Bus size is 16 Bit
(12) Erasing Flash-EEPROM Block #:0 1 2 3
    Programming File MYAPP.BIN
    65536 Bytes programmed successfully

Erase Time      :      0.8 sec
Programming Time :     48.1 sec
```

- (1) The initialization file JTAG2410.INI was found in the current directory.
- (2) The target identification line of the initialization file is printed here.
- (3) The resulting I/O-address of the parallel port is printed here. With WinNT/Win2000/WinXP you must specify the option /LPT2 to access to the standard address 378h.
- (4) A JTAG-Booster is found on the parallel port
- (5) The JTAG chain is analyzed. There may be several parts in the JTAG chain. The chain is analyzed and all parts except the Samsung S3C2410 are switched to bypass mode.
- (6) The length of all instruction registers in the JTAG chain are added.
- (7) The position of the Samsung S3C2410 in the JTAG chain is assumed to be zero, if not specified in the command line (see option /CPUPOS=).
- (8) The position of the JTAG instruction register of the Samsung S3C2410 is assumed to be zero, if not specified in the command line (see option /IROFFS=).
- (9) The real length of the boundary scan register is displayed here and compared with the boundary scan register length of a Samsung S3C2410.
- (10) A Flash AMD 29LV160B selected with GCS0# was found.
- (11) The resulting data bus size is printed here.
- (12) In this example 4 blocks must be erased.

1.6. First Example with Samsung S3C2440

In the following simple example it is assumed that the JTAG-Booster is connected to LPT1 of your PC and target power is on.

Typing

```
JTAG2440 /P MYAPP.BIN
```

at the DOS prompt results in the following output:

```
JTAG2440 --- JTAG utility for Samsung S3C2440
Copyright © FS FORTH-SYSTEME GmbH, Breisach
Version 4.xx of mm/dd/yyyy

(1) Configuration loaded from file JTAG2440.INI
(2) Target: Generic Target
(3) Using LPT at I/O-address 0378h
(4) JTAG Adapter detected

(5) 1 Device detected in JTAG chain
    Device 0: IDCODE=xxxxxxx Samsung S3C2440, Revision ?
(6) Sum of instruction register bits : 4
(7) CPU position                    : 0
(8) Instruction register offset     : 0
(9) Length of boundary scan reg    : xxx

Looking for a known flash device. Please wait..
(10) AMD 29LV160B, 3.3V, Boot Block Bottom detected
(11) Bus size is 16 Bit
(12) Erasing Flash-EEPROM Block #:0 1 2 3
    Programming File MYAPP.BIN
    65536 Bytes programmed successfully

Erase Time      :      0.8 sec
Programming Time :      xx.0 sec
```

- (1) The initialization file JTAG2440.INI was found in the current directory.
- (2) The target identification line of the initialization file is printed here.
- (3) The resulting I/O-address of the parallel port is printed here.
- (4) A JTAG-Booster is found on the parallel port
- (5) The JTAG chain is analyzed. There may be several parts in the JTAG chain. The chain is analyzed and all parts except the Samsung S3C2440 are switched to bypass mode.
- (6) The length of all instruction registers in the JTAG chain are added.
- (7) The position of the Samsung S3C2440 in the JTAG chain is assumed to be zero, if not specified in the command line (see option /CPUPOS=).
- (8) The position of the JTAG instruction register of the Samsung S3C2440 is assumed to be zero, if not specified in the command line (see option /IROFFS=).
- (9) The real length of the boundary scan register is displayed here and compared with the boundary scan register length of a Samsung S3C2440.
- (10) A Flash AMD 29LV160B selected with GCS0# was found.
- (11) The resulting data bus size is printed here.
- (12) In this example four block must be erased.

1.7. Trouble Shooting

Avoid long distances between your Host-PC and the target. If you are using standard parallel extension cable, the JTAG-BOOSTER may not work. Don't use Dongles between the parallel port and the JTAG-BOOSTER.

Switch off all special modes of your printer port (EPP, ECP, ...) in the BIOS setup. Only standard parallel port (SPP) mode is allowed.

If there are problems with autodetection of the flash devices use the /DEVICE= option. To speed up autodetection specify one of the options /8BIT /16BIT or /32BIT.

Don't use hardware protected flash memories.

The used chip selects must be defined as output and inactive in the initialization file (see chapter 1.9 "Initialization file JTAGxxxx.INI"). Also the address bits must be defined as output.

Use the option /NOWRSETUP to speed up flash programming.

1.8. Error Messages

- **80386 or greater required**
The JTAG-BOOSTER does not work on a 8088/8086 or a 80286 platform.
- **Cable not connected or target power fail**
The JTAG-Booster (or one of the simple Parallel Port JTAG adapters selected with the options /LATTICE /WIGGLER /PLS) wasn't found. Please check connection to parallel port and connection to target. Check target power. Check the command line options. Check your BIOS-Setup. If you are using this program with WinNT, Win2000 or WinXP you must specify /LPT2 or /LPT-BASE=378 to get access to the standard printer port.
- **Can't open x:\yyy\zzz\JTAGxxxx.OVL**
The overlay file JTAGxxxx.OVL must be in the same directory as JTAGxxxx.EXE.
- **Configuration file XYZ not found.**
The file specified with the option /INI= wasn't found.
- **Device offset out of range**
The value specified with the option /OFFSET= is greater than the size of the detected flash device.
- **Disk full**
Writing a output file was aborted as a result of missing disk space.
- **Do not specify option /NOCS with any other chip select**
There is a conflict in the command line.
- **Do not specify option /BYTE-MODE. Flash device does not have a byte mode pin.**
The flash device specified with the option /DEVICE= does not support switching between 16 (or 32) bit mode and 8 bit mode. In practice it does not have a pin with the name BYTE#
- **Error creating file:**
The output file could not be opened. Please check free disk space or write protection.

- **Error: *Pin-Name* is an output only pin**
The specified pin cannot be sampled. Check the command line. Check the initialization file.
- **Error: *Pin-Name* is an input only pin**
The specified pin cannot be activated. Check the command line. Check the initialization file.
- **Error: *Pin-Name* may not be read back**
The specified pin can be switched to tristate, but cannot be read back. Check the command line.
- **illegal function:**
The first parameter of the command line must be a valid function. See chapter 2 "JTAGxxxx Parameter Description" for a list of supported functions.
- **illegal number:**
The specified number couldn't be interpret as a valid number. Check the relevant number base.
- **illegal option:**
See chapter 2 "JTAGxxxx Parameter Description" for a list of supported options.
- **illegal Pin Type:**
The name specified with the option /PIN= must be one of the list of chapter 1.9 "Initialization file JTAGxxxx.INI"
- **illegal Flash Type:**
The name specified with the option /DEVICE= must be one of the list of chapter 1.10 "Supported flash devices".
- **Input file not found:**
The specified file cannot be found
- **Input file is empty:**
Files with zero length are not accepted

- **" " is undefined**
Please check the syntax in your configuration file. (See chapter 1.9 "Initialization file JTAGxxxx.INI").
- **LPTx not installed**
The LPT port specified with /LPTx cannot be found. Please check the LPT port or specify a installed LPT port. Check your BIOS setup. If you are using this program with WinNT, Win2000 or WinXP you 1st must install the WinNT support package as described in chapter 5"Support for Windows NT, Windows 2000 and Windows XP
- **missing filename**
Most functions need a filename as second parameter.
- **missing option /I2CCLK=**
Some functions need the option /I2CCLK= to be defined.
- **missing option /I2CDAT=**
Some functions need the option /I2CDAT= or the options /I2CDATO= and /I2CDATI= to be defined.
- **missing option /LENGTH=**
Some functions need the option /LENGTH= to be defined.
- **missing option /PIN=**
Some functions need the option /PIN= to be defined.
- **More than 9 devices in the JTAG chain or TDO pin stuck at low level**
The JTAG chain is limited to 9 parts. Check target power. Check the target's TDO pin.
- **No devices found in JTAG chain or TDO pin stuck at high level**
A stream of 32 high bits was detected on the pin TDO. TDO may stuck at high level. Check the connection to your target. Check the target power. Check the target's TDO pin.
- **Option /CPUPOS= out of range**
The number specified with the option /CPUPOS= must be less or equal to the number of parts minus 1.

- **Option /IROFFS= out of range**
Please specify a smaller value
- **Part at specified position is not a Samsung S3C24xx**
The option /CPUPOS= points to a part not a Samsung S3C24xx
- **Pins specified with /I2CCLK= and /I2CDAT= must have different control cells**
The pin specified with the option /I2CDAT= must be able to be switched to high impedance while the pin specified with option /I2CCLK= is an active output. See chapter 1.9 "Initialization file JTAGxxxx.INI".
- **Pins specified with /I2CCLK= and /I2CDATI= must have different control cells**
The pin specified with the option /I2CDATI= must be able to be switched to high impedance while the pin specified with option /I2CCLK= is an active output. See chapter 1.9 "Initialization file JTAGxxxx.INI".
- **Pins specified with /I2CDATO= and /I2CDATI= must have different control cells**
The pin specified with the option /I2CDATI= must be able to be switched to high impedance while the pin specified with option /I2CDATO= is an active output. See chapter 1.9 "Initialization file JTAGxxxx.INI".
- **Specify only one of these options:**
Some options are exclusive (i.e. /8BIT and /16BIT). Don't mix them.
- **Sum of instruction register bits to low. Should be at least 5 bits for a Samsung S3C24xx**
The sum of all instruction register bits in the JTAG chain does not fit to the Samsung S3C24xx. Check the target connection. Check the target CPU type. Check the settings for /IROFFS= and /CPUPOS= , if there are several parts in the JTAG chain.
- **Target no longer connected**
There is a cyclic check of the JTAG chain. Check target power. Check target connection.

- **There are unknown parts in the JTAG chain. Please use the option /IROFFS= to specify the instr. reg. offset of the CPU.**
If there are unknown parts in the JTAG chain, the program isn't able to determine the logical position of the CPU's instruction register.
- **There is no Samsung S3C24xx in the JTAG chain**
No Samsung S3C24xx was found in the JTAG chain. Check the target power. Try with option /DRIVER=4 again.
- **Value of option /FILE-OFFSET out of range**
The value of the option /FILE-OFFSET= points behind end of file.
- **wrong driver #**
The value specified with the option /DRIVER= is out of range.
- **Wrong Flash Identifier (xxxx)**
No valid identifier found. Check the specified chip select signal and the bus width. Try with the option /DEVICE= . Use the option /8BIT or /16BIT or /32BIT to specify the correct data bus size.
- **Wrong length of boundary scan register. Should be 427 for a Samsung S3C2410. (Should be ??? for a Samsung S3C2440.)**
The length of the boundary scan register of the selected part (if there are more than one in the chain) does not fit to the Samsung S3C24xx. Check the target connection. Check the target CPU type. Check the settings for /IROFFS= and /CPUPOS= , if there are several parts in the JTAG chain.

1.9. Initialization file JTAGxxxx.INI

This file is used to define the default direction and level of all CPU signals. This file **must be carefully adapted** to your design with the Samsung S3C24xx. The Target-Entry is used to identify your design which is displayed with most commands.

When the program JTAGxxxx.EXE is started it scans the current directory for an existing initialization file named JTAGxxxx.INI. If no entry is found the default values are used. You may also specify the initialization file with the option /INI= . If the specified file isn't found, the program aborts with an error message.

The CPU pins can also be used with the functions /BLINK (chapter 2.9), /PIN? (chapter 2.10) and /SAMPLE (chapter 2.11) to test the signals on your design.

The sample file below represents the values which are used for default initialization when no initialization file could be found in the current directory and no initialization file is specified with the option /INI=.

Changes to the structure of the file could result in errors. Remarks can be added by using //.

Sample File JTAG2410.INI:

```
// Description file for Samsung S3C2410
Target: Generic Target, 2003/08/21
// Adapt this file carefully to your design!!
// All chip select signals are set to output and inactive.
// All signals should be defined. Undefined signals are set to their defaults.
// Pin names are defined in upper case.
// Low active signals are signed with a trailing #.

// Group 99: All pins in this group must be set to the same direction
//           These pins are bidirectional
//           During flash programming these pins are switched between
//           input/inactive and output/active.
//           For Flash programming and other memory accesses
//           these pins should be set to Input
DATA0      Inp   //
DATA1      Inp   //
DATA2      Inp   //
DATA3      Inp   //
DATA4      Inp   //
DATA5      Inp   //
DATA6      Inp   //
DATA7      Inp   //

// Group 82: All pins in this group must be set to the same direction
//           These pins are bidirectional
//           During flash programming these pins are switched between
//           input/inactive and output/active.
//           For Flash programming and other memory accesses
//           these pins should be set to Input
DATA8      Inp   //
DATA9      Inp   //
DATA10     Inp   //
DATA11     Inp   //
DATA12     Inp   //
DATA13     Inp   //
DATA14     Inp   //
DATA15     Inp   //
```

```
// Group 65: All pins in this group must be set to the same direction
//           These pins are bidirectional
//           During flash programming these pins are switched between
//           input/inactive and output/active.
//           For Flash programming and other memory accesses
//           these pins should be set to Input
DATA16      Inp   //
DATA17      Inp   //
DATA18      Inp   //
DATA19      Inp   //
DATA20      Inp   //
DATA21      Inp   //
DATA22      Inp   //
DATA23      Inp   //

// Group 48: All pins in this group must be set to the same direction
//           These pins are bidirectional
//           During flash programming these pins are switched between
//           input/inactive and output/active.
//           For Flash programming and other memory accesses
//           these pins should be set to Input
DATA24      Inp   //
DATA25      Inp   //
DATA26      Inp   //
DATA27      Inp   //
DATA28      Inp   //
DATA29      Inp   //
DATA30      Inp   //
DATA31      Inp   //

// Group 138: All pins in this group must be set to the same direction
//            These pins are tristateable, but can not be read back
//            For Flash Programming these pins must be set to output
ADDR1       Out,Lo //
ADDR2       Out,Lo //
ADDR3       Out,Lo //
ADDR4       Out,Lo //
ADDR5       Out,Lo //
ADDR6       Out,Lo //
ADDR7       Out,Lo //
ADDR8       Out,Lo //
ADDR9       Out,Lo //
ADDR10      Out,Lo //
```

ADDR11 Out,Lo //
ADDR12 Out,Lo //
ADDR13 Out,Lo //
ADDR14 Out,Lo //
ADDR15 Out,Lo //

// The following pins are tristateable, but can not be read back
// For Flash Programming these pins must be set to output

ADDR0 Out,Lo // GPA0
ADDR16 Out,Lo // GPA1
ADDR17 Out,Lo // GPA2
ADDR18 Out,Lo // GPA3
ADDR19 Out,Lo // GPA4
ADDR20 Out,Lo // GPA5
ADDR21 Out,Lo // GPA6
ADDR22 Out,Lo // GPA7
ADDR23 Out,Lo // GPA8
ADDR24 Out,Lo // GPA9
ADDR25 Out,Lo // GPA10
ADDR26 Out,Lo // GPA11

// The following pins are tristateable, but can not be read back

GCS5# Out,Hi // GPA16
GCS4# Out,Hi // GPA15
GCS3# Out,Hi // GPA14
GCS2# Out,Hi // GPA13
GCS1# Out,Hi // GPA12

// Group 166: All pins in this group must be set to the same direction
// These pins are tristateable, but can not be read back

GCS7# Out,Hi // SCS1#
GCS6# Out,Hi // SCS0#
SCLK1 Out,Lo // SDRAM Clock Output
SCLK0 Out,Lo // SDRAM Clock Output
SRAS# Out,Hi //
SCAS# Out,Hi //

```

// Group 153: All pins in this group must be set to the same direction
//           These pins are tristateable, but can not be read back
GCS0#      Out,Hi //
SCKE      Out,Hi // SDRAM Clock Enable
WE#       Out,Hi // Write Enable
OE#       Out,Hi // Output Enable
BE0#      Out,Lo // WBE0#:DQM0, Byte Enable
BE1#      Out,Lo // WBE1#:DQM1, Byte Enable
BE2#      Out,Lo // WBE2#:DQM2, Byte Enable
BE3#      Out,Lo // WBE3#:DQM3, Byte Enable

// The following pins are complete bidirectional pins.
// The direction of each pin can be set independent of the other pins.
// Each pin can be used as an input.
LEND      Inp    // GPC0/STH, TFT Line End Signal
VCLK      Inp    // GPC1/LCD_HCLK, STN/TFT LCD clock signal
VLIN      Inp    // GPC2/HSYNC:CPV, STN LCD line signal
VFRAME    Inp    // GPC3/VSYNC:STV, STN Frame signal
VM        Inp    // GPC4/VDEN:TP, STN alternate polarity
LCDVF0    Inp    // GPC5, SEC_TFT Timing control signal
LCDVF1    Inp    // GPC6, SEC_TFT Timing control signal
LCDVF2    Inp    // GPC7, SEC_TFT Timing control signal
VD0       Inp    // GPC8, STN/TFT/SEC_TFT Data Bus
VD1       Inp    // GPC9
VD2       Inp    // GPC10
VD3       Inp    // GPC11
VD4       Inp    // GPC12
VD5       Inp    // GPC13
VD6       Inp    // GPC14
VD7       Inp    // GPC15
VD8       Inp    // GPD0
VD9       Inp    // GPD1
VD10      Inp    // GPD2
VD11      Inp    // GPD3
VD12      Inp    // GPD4
VD13      Inp    // GPD5
VD14      Inp    // GPD6
VD15      Inp    // GPD7
VD16      Inp    // GPD8
VD17      Inp    // GPD9
VD18      Inp    // GPD10
VD19      Inp    // GPD11
VD20      Inp    // GPD12

```

VD21	Inp	// GPD13
VD22	Inp	// GPD14/SS1#, SPI chip select slave
VD23	Inp	// GPD15/SS0#, SPI chip select slave
I2SLRCK	Inp	// GPE0, IIS-bus channel select
I2SSCLK	Inp	// GPE1, IIS-bus serial clock
CDCLK	Inp	// GPE2, CODEC system clock
I2SDI	Inp	// GPE3/SS0#, IIS-bus serial data input
I2SDO	Inp	// GPE4/I2SSDI, IIS-bus serial data output
SDCLK	Inp	// GPE5, SD clock
SDCMD	Inp	// GPE6, SD receive response/transmit command
SDDAT0	Inp	// GPE7, SD receive/transmit data
SDDAT1	Inp	// GPE8
SDDAT2	Inp	// GPE9
SDDAT3	Inp	// GPE10
SPIMISO0	Inp	// GPE11
SPIMOSI0	Inp	// GPE12
SPICLK0	Inp	// GPE13
EINT0	Inp	// GPF0
EINT1	Inp	// GPF1
EINT2	Inp	// GPF2
EINT3	Inp	// GPF3
EINT4	Inp	// GPF4
EINT5	Inp	// GPF5
EINT6	Inp	// GPF6
EINT7	Inp	// GPF7
EINT8	Inp	// GPG0
EINT9	Inp	// GPG1
EINT10	Inp	// GPG2/SS0#
EINT11	Inp	// GPG3/SS1#
EINT12	Inp	// GPG4/LCD_PWREN
EINT13	Inp	// GPG5/SPIMISO1
EINT14	Inp	// GPG6/SPIMOSI1
EINT15	Inp	// GPG7/SPICLK1
EINT16	Inp	// GPG8
EINT17	Inp	// GPG9
EINT18	Inp	// GPG10
EINT19	Inp	// GPG11/TCLK1
EINT20	Inp	// GPG12/XMON, touch
EINT21	Inp	// GPG13/XPON#
EINT22	Inp	// GPG14/YMON
EINT23	Inp	// GPG15/YPON#
UCLK	Inp	// GPH8, UART clock signal
CLKOUT0	Inp	// GPH9

CLKOUT1	Inp	// GPH10
CTS0#	Inp	// GPH0
RTS0#	Inp	// GPH1
TXD0	Inp	// GPH2
RXD0	Inp	// GPH3
TXD1	Inp	// GPH4
RXD1	Inp	// GPH5
TXD2	Inp	// GPH6/RTS1#
RXD2	Inp	// GPH7/CTS1#
TOUT0	Inp	// GPB0, Timer Output
TOUT1	Inp	// GPB1, Timer Output
TOUT2	Inp	// GPB2, Timer Output
TOUT3	Inp	// GPB3, Timer Output
TCLK0	Inp	// GPB4, External timer clock input
XBACK#	Inp	// GPB5, Bus Hold Acknowledge Output
XBREQ#	Inp	// GPB6, Bus Hold Request Input
XDACK1#	Inp	// GPB7, External DMA Acknowledge Output
XDREQ1#	Inp	// GPB8, External DMA Request Input
XDACK0#	Inp	// GPB9, External DMA Acknowledge Output
XDREQ0#	Inp	// GPB10, External DMA Request Input

// The following pins are open drain types, may be inverted!!
// The direction of each pin can be set independent of the other pin.
// Each pin can be used as an input.

IIC_SCL	Inp	// GPE14
IIC_SDA	Inp	// GPE15

// The following pins are output only pins.

// Setting to input (tristate) one of these pins results in an error.

PWREN	Out,Hi	// Core Power Enable
FCE#	Out,Hi	// GPA22, Nand Flash Chip Enable
RSTOUT#	Out,Hi	// GPA21, Reset Output
FRE#	Out,Hi	// GPA20, Nand Flash Read Enable
FWE#	Out,Hi	// GPA19, Nand Flash Write Enable
ALE	Out,Lo	// GPA18, Nand Flash Address Enable
CLE	Out,Lo	// GPA17, Nand Flash Command Latch Enable

// The following pins are input only.

// Setting to output of one of these pins results in an error.

// Declaration of the direction of these pins is optional.

```
CON0#      Inp    // ???
CON1#      Inp    //
BATT_FLT#  Inp    // Probe for battery state
RESET#     Inp    // Reset Input
EXTCLK     Inp    // External clock source
WAIT#      Inp    //
```

Sample File JTAG2440.INI:

In preparation

1.10. Supported flash devices

Type JTAGxxxx /LIST [optionlist]

to get a online list of all flash types which could be used with the /DEVICE= option.

See separate file JTAG_V4xx_FLASHES.pdf to get a complete list of supported flash types.

2. JTAGxxxx Parameter Description

When you start JTAGxxxx.EXE without any parameters the following help screen with all possible functions and options is displayed:

```
JTAGxxxx --- JTAG utility for Samsung S3C24xx
Copyright © FS FORTH-SYSTEME GmbH, Breisach
Version 4.xx of mm/dd/yyyy
```

Programming of Flash-EPROMs and hardware tests on targets with the Samsung S3C24xx.

The JTAG-Booster is needed to connect the parallel port of the PC to the JTAG port of the Samsung S3C24xx.

Usage: JTAGxxxx /function [filename] [/option_1] ... [/option_n]

Supported functions:

```
/P          : Program a Flash Device
/R          : Read a Flash Device to file
/V          : Verify a Flash Device with file
/DUMP      : Make a target dump
/PI2C      : Program an I2C Device with file
/RI2C      : Read an I2C Device to file
/VI2C      : Verify an I2C Device with file
/DUMPI2C   : Make a dump of an I2C Device
/BLINK     : Toggle a CPU pin
/PIN?     : Test a CPU pin
/SAMPLE    : Test a CPU pin while the CPU is running
/SNAP      : Test all CPU pins while CPU is running
/LIST      : Print a list of supported Flash devices
```

Supported Options:

/CS0	/CS1	/CS2	/CS3	/CS4
/CS5	/CS6	/CS7	/BIG	/NOCS
/NOWRSETUP	/TOP	/BYTE-MODE	/BM	/PAUSE
/P	/NODUMP	/NOERASE	/ERASEALL	/LATTICE
/WIGGLER	/PLS	/LPT1	/LPT2	/LPT3
/LPT-BASE=	/32BIT	/16BIT	/8BIT	/NOMAN
/LENGTH=	L=	/FILE-OFFSET=	/FO=	/OFFSET=
/O=	/DELAY=	/DEVICE-BASE=	/DB=	/DRIVER=
/IROFFS=	/CPUPOS=	/DEVICE=	/PIN=	/I2CCLK=
/I2CDAT=	/I2CDATI=	/I2CDATO=	I2CBIG	/WATCH=
/OUT=	/INI=	/REP		

The following options are valid for most functions:

/BIG

This option switches the byte ordering to big endian mode. This option must fit to the target's endianness. Normally the target is configured to the right endianness after reset. In some cases, the endianness can be changed within the configuration file.

Default: Little Endian

/DRIVER=x with x = 1,2,3,4

A driver for the interface to the JTAG-BOOSTER on the parallel port may be specified. /DRIVER=1 selects the fastest available driver, /DRIVER=4 selects the slowest one. Use a slower driver if there are problems with JTAG-BOOSTER.

Default: /DRIVER=3

/INI=file

An initialization file may be specified. By default the current directory is searched for the file JTAGxxxx.INI. If this file is not found and no initialization file is specified in the command line, default initialization values are used (see also chapter 1.9 "Initialization file JTAGxxxx.INI").

Note: The initialization file is not loaded for the functions /SAMPLE (chapter 2.11) and /SNAP (chapter 2.12).

Default: /INI=JTAGxxxx.INI

/LATTICE /WIGGLER /PLS

Besides the standard JTAG-Booster interface there are several simple "Parallel-Port-JTAG" interfaces supported. With this interfaces the programming performance, of course, is reduced.

/LPT1 /LPT2 /LPT3

A printer port may be specified where the JTAG-Booster resides. If you are using this program with WinNT, Win2000 or WinXP you must specify **/LPT2** or **/LPT-BASE=378** to get access to the standard printer port.

Default: **/LPT1**

/LPT-BASE

The physical I/O-Address of printer port may be specified instead of the logical printer name. Useful option, if you work with WinNT, Win2000 or WinXP, because the standard printer port is mapped as LPT2 here. Use the option **/LPT-BASE=378** to get a command line which works independent of the operation system.

/OUT=file_or_device

All screen outputs are redirected to the specified file or device. Note that you can't redirect to the same parallel port where the JTAG-Booster resides.

Default: **/OUT=CON**

/PAUSE

With the option **/PAUSE** you can force the program to stop after each screen. Please do not use this option if you redirect the output to a file.

Abbreviation: **/P**

/WATCH=

With the option **/WATCH=** a pin can be specified, which is toggled twice per second, while the program is active. This pin may be the trigger of a watchdog. This pin must be specified as output in the initialization file.

/IROFFS=

Specifies the position of the Samsung S3C24xx instruction register within the JTAG chain. In most cases this option is not needed.

Default: **/IROFFS=0**

/CPUPOS=

Specifies the position of the Samsung S3C24xx within the JTAG chain.

Default: /CPUPOS=0

2.1. Program a Flash Device

Usage: JTAGxxxx /P filename [optionlist]

The specified file is programmed into the flash memory. The flash status is polled after programming of each cell (cell=8, 16 or 32 bit, depending on current data bus width). In case of a programming error, the contents of the flash memory is written to a file with the extension DMP.

If you want a complete verify after programming, please use an additional command line with the verify function. See chapter 2.3 "Verify a Flash Device with file". In most cases this additional verify step is not needed.

The type of the flash device is normally detected by the software. When autodetection fails you should use the /DEVICE= option together with /8BIT or /16BIT or /32BIT to set the right flash device and configuration. The known flash devices are shown in chapter 1.10 "Supported flash devices".

Options:

/DEVICE=devicename

The flash device is detected automatically by switching to autoselect mode. In case of trouble you should select the flash device by using this parameter to avoid autodetection. Combine this option with one of the following options which specify the data bus width and the option /BYTE-MODE if applicable.

/8BIT /16BIT /32BIT

Specifies the data bus width to the target flash device. You can speed up autodetection, if you specify the correct data bus size. You need this option together with the option /DEVICE= to explicit specify a specific flash configuration.

/BYTE-MODE

If there is a flash device connected to the CPU which does have a byte mode pin (8 bit and 16/32 bit bus mode), you can force it to be used as 8 bit mode with the option /BYTE-MODE. In most cases this option will not be needed.

/NOMAN

If you use a flash device which is identical to one of the supported parts, but is from a different manufacturer, with this option you can suppress the comparison of the manufacturer identification code. We recommend to use this option together with the `/DEVICE=` option to avoid failures in autodetection.

/DEVICE-BASE=hhhhh¹

Here you can specify a flash device starting address. In most cases, where the flash device is selected with one of the CPUs chip select pins, this parameter is not needed. But if there is any decoding logic in your hardware, this option will be needed. Especially, if there are several flash banks connected to one chip select and a sub decoding logic generates chip selects for these flash banks, this option can be used to select a specific flash bank.

Default: `/DEVICE-BASE=0`

Abbreviation: `/DB=`

/OFFSET=hhhhh

The programming starts at an offset of hhhhh relative to the start address of the flash device. If the offset is negative, the offset specifies an address relative to the end of the flash device. See also option `/TOP`

Default: `/OFFSET=0`

Abbreviation: `/O=`

/TOP

If the option `/TOP` is used the option `/OFFSET=` specifies the address where the programming ends (plus one) instead of the starting address. This option is very important for Intel CPU architectures, because target execution always starts at the top of the address space.

/FILE-OFFSET=hhhhh

If `FILE-OFFSET` is specified, the first hhhhh bytes of the file are skipped and not programmed to target.

Default: `/FILE-OFFSET=0`

Abbreviation: `/FO=`

¹hhhhh=number base is hex

/LENGTH=hhhhh

The number of programmed bytes may be limited to LENGTH. If no LENGTH is specified the whole file is programmed.

Default: /LENGTH=4000000 (64 MByte)

Abbreviation: /L=

/NODUMP

In case of a verify error the contents of the flash memory is written to a file with the extension .DMP. With /NODUMP you can suppress this feature.

/ERASEALL

Erase the whole flash device. If this option isn't set, only those blocks are erased where new data should be written to.

/NOERASE

This option prevents the flash device from being erased.

/CS0 /CS1 /CS2 /CS3 /CS4 /CS5 /CS6 /CS7

This options may be used to specify one or more chip select signals to the flash memory. The used chip selects must be defined as output and inactive in the initialization file. (See chapter 1.9 "Initialization file JTAGxxxx.INI".)

Default: /CS0

/NOCS

Use this option to switch off all chip select signals. This may be necessary if the device's chip select is generated via a normal decoder instead of using the Samsung S3C24xx chip select unit.

/NOWRSETUP

By default write cycles to the Flash EPROM are realized with three steps: 1. set address/data 2. write strobe active 3. write strobe inactive. **In most cases** it is possible to set the write strobe coincident with setting of address and data by specifying the option /NOWRSETUP. **This increases the programming speed by 50%.**

Examples:

JTAGxxxx /P ROMDOS.ROM /L=20000 /TOP

This example programs up to 128 Kbytes of the file ROMDOS.ROM (with i.e. 512 Kbytes) to the top of the boot flash memory.

JTAGxxxx /P CE.ROM /32BIT /CS1

This example programs the file CE.ROM to the 32 Bit Flash-EPROM connected to CS1#.

2.2. Read a Flash Device to file

Usage: JTAGxxxx /R filename [optionlist]

The contents of a flash device is read and written to a file.

The type of the flash device is normally detected by the software. When autodetection fails you should use the /DEVICE= option together with /8BIT or /16BIT or /32BIT to set the right flash device and configuration. The known devices are shown in chapter 1.10 "Supported flash devices".

Options:

/DEVICE=devicename

See function /P (Chapter 2.1)

/8BIT /16BIT /32BIT

See function /P (Chapter 2.1)

/BYTE-MODE

See function /P (Chapter 2.1)

/NOMAN

See function /P (Chapter 2.1)

/DEVICE-BASE=hhhhh²

See function /P (Chapter 2.1)

/OFFSET=hhhhh

Reading of the flash memory starts at an offset of hhhhh relative to the start address of the flash device. If the offset is negative, the offset specifies a address relative to the end of the flash device.

See also option /TOP.

Default: /OFFSET=0

Abbreviation: /O=

²hhhhh=number base is hex

/TOP

If the option `/TOP` is used the option `/OFFSET=` specifies the address where reading ends (plus one) instead of the starting address.

/LENGTH=hhhhh

The number of read bytes may be limited to `LENGTH`. If no `LENGTH` is specified the whole flash device is read (if no offset is specified).

/CS0 /CS1 /CS2 /CS3 /CS4 /CS5 /CS6 /CS7

See function `/P` (Chapter 2.1)

/NOWRSETUP

See function `/P` (Chapter 2.1)

Please note: In the function `/R` write cycles are needed to detect the type of the flash memory.

Example:

`JTAGxxxx /R BIOS.ABS /L=10000 /TOP`

This example may be used to read the upper most 64 Kbyte of the flash memory to the file `BIOS.ABS`.

2.3. Verify a Flash Device with file

Usage: JTAGxxxx /V filename [optionlist]

The contents of a flash device is compared with the specified file. If there are differences the memory is dumped to a file with the extension DMP.

The type of flash device is normally detected by the software. When autodetect fails you should use the /DEVICE= option together with /8BIT or /16BIT or /32BIT to set the right flash device and configuration. The known devices are shown in chapter 1.10 "Supported flash devices".

Options:

/DEVICE=devicename

See function /P (Chapter 2.1)

/8BIT /16BIT /32BIT

See function /P (Chapter 2.1)

/BYTE-MODE

See function /P (Chapter 2.1)

/NOMAN

See function /P (Chapter 2.1)

/DEVICE-BASE=hhhhh

See function /P (Chapter 2.1)

/OFFSET=hhhhh

See function /P (Chapter 2.1)

/TOP

See function /P (Chapter 2.1)

/FILE-OFFSET=hhhhh

See function /P (Chapter 2.1)

/LENGTH=hhhhh

See function /P (Chapter 2.1)

/NODUMP

See function /P (Chapter 2.1)

/CS0 /CS1 /CS2 /CS3 /CS4 /CS5 /CS6 /CS7

See function /P (Chapter 2.1)

/NOWRSETUP

See function /P (Chapter 2.1)

Please note: In the function /V write cycles are needed to detect the type of the flash memory.

Example:

JTAGxxxx /V ROMDOS.ROM /L=20000 /TOP

This example may be used to verify the upper most 128 Kbytes of the flash memory with the file ROMDOS.ROM (with i.e. 512 Kbytes).

2.4. Dump target memory

Usage: JTAGxxxx /DUMP [optionlist]

A Hex-Dump of the target memory is printed on the screen, if not redirected to file or device.

Options:

/8BIT /16BIT /32BIT
Default: /32BIT

/OFFSET=hhhhh

The memory dump starts at an offset of hhhhh plus the device start address (see option /DEVICE-BASE=).

Default: /OFFSET=0
Abbreviation: /O=

/DEVICE-BASE=hhhhh³

The device start address is used as an additional offset. This gives the function /DUMP the same behavior as function /P /V and /R.

Default: /DEVICE-BASE=0
Abbreviation: /DB=

/TOP

If the option /TOP is used the option /OFFSET= specifies the address where the dump ends (plus one) instead of the starting address

/LENGTH=hhhhh

Default: /LENGTH=100
Abbreviation: /L=

/CS0 /CS1 /CS2 /CS3 /CS4 /CS5 /CS6 /CS7

See function /P (Chapter 2.1)

Default: /CS0

³hhhhh=number base is hex

Example:

JTAGxxxx /DUMP

This example makes a memory dump of the first 256 bytes of the Boot-EPROM.

2.5. Program an I²C-Device

Usage: JTAGxxxx /PI2C filename [/I2CBIG] [optionlist]

The specified file is programmed to an I²C-Device (i.e. a serial EEPROM) connected to pins of the CPU. Finally a complete verify is done. If the verify fails, the contents of the I²C-Device is written to a file with the extension DMP.

Two methods to connect the I²C-Device to the CPU are supported. The first method is to use two CPU pins, one pin for clock output (I2CCLK) and one pin for serial data input and output (I2CDAT). The second method is to use one pin for clock output (I2CCLK), one for serial data input (I2CDATI) and one for serial data output (I2CDATO).

Options:

/I2CBIG

Specify this option if there is a device which needs a three byte address instead of a two byte address.

This option must be the first option after the filename.

/DEVICE-BASE=hhhhhh

This option specifies an I²C device starting address. The default values are chosen to access an serial EEPROM.

Default: /DEVICE-BASE=5000 (if option /I2CBIG omitted)

Default: /DEVICE-BASE=500000 (if option /I2CBIG specified)

/OFFSET=hhhhhh

The programming starts at an offset of hhhhhh relative to the start address of the I²C-Device.

Default: /OFFSET=0

Abbreviation: /O=

/FILE-OFFSET=hhhhhh

If FILE-OFFSET is specified, the first hhhhhh bytes of the file are skipped and not programmed to target.

Default: /FILE-OFFSET=0

Abbreviation: /FO=

`/LENGTH=hhhhh`

The number of programmed bytes may be limited to LENGTH. If no LENGTH is specified the whole file is programmed.

Abbreviation: `/L=`

`/NODUMP`

In case of a verify error the contents of the I²C-Device is written to a file with the extension .DMP. With option `/NODUMP` you can suppress this feature.

`/I2CCLK=pin_name`

Specifies the CPU pin used for serial clock output.

`/I2CDAT=pin_name`

Specifies the CPU pin used for serial data input and output. Pin_name must specify a bidirectional pin otherwise an error message occurs. Instead of one bidirectional pin one pin for serial data input and one for serial data output may be used. See option `/I2CDATO=` and `/I2CDATI=` .

`/I2CDATO=pin_name`

Specifies the CPU pin used for serial data output. Pin_name must specify a output pin otherwise an error message occurs.

`/I2CDATI=pin_name`

Specifies the CPU pin used for serial data input. Pin_name must specify a input pin otherwise an error message occurs.

Example:

`JTAGxxxx /PI2C EEPROM.CFG /I2CCLK=FLAG0 /I2CDAT=FLAG1`

This example loads the file EEPROM.CFG to a serial EEPROM connected to the pins FLAG0 and FLAG1 of the Samsung S3C24xx

2.6. Read an I²C-Device to file

Usage: JTAGxxxx /RI2C filename [/I2CBIG] /L=hhhhhh [optionlist]

The contents of an I²C-Device (i.e. a serial EEPROM) is read and written to a file. The option /LENGTH= must be specified.

Options:

/I2CBIG

This option must be the first option after the filename.

See function /PI2C (Chapter 2.5)

/DEVICE-BASE=hhhhhh

See function /PI2C (Chapter 2.5)

/OFFSET=hhhhhh

Reading of the I²C-Device starts at an offset of hhhhhh relative to the start address of the I²C-Device.

Default: /OFFSET=0

Abbreviation: /O=

/LENGTH=hhhhhh

The number of read bytes must be specified otherwise an error message occurs.

Abbreviation: /L=

/I2CCLK=pin_name

See function /PI2C (Chapter 2.5)

/I2CDAT=pin_name

See function /PI2C (Chapter 2.5)

/I2CDATO=pin_name

See function /PI2C (Chapter 2.5)

/I2CDATI=pin_name

See function /PI2C (Chapter 2.5)

Example:

JTAGxxxx /I2C EEPROM.CFG /I2CCLK=GP26 /I2CDAT=GP27 /L=100
This example reads 256 bytes from a serial EEPROM to the file EEPROM.CFG.
The serial EEPROM is connected to the pins CP26 and GP27 of the Samsung
S3C24xx.

2.7. Verify an I²C-Device with file

Usage: JTAGxxxx /I2C filename [/I2CBIG] [optionlist]

The contents of an I²C-Device (i.e. a serial EEPROM) is compared with the specified file. If there are differences the contents of the I²C -Device is written to a file with the extension DMP.

Options:

/I2CBIG

This option must be the first option after the filename.

See function /PI2C (Chapter 2.5)

/DEVICE-BASE=hhhhhh

See function /PI2C (Chapter 2.5)

/OFFSET=hhhhhh

See function /PI2C (Chapter 2.5)

/FILE-OFFSET=hhhhhh

See function /PI2C (Chapter 2.5)

/LENGTH=hhhhhh

See function /PI2C (Chapter 2.5)

/NODUMP

See function /PI2C (Chapter 2.5)

/I2CCLK=pin_name

See function /PI2C (Chapter 2.5)

/I2CDAT=pin_name

See function /PI2C (Chapter 2.5)

/I2CDATO=pin_name

See function /PI2C (Chapter 2.5)

/I2CDAT=pin_name

See function /I2C (Chapter 2.5)

Example:

JTAGxxxx /I2C EEPROM.CFG /I2CCLK=GP26 /I2CDAT=GP27

This example verifies 256 bytes from a serial EEPROM with the file EEPROM.CFG. The serial EEPROM is connected to the pins CP26 and GP27 of the Samsung S3C24xx.

2.8. Dump an I²C-Device

Usage: JTAGxxxx /DUMPI2C [/I2CBIG] [optionlist]

A Hex-Dump of an I²C-Device is printed on the screen, if not redirected to file or device.

Options:

/I2CBIG

This option must be the first option.

See function /PI2C (Chapter 2.5)

/DEVICE-BASE=hhhhhh

See function /PI2C (Chapter 2.5)

/OFFSET=hhhhh⁴

The memory dump starts at an offset of hhhhhh.

Default: /OFFSET=0

Abbreviation: /O=

/LENGTH=hhhhh

Default: /LENGTH=100

Abbreviation: /L=

/I2CCLK=pin_name

Specifies the CPU pin used for serial clock output.

/I2CDAT=pin_name

Specifies the CPU pin used for serial data input and output. Pin_name must specify a bidirectional pin otherwise an error message occurs. Instead of one bidirectional pin one pin for serial data input and one for serial data output may be used. See option /I2CDATO= and /I2CDATI= .

/I2CDATO=pin_name

Specifies the CPU pin used for serial data output. Pin_name must specify a output pin otherwise an error message occurs.

⁴hhhhh=number base is hex

`/I2CDATI=pin_name`

Specifies the CPU pin used for serial data input. Pin_name must specify a input pin otherwise an error message occurs.

Example:

`JTAGxxxx /DUMPI2C /I2CCLK=FLAG0 /I2CDAT=FLAG1`

This example makes a memory dump of the first 100h bytes of a serial EEPROM connected to the CPU.

2.9. Toggle CPU pins

Usage: JTAGxxxx /BLINK /PIN=pinname [optionlist]

This command allows to test the hardware by blinking with LEDs or toggling CPU signals. Faster signals can be generated by setting the delay option to zero. This can be a very helpful feature to watch signals on an oscilloscope.

The signal on the defined pin has an duty cycle of 1/2: The level is 67% high and 33% low.

Please Note: Not every pin of the Samsung S3C24xx may be specified as an output pin.

Options:

/PIN=pin_name

CPU pin to toggle. If the option /PIN= is not specified an error message occurs. Most pins of the list in chapter 1.9 "Initialization file JTAGxxxx.INI" can be used. If you type /PIN= without any pin declaration a list of the CPU pins is displayed.

/DELAY=dddddd⁵

Time to wait to next change of signal. This option can be adjusted to get optimum signals for measures with the oscilloscope.

Default: /DELAY=10000

Example:

JTAGxxxx /BLINK /PIN=FLAG3 /DELAY=0

This example toggles the FLAG3 pin very fast which can be followed by the use of an oscilloscope.

⁵dddddd=number base is decimal

2.10. Polling CPU pins

Usage: JTAGxxxx /PIN? /PIN=pinname [optionlist]

This command allows to test the hardware by polling CPU signals.

Please Note: Not every pin of the Samsung S3C24xx may be specified as an input pin.

Options:

/PIN=pin_name

CPU pin to poll. If the option /PIN= is not specified an error message occurs. Most pins of the list in chapter 1.9 "Initialization file JTAGxxxx.INI" can be used. If you type /PIN= without any pin declaration a list of the CPU pins is displayed.

Example:

JTAGxxxx /PIN? /PIN=RESET#

This example samples the reset pin of the Samsung S3C24xx.

2.11. Polling CPU pins while the CPU is running

Usage: JTAGxxxx /SAMPLE /PIN=pinname [optionlist]

This command is similar to the function /PIN?. But with this function any pin can be observed, independent of the pin direction. Furthermore the CPU remains in normal operation.

Options:

/PIN=pin_name

CPU pin to poll. If the option /PIN= is not specified an error message occurs. All pins of the list in chapter 1.9 "Initialization file JTAGxxxx.INI" can be used. If you type /PIN= without any pin declaration a list of the CPU pins is displayed.

Example:

JTAGxxxx /SAMPLE /PIN=FLAG3

This example samples the state of the port pin FLAG3 while the Samsung S3C24xx is running.

2.12. Show status of all CPU pins while the CPU is running

Usage: JTAGxxxx /SNAP [optionlist]

This function is similar to the function /SAMPLE, but displays the status of all CPU pins on the screen. The CPU remains in normal operation.

The behavior of the function /SNAP depends on the option /REP: With this option specified, the JTAG-Booster samples and displays the state of the CPU pins repetitive. Without this option the status of the pins is displayed only once.

Options:

/PAUSE

Use this option to stop the output after each displayed screen. Don't use this option together with the option /REP or if the output is redirected to a file.

Abbreviation /P

/REP

If this option is specified the status of the pins is sampled and displayed repetitive. In case of many signals the display is separated into several screens. Therefor we recommend to use a video mode with 43 or 50 lines. Use the '+' and the '-' key to switch between different screens. Any other key terminates the program.

Sample output:

This is a sample output for a Samsung S3C2410

1 LEND	1 VCLK	1 VLINE	1 VM
1 VFRAME	1 LCDVF0	1 LCDVF1	1 LCDVF2
1 VD0	1 VD1	1 VD2	1 VD3
1 VD4	1 VD5	1 VD6	1 VD7
1 VD8	1 VD9	1 VD10	1 VD11
1 VD12	1 VD13	1 VD14	1 VD15
1 VD16	1 VD17	1 VD18	1 VD19
0 VD20	0 VD21	0 VD22	0 VD23
1 I2SLRCK	1 I2SSCLK	1 CDCLK	0 I2SDI
1 I2SDO	1 SDCLK	1 SDCMD	1 SDDAT0
1 SDDAT1	1 SDDAT2	1 SDDAT3	1 SPIMISO0
1 SPIMOSI0	1 SPICLK0	1 IIC SCL	1 IICSDA
1 EINT8	1 EINT9	1 EINT10	1 EINT11
1 EINT12	1 EINT13	1 EINT14	1 EINT15
1 EINT16	1 EINT17	1 EINT18	1 EINT19
1 EINT20	1 EINT21	1 EINT22	1 EINT23
1 CLKOUT0	1 CLKOUT1	1 CON1#	1 CON0#
1 EINT0	1 EINT1	1 EINT2	1 EINT3
1 EINT4	1 EINT5	1 EINT6	1 EINT7
1 UCLK	1 CTS0#	1 RTS0#	1 TXD0
1 RXD0	1 TXD1	1 RXD1	1 TXD2
1 RXD2	1 BATT_FLT#	1 RSTOUT#	1 PWREN
1 RESET#	1 EXTCLK	1 FCE#	1 FRE#
1 FWE#	0 ALE	0 CLE	1 WAIT#
1 GCS7#	1 GCS6#	1 GCS5#	1 GCS4#
1 GCS3#	1 GCS2#	1 GCS1#	0 GCS0#
1 SCKE	0 SCLK1	0 SCLK0	1 WE#
0 OE#	1 BE0#	1 BE1#	1 BE2#
1 BE3#	1 SRAS#	1 SCAS#	0 ADDR0
0 ADDR1	0 ADDR2	0 ADDR3	1 ADDR4
1 ADDR5	0 ADDR6	0 ADDR7	1 ADDR8
1 ADDR9	0 ADDR10	0 ADDR11	0 ADDR12
0 ADDR13	0 ADDR14	0 ADDR15	0 ADDR16
0 ADDR17	0 ADDR18	0 ADDR19	0 ADDR20
0 ADDR21	0 ADDR22	0 ADDR23	0 ADDR24
0 ADDR25	0 ADDR26	0 DATA0	0 DATA1
1 DATA2	1 DATA3	1 DATA4	1 DATA5
1 DATA6	1 DATA7	1 DATA8	1 DATA9
1 DATA10	1 DATA11	1 DATA12	1 DATA13
1 DATA14	1 DATA15	0 DATA16	0 DATA17

0 DATA18	0 DATA19	0 DATA20	0 DATA21
1 DATA22	1 DATA23	1 DATA24	1 DATA25
1 DATA26	1 DATA27	1 DATA28	1 DATA29
1 DATA30	1 DATA31	1 TOUT0	1 TOUT1
1 TOUT2	1 TOUT3	1 TCLK0	0 XBACK#
1 XBREQ#	1 XDACK1#	1 XDREQ1#	1 XDACK0#
1 XDREQ0#			

3. Implementation Information

This chapter summarizes some information about the implementation of the JTAG-Booster and describes some restrictions.

- The JTAG-Booster currently uses Boundary Scan to perform Flash programming. The EmbeddedICE macrocell of the ARM920 core is not used.
- Programming of NAND-Flash is currently not supported.
- The software assumes the following scheme for connecting the Flash-EPROM to the Samsung S3C24xx. Please contact us, if you have used a different method.

S3C2410 signal	8 Bit Flash	16 Bit Flash	32 Bit Flash
GCS0# GCS1# GCS2# GCS3# GCS4# GCS5# GCS6# GCS7#	CS#	CS#	CS#
OE#	OE#	OE#	OE#
WE#	WE#	WE#	WE#
ADDR0	A0	-	-
ADDR1	A1	A1	-
ADDR2..26	A2..26	A2..26	A2..26
DATA0..7	D0..7	-	-
DATA0..15	-	D0..15	-
DATA0..31	-	-	D0..31

- 1.) All other signals are hold static during flash programming. The state of these signals is defined in the Initialization file.

4. Converter Program HEX2BIN.EXE

Since the JTAG-Booster software is not able to handle Intel-HEX or Motorola S-Record files, an separate converter tool is delivered with this product package.

Five types of HEX formats can be converted to BIN file:

- I : INTEL HEX format (BYTE oriented)
- D : Digital Research
- M : MOTOROLA S HEX format (BYTE oriented)
- T : TEKTRONICS HEX format (BYTE oriented)
- H : Intel HEX-32

Maximum conversion size is 256 kBytes. A 4th parameter for starting address can be specified to skip out the leading garbage and you will maintain a small size of output binary file.

If you start the HEX2BIN without any additional parameter all necessary parameters will be asked for in a prompt mode:

```

HEX2BIN
Input HEX file name: MYAPP.H86
Output BIN file name[MYAPP.BIN]:
HEX file format
<I>ntel /<M>otorola /<D>igital Research /<T>ektronics /[H] Intel HEX-32[I] : H
Input CODE segment start address[0000000]: 10000
Input CODE segment end address[FFFFFFFF]:
Unused bytes will be <1>00 <2>FF [1] : 2
    
```

Instead of using the prompt mode, you can directly specify all necessary parameters in the command line. This is essential for making batch files:

```
HEX2BIN MYAPP.H86 MYAPP.BIN H 0010000 FFFFFFFF 2
```

It is very important to fill unused bytes with 0xFF, because this are simply skipped by the JTAG-Boosters software and so it speeds up the programming performance.

Please Note: "**CODE segment start address**" is interpreted as a Intel x86 architecture segment address: You have to specify a start address of 10000 to start the conversion at 1 MByte.

This converter is a relatively old DOS tool and therefor it has problems with non DOS compliant file and directory names. Avoid names with spaces, limit names to eight characters. Otherwise the converter does not convert the input file, without any error message!!

5. Support for Windows NT, Windows 2000 and Windows XP

A configured run time version of the "Kithara DOS Enabler, Version 6.x" is used to give support for some of our DOS based tools (like the JTAG-Booster) for Windows NT, Windows 2000 and Windows XP. After installation of the "DOS Enabler" the accesses to the LPT ports are allowed for the all programs listed in file Readme_WinNT.txt

Note: Accesses to the ports are only allowed for the programs listed in file Readme_WinNT.txt. If you rename one of our tools, the DOS Enabler does not work.

Important: You need administrator rights to install or de-install this program.

5.1. Installation on a clean system

If you have a clean system without having installed a previous version of the "Kithara Tool Center", this tool is really simple to install. Extract the ZIP file to a new folder and start KSETUP.EXE. Everything is done within a few seconds. No additional input is needed. Now reboot your PC.

5.2. Installation with already installed version 5.x/6.x of Kithara

If you have already installed an older WinNT support (Kithara Version 5.x or 6.x), you have to de-install it 1st as described in chapter 5.4.

After rebooting your PC you can install the Kithara 6.x as described above.

5.3. Installation with already installed version 4.x of Kithara

Important!! If you have already installed an older WinNT support, you have to deinstall it completely!!!

- Start kcenter
- Select Register "Einstellungen" (=Settings) and deactivate "VDD benutzen" and "speziellen seriellen Treiber benutzen".
- Stop Kernel

- exit the kcenter program
- Now you can deinstall the Kithara Package with:
Settings - Control Panel.
All unused parts must be removed.
- Reboot your PC
- Now you can install the Kithara 6.x as described above.

5.4. De-Installation version 5.x/6.x:

For deinstallation of the runtime version of the "Kithara DOS-Enabler Version 5.x/6.x":

- use: Settings - Control-Panel - Add/Remove Programs
and remove the
"FS FORTH-SYSTEME WinNT Support"
and/or
"WinNT Support for JTAG-Booster and FLASH166"
- Reboot your PC