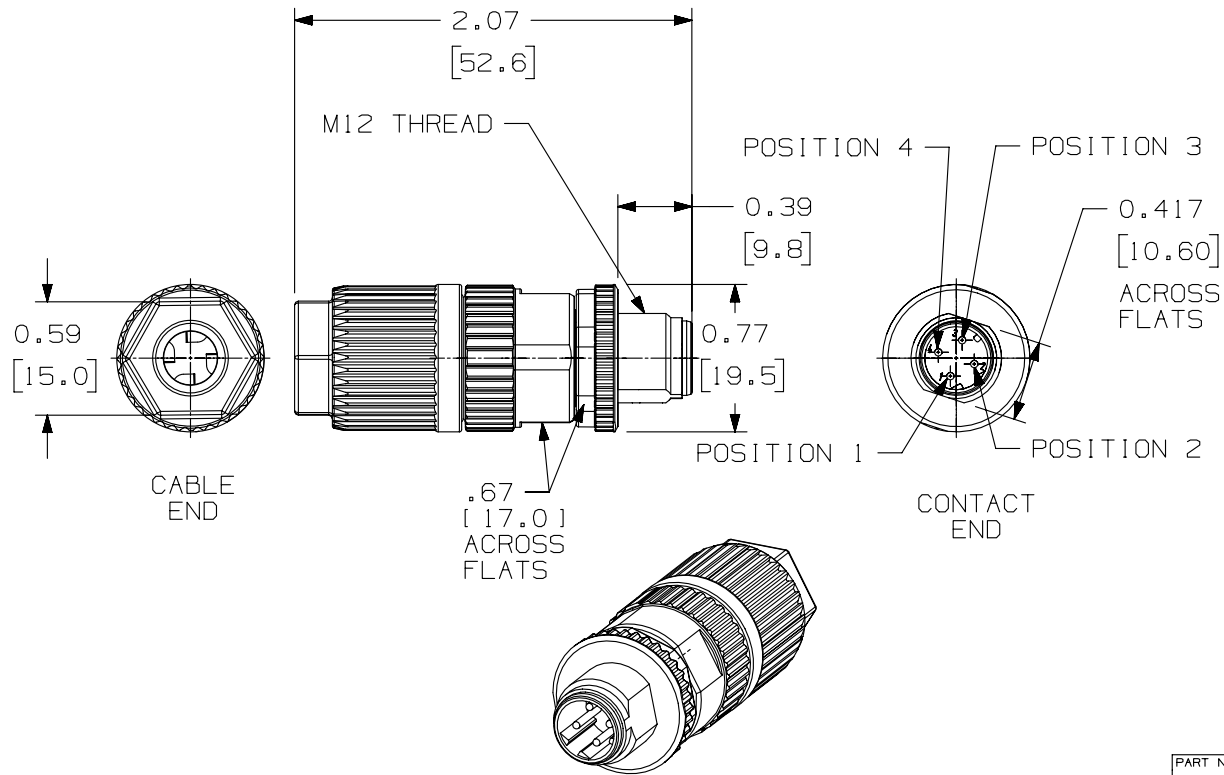


THIS COPY IS PROVIDED ON A RESTRICTED BASIS AND IS NOT TO BE USED IN ANY WAY DETRIMENTAL TO THE INTERESTS OF PANDUIT CORP.



- NOTES:
- CONSTRUCTED TO MEET THE CONNECTOR STANDARDS ANSI/TIA-568-C.2 CAT5E ISO 11801, IEC 61076-2-101 AND IEC 60532-4.
 - THE TRANSMISSION PERFORMANCE IS 10/100MBIT ETHERNET AND IS ADEQUATE FOR PoE ACCORDING TO IEEE 802.3af AND PoE ACCORDING TO IEEE 802.3at
 - MEETS THE FOLLOWING CATEGORIES:
 - CATEGORY 5E/CLASS EA PER ISO/IEC 11801 DIN EN 50173-1
 - ELECTRICAL:
 - WORKING VOLTAGE: 50V
 - WORKING CURRENT: 4A
 - NUMBERS OF CONTACTS: 4
 - CONTACT GENDER: PIN
 - MECHANICAL:
 - TERMINATION CYCLES WITH SAME CROSS SECTION WIRE: 10
 - RECOMMENDED TIGHTENING TORQUE: 0.443 FL/LBS [0.6N/M]
 - HEXAGONAL WRENCH: SW 13MM
 - CABLE CONSTRUCTION ACCEPTANCE:
 - CONDUCTOR DIAMETER:
 - SOLID: 22/1 AWG-26/1 AWG
 - STRANDED: 26/7 AWG-22/7 AWG, 0.017"-0.026" [0.42MM-0.66MM]
 - INSULATION DIAMETER (DIAMETER OF DIELECTRIC (DOD)): 0.043"-0.079" [1.10MM-2.00MM]
 - CABLE DIAMETER (DIAMETER OF JACKET (DOJ)): 0.177"-0.346" [4.5MM-8.8MM]
 - CONSTRUCTION:
 - ALL MATERIALS AND COMPONENTS USED MUST MEET THE MATERIAL RESTRICTIONS OF RoHS, (EUROPEAN DIRECTIVE 2011/65/EU ON THE RESTRICTION OF HAZARDOUS SUBSTANCES) AS PROPOSED BY THE RoHS TECHNICAL ADAPTATION COMMITTEE.
 - COMPONENT MATERIALS:
 - LOCK NUT: (ZN) DIECAST/(NI) PLATED
 - SEAL: PA 6.6 AND TPU
 - SPLICE ELEMENT: (ZN) DIECAST, (NI), PLASTIC PART IS PA 6.6
 - CONNECTOR HOUSING: (ZN) DIECAST, (NI) PLATED AND PLASTIC PART IS PA 6.6
 - CONTACTS: BRASS/(AU) PLATED
 - ENVIRONMENTAL:
 - OPERATING TEMPERATURE: -13° F--+185° F [-25° C--+85° C]
 - STORAGE TEMPERATURE: -13° F--+185° F [-25° C--+85° C]
 - INGRESS PROTECTION RATING (IP): IP65/IP67
 - WEIGHT: 1.02 LBS/10 PCS [462.66g/10 PCS]

PART NUMBER	I SPS5E44MF A	PRODUCT SPEC/PKG SPEC	N/A
I.I. NUMBER	N/A	WORK INSTRUCTION	N/A

TITLE		FIELD TERMINABLE M12 D-CODE 4 POSITION PLUG CONNECTOR	
CUSTOMER DRAWING		PANDUIT	
ITEM REVISION NAME	13M438AM/00		
DATASET FILE NAME	13M438AM_DC02/00B	MATERIAL:	
UNLESS OTHERWISE SPECIFIED, DIMENSIONAL TOLERANCES ARE: IN [mm]		DRAWING NUMBER:	
.x ± .1 [2.54]	.xxx ± .005 [0.127]	13M438AM-02	
.xx ± .01 [0.25]	ANGLES ± 5°	THIRD ANGLE PROJECTION	
DRAWN BY	DATE	CHK	SCALE
BJN	1-27-14	DCS	FULL
REV	DATE	BY	CHK
1	3-24-14	BJN	DCS
R	1-27-14	BJN	DCS
DESCRIPTION		APR	ECN
13M438AM-02			
13M438AM-02			
SHT 1 OF 1			A

D10100DA/14