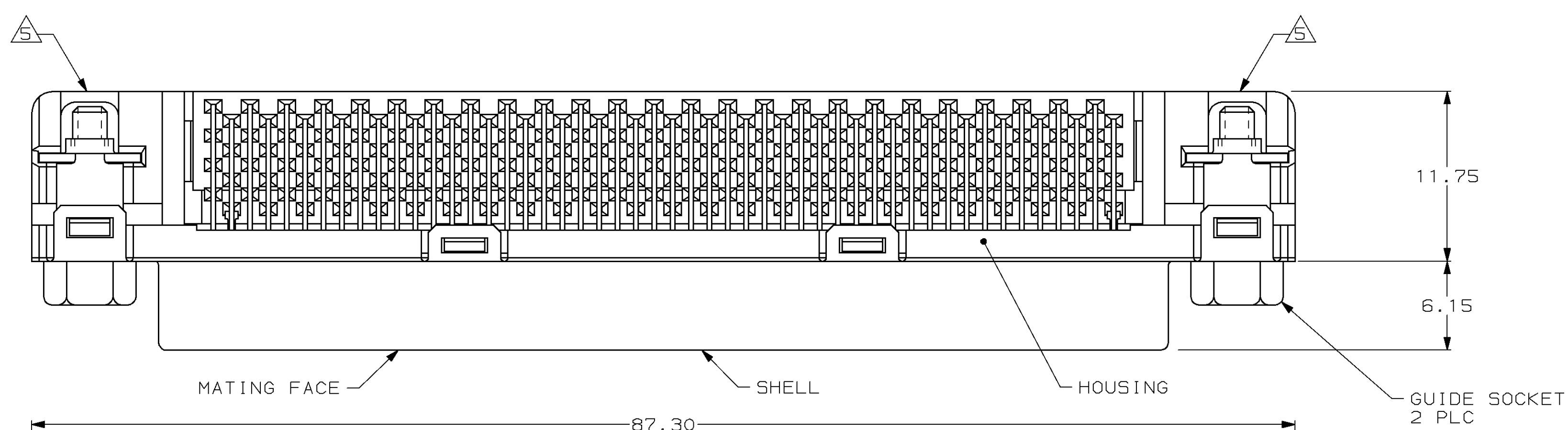
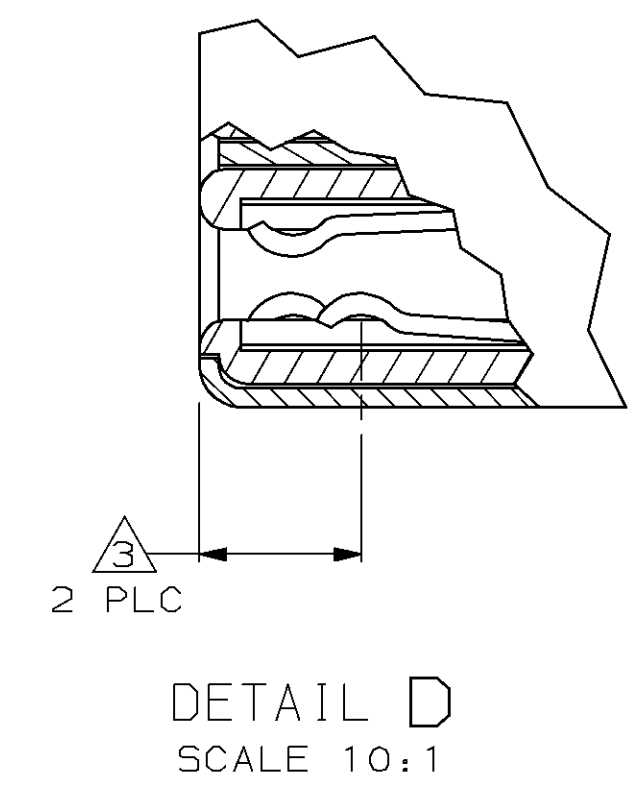
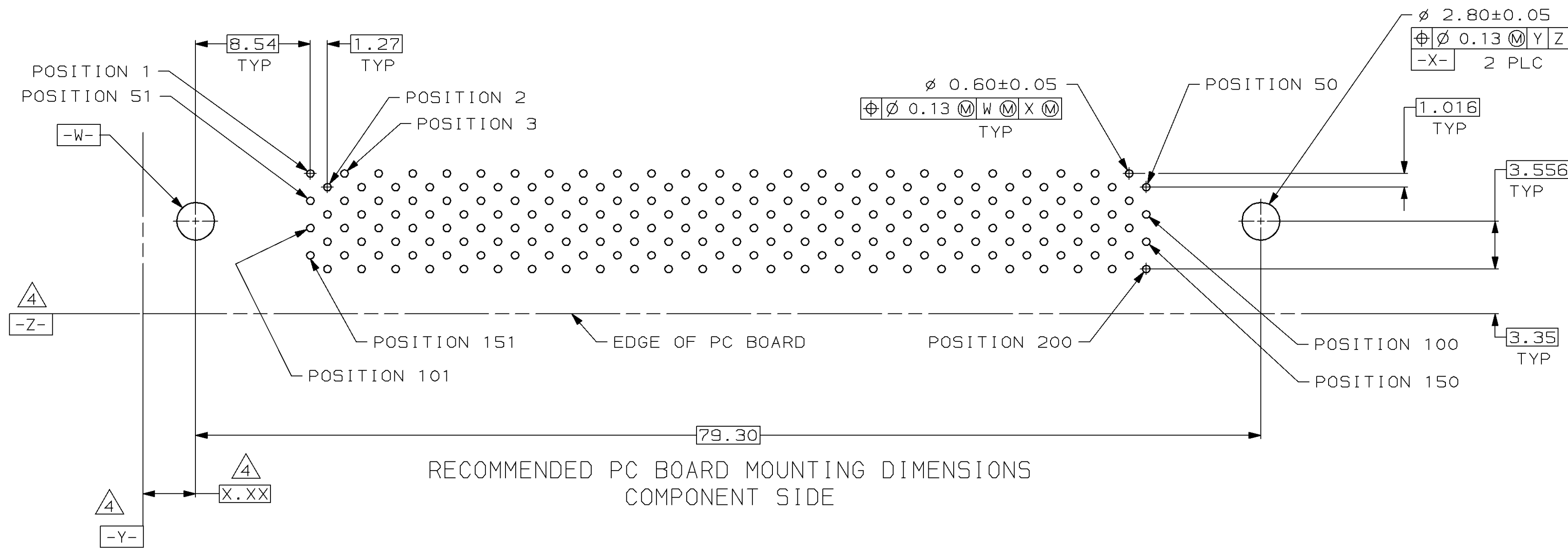
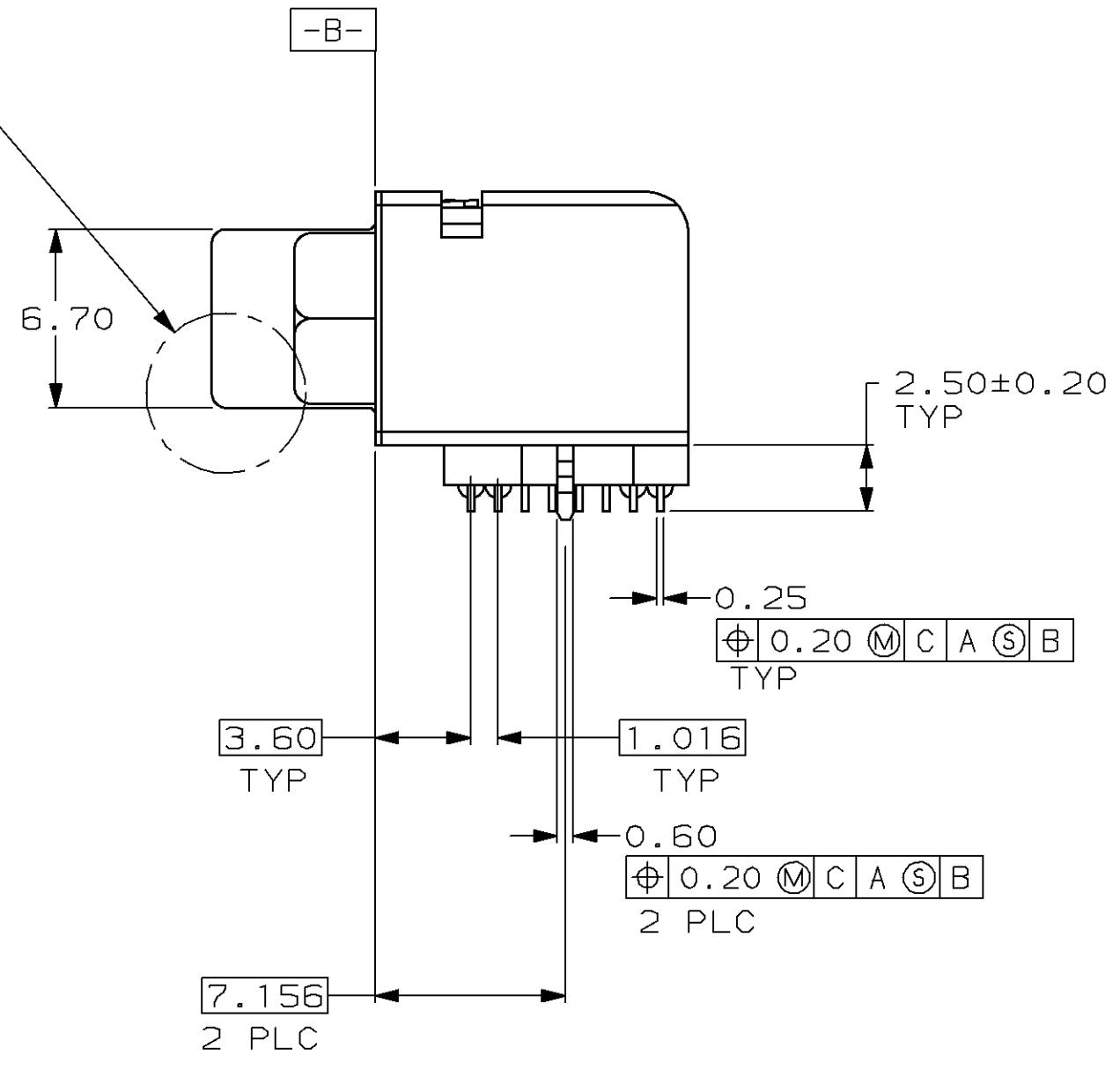
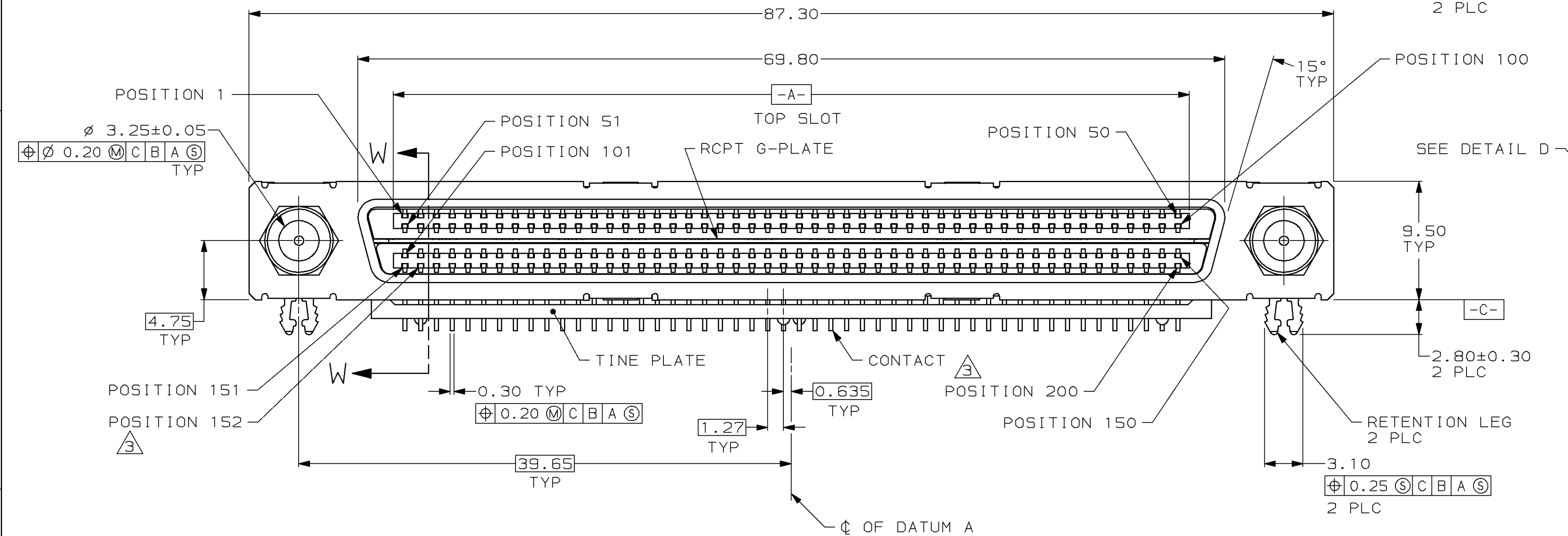


LOC		DIST		REVISIONS			
P	LTR	DESCRIPTION	DATE	OWN	APVD		
0		RELEASED PER NPR 5572 WAS 96-1997-7-2	01 AUG 96	-	-		
A		REV PER EC 0410-186-97	13 MAY 97	CD	JM		
B		REV PER EC 0410-434-97	11 NOV 97	CD	JM		



- ① HOUSING AND TINE PLATE: POLYESTER, NATURAL.  
CONTACTS: PHOSPHOR BRONZE.  
SHELL: CARBON STEEL.  
RCPT G-PLATE: STAINLESS STEEL.  
GUIDE SOCKET AND RETENTION LEG: BRASS.
- ② CONTACTS: 0.76μm MIN GOLD FOR A LENGTH OF 1.10 MIN FROM MATING END,  
2.54 MIN TIN-LEAD FOR A LENGTH OF 2.80 MIN FROM OPPOSITE END,  
BOTH OVER 1.27μm MIN NICKEL.  
SHELL: 3.00μm MIN NICKEL OVER 1.30μm MIN COPPER.  
RETENTION LEG: 2.00μm MIN TIN-LEAD OVER 1.00μm MIN NICKEL.  
GUIDE SOCKET: NICKEL OVER COPPER.
- ③ CONTACTS 152 AND 200, ARE SEQUENCED AWAY FROM MATING FACE.
- ④ DATUMS AND BASIC DIMENSIONS ESTABLISHED BY CUSTOMER.
- ⑤ DATE CODE MAY BE MARKED ON EITHER END.



787883-1  
PART NUMBER

THIS DRAWING IS A CONTROLLED DOCUMENT.		DWN C. DORWART 01 AUG 96	AMP Incorporated Harrisburg, PA 17105-3508
DIMENSIONS:		CHK J. MOSIER 02 OCT 96	
TOLERANCES UNLESS OTHERWISE SPECIFIED:		NAME J. MOSIER 02 OCT 96	RECEPTACLE ASSEMBLY, 200 POSITION, RIGHT ANGLE, .050, CHAMP™
0 PLC ±.2		PRODUCT SPEC	
1 PLC ±0.25		APPLICATION SPEC	SIZE A1
2 PLC ±.25		WEIGHT	CAGE CODE 00779
3 PLC ±.25		CUSTOMER DRAWING	DRAWING NO 787883
4 PLC ±.25		SCALE 4:1	SHEET 1 OF 1
ANGLES ±3°		REV B	