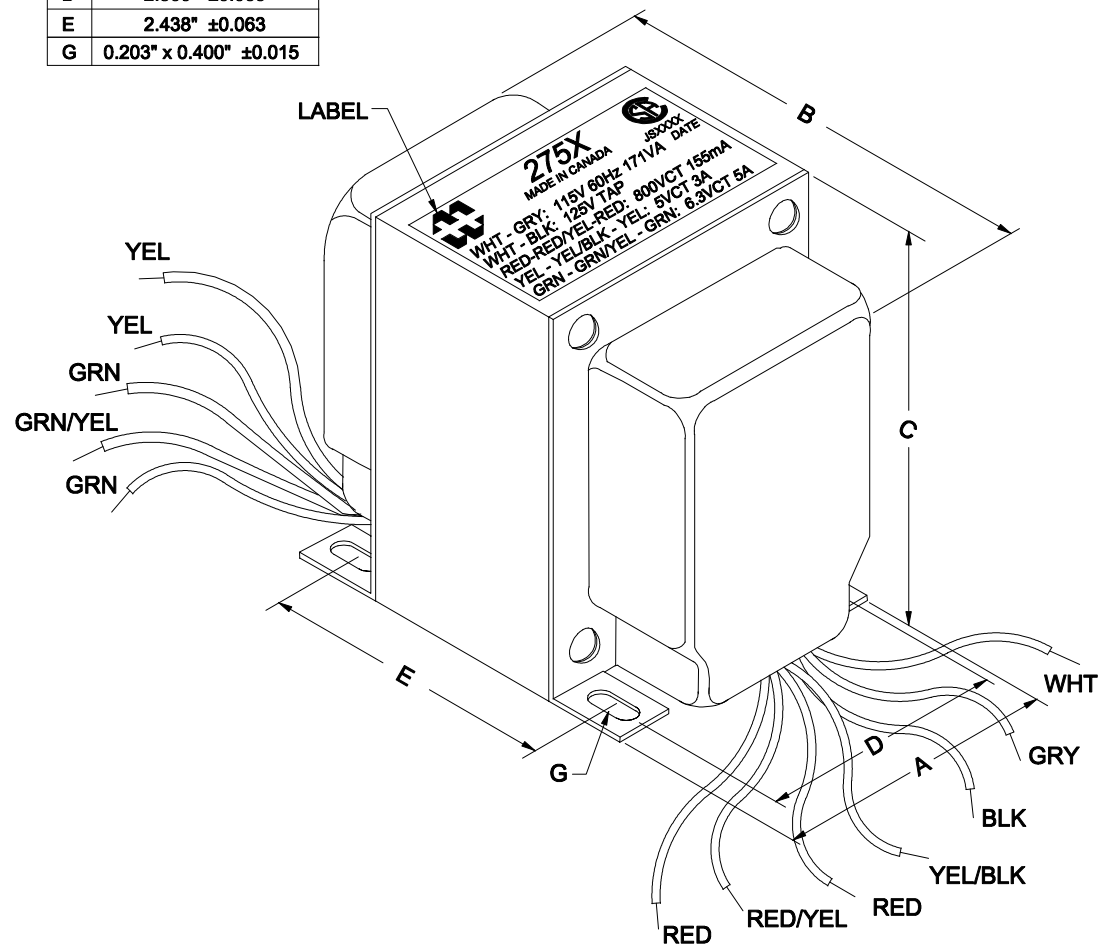
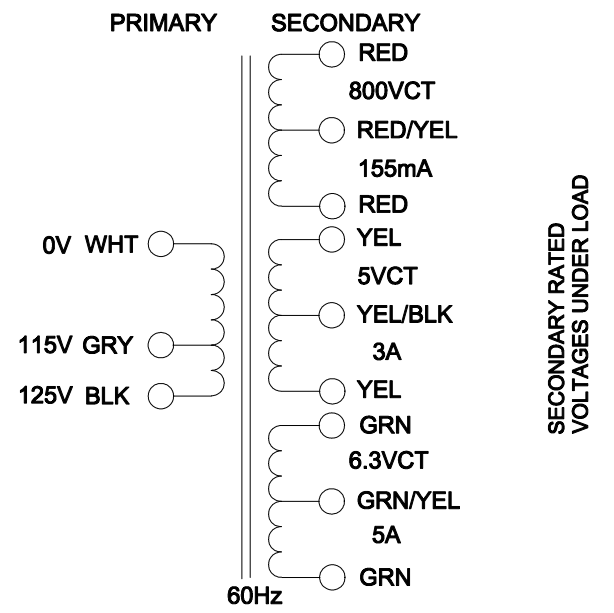


DIMENSIONS:	
A	3.125" ±0.063
B	3.686" ±0.125
C	3.800" ±0.063
D	2.500" ±0.063
E	2.438" ±0.063
G	0.203" x 0.400" ±0.015



NOTE: ALL LEADS 6" OUT MIN. STRIPPED 0.5"



ELECTRICAL DATA:		
TESTS	CONDITIONS	ACCEPTANCE CRITERIA
Iex	@ 125V, 60Hz, WHT - BLK	327.6mA Max.
Sec. N.L.V	@ 125V, 60Hz, WHT - BLK	
	RED - RED =	858.0V ±2%
	RED - RED/YEL = RED/YEL - RED =	429.0V ±2%
	YEL - YEL =	5.527V ±2%
	YEL - YEL/BLK = YEL/BLK - YEL =	2.764V ±2%
	GRN - GRN =	6.803V ±2%
	GRN - GRN/YEL = GRN/YEL - GRN =	3.401V ±2%
DCR	@ 20°C, WHT - BLK =	1.793 Ω ±20%
	@ 20°C, RED - RED =	119.2 Ω ±20%
	@ 20°C, YEL - YEL =	0.088 Ω ±20%
	@ 20°C, GRN - GRN =	0.036 Ω ±20%
HIPOT	PRIMARY - SECONDARY	3000V, 60Hz, 1 SEC

REV.#	REVISION	DATE	HAMMOND ELECTRONIC DIVISION		52 RANKIN PLACE, WATERLOO, ONTARIO, N2J 3Z5		PH # (519) 886-6181
0	RELEASED.	C.I. 11/29/12	MANUFACTURING™				FAX # (519) 886-9540
			DWG. BY: C. ILIE	CHK'D BY:	TITLE: POWER TRANSFORMER	DWG. NO. 275X	
			DATE: 11/29/12	APP'D. BY:			
				DIMENSIONS: IN(X) MM()			