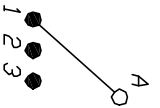
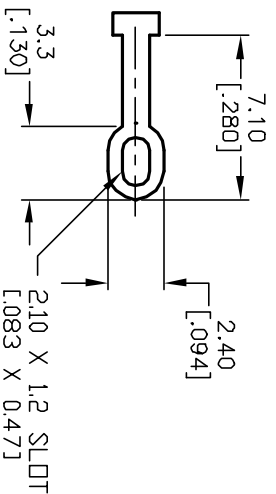
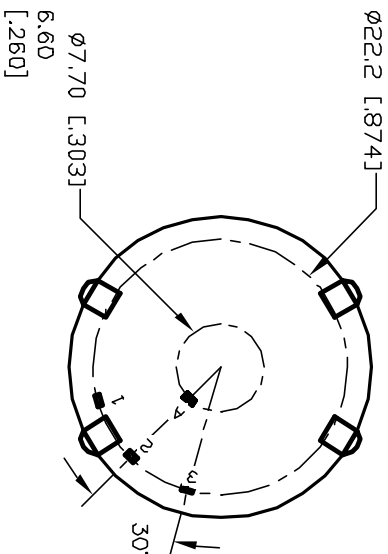
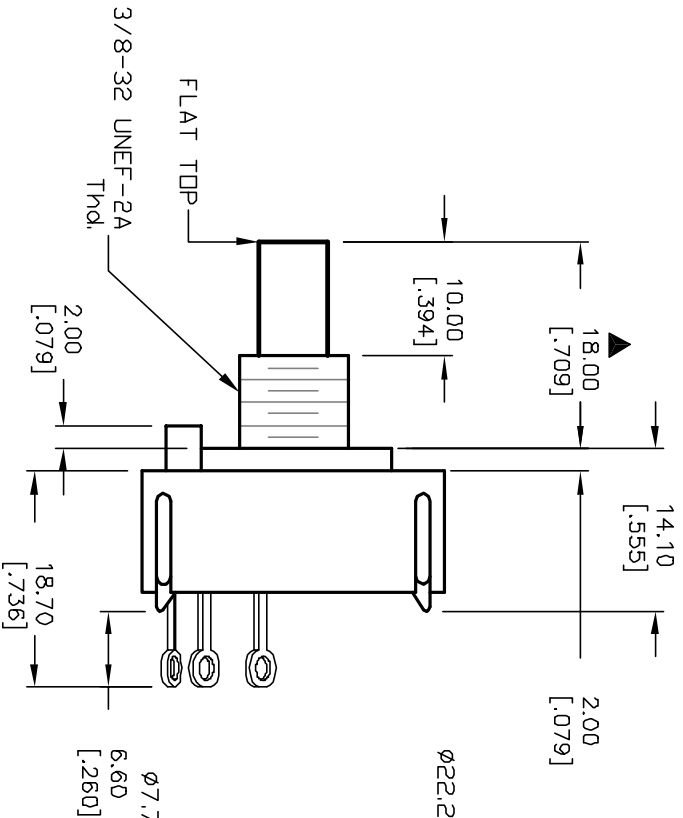
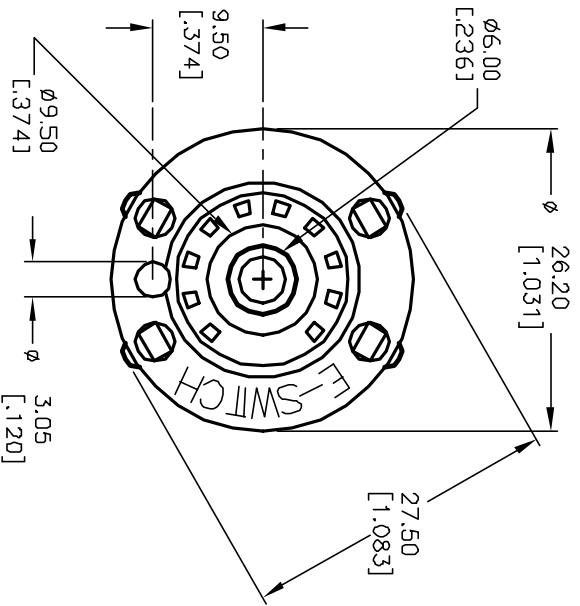


NOTES:

1. ALL DIMENSION IN MM [INCH]
2. GENERAL TOLERANCE: X.X=±0.4
X.XX=±0.25
3. TERM. NOS. FOR REF. ONLY
4. CONTACT RATING SWITCHING: 150mA, 250V AC/DC
350mA, 110V AC/DC
5. CONTACT RATING (NON-SWITCHING) 5A
6. CONTACT MATERIAL: SILVER OVER COPPER ALLOY
7. OPERATING FORCE: 425±100 CM/STANDARD
8. OPERATING TEMP: -30° to 85°C
9. CIRCUIT SP: 3 POSITIONS, 30° INDEX
10. DIELECTRIC STRENGTH 1000V RMS min. @ SEA LEVEL
11. DESIGNATE MAJOR DIMENSIONS



CONTACT CONFIGURATION
Timing: Non-Shorting



TERMINATION DETAIL
SCALE 2X

| | | | | | | | | | | | |
|---|--|---------|--|---------------------------|--|----------|--|----------|--|-----|--|
| REV. A | | 12512 | | RELEASED FOR PRODUCTION | | 10/28/02 | | CJB | | | |
| REV. | | ECN No. | | DESCRIPTION | | DATE | | CHKD | | | |
| <p>THE INFORMATION CONTAINED IN THIS DOCUMENT IS PROPRIETARY TO E-SWITCH AND IS NOT TO BE COPIED OR TRANSFERRED</p> | | | | | | | | | | | |
| TITLE | | | | KC-13-B-(10.0mm) 01-N-L-S | | | | | | | |
| SCALE | | | | 1.5:1 | | DATE | | 10/28/02 | | DR | |
| | | | | CJB | | DWG | | G510572 | | REV | |
| | | | | A | | | | | | | |

E-SWITCH®