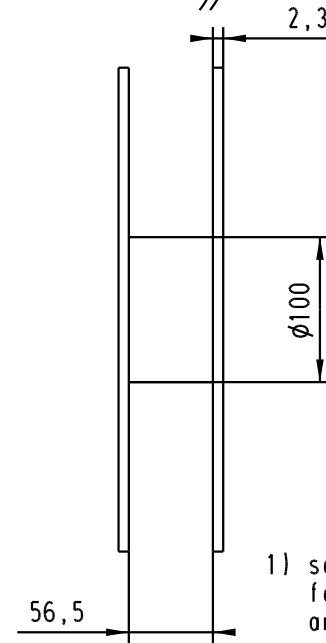
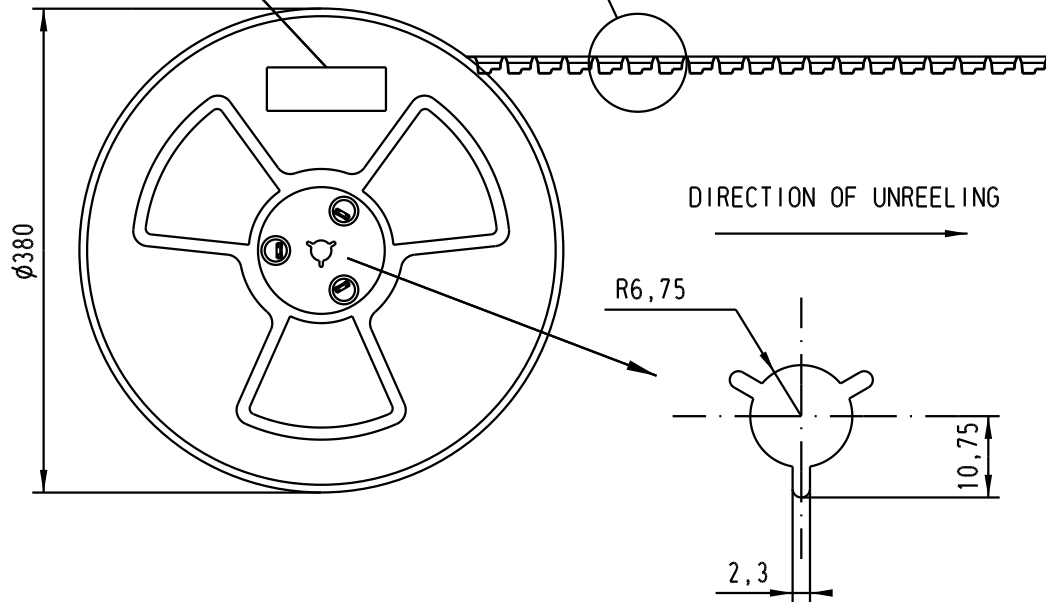
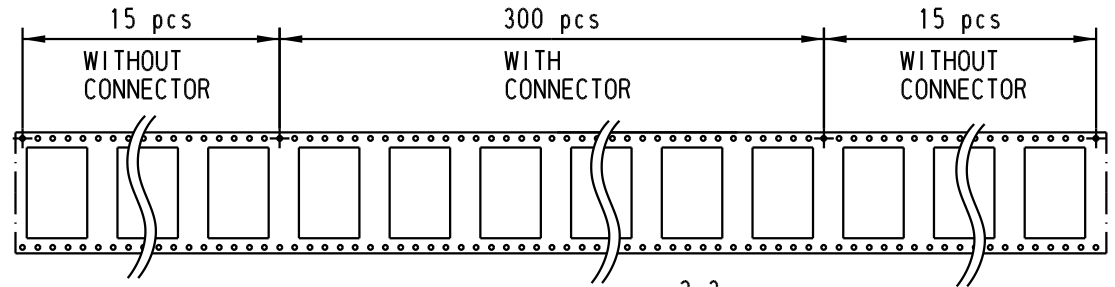
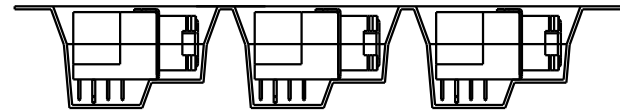
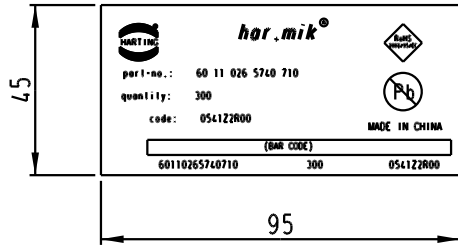


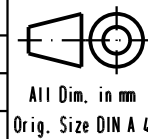
REEL LABEL



1) see TB 60 11 026 5740 folio 1/2 for connector dimensions and PC-Board layout

Packaging in accordance with EIA 481-2-A tape & reel packaging for gripping process

					Dat.	Name
					Detail.	06-OCT-05 JB
					Insp.	
					Stand.	



har.mik® I/O bellow  
26 poles female SMC  
with angled solder pins,  
boardlocks, fixed latches  
in reel unit packaging

Moßstab/  
Scale

60 11 026 5740.710	in reel unit packaging 300 connectors
part number	index designation

33470	03-MAY-06	JB
33230	06-OCT-05	JB
Mod.	Dat.	Name

HARTING EURL  
F-95972 Paris



TB 60 11 026 5740

Sub.

Blatt/ Page  
2 / 2