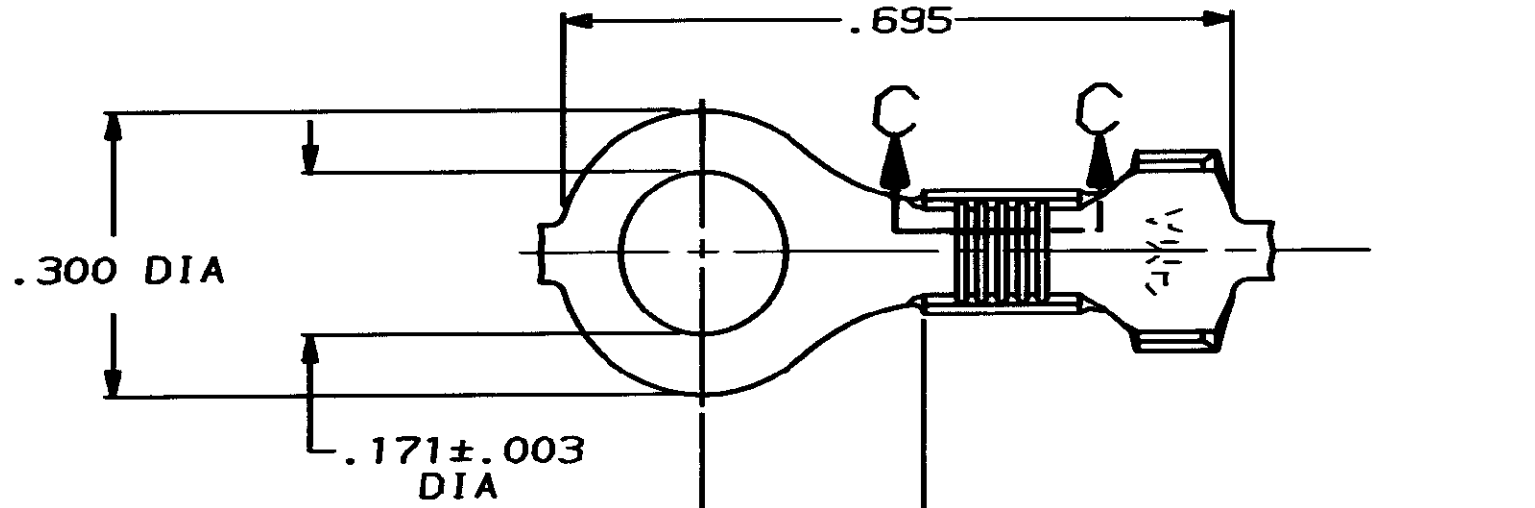


THIS DRAWING IS UNPUBLISHED. RELEASED FOR PUBLICATION, 19  
 © COPYRIGHT 19 BY AMP INCORPORATED. ALL INTERNATIONAL RIGHTS RESERVED.

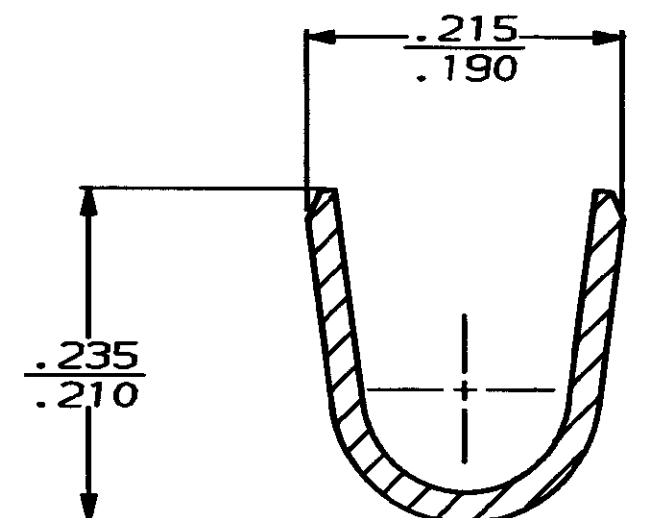
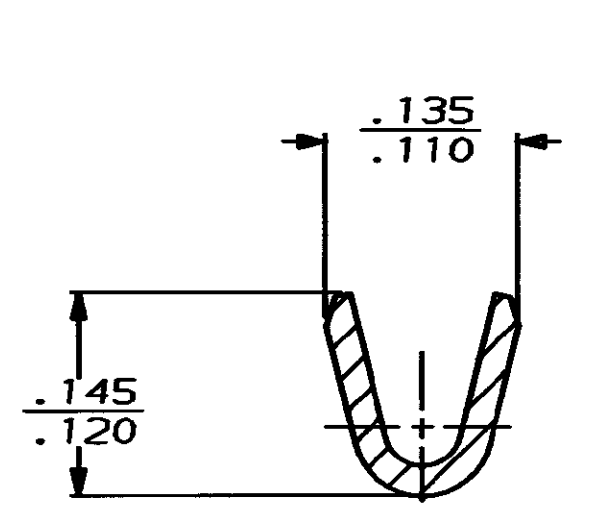
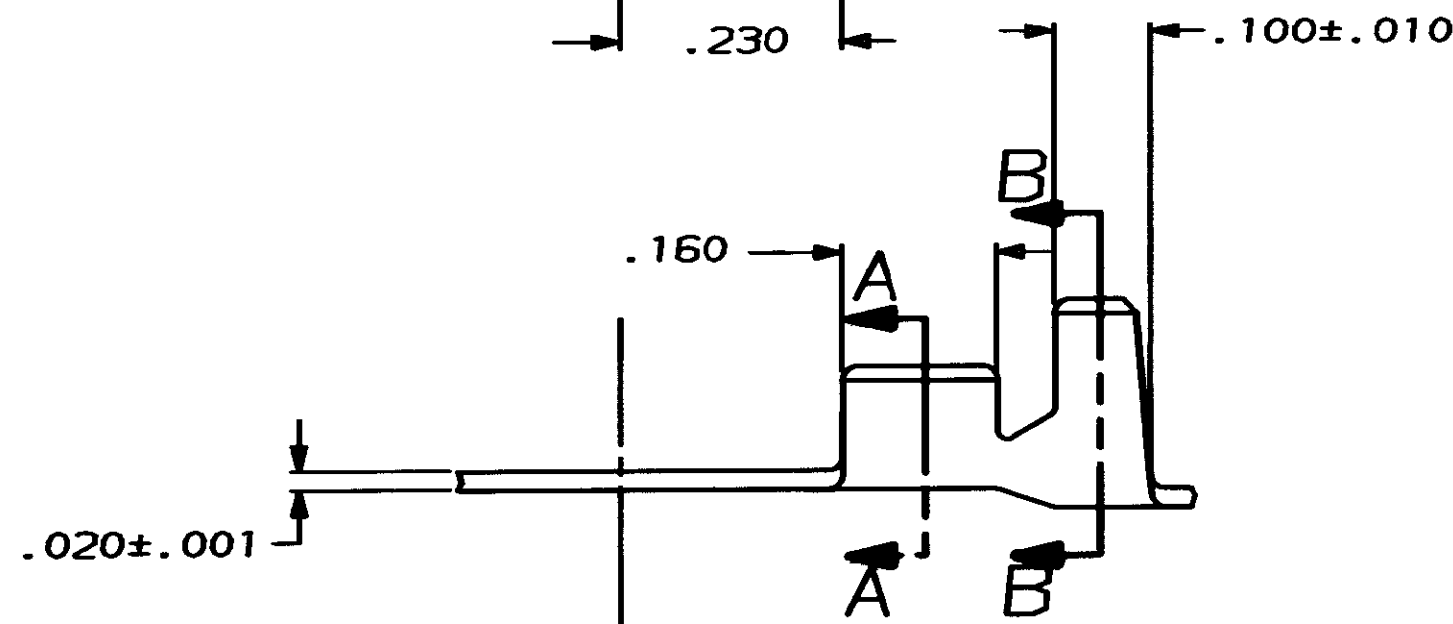
LOC	DIST	P	F	ZONE	LTR	DESCRIPTION	DATE	APPD
AF	50				F	REDRAWN PER AF-6568	PF/JR	2/28/90

D



1 CONTINUOUS STRIP ON REELS

C

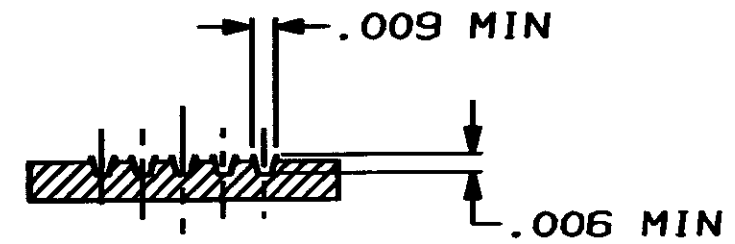


B

SECTION A-A  
SCALE 8:1

SECTION B-B  
SCALE 8:1

A



SECTION C-C  
SCALE 10:1

	.125-.165 DIA	20-16 AWG	60322-2
	INSULATION RANGE	MAGNET WIRE RANGE	PART NO
DO NOT SCALE PRINT. UNLESS SPECIFIED DIMENSIONS IN INCHES TOLERANCES ON: 2 PLC DEC ± - 3 PLC DEC ± .015 ANGLES ± -	DR 3/1/90 P FORTNEY	AMP INCORPORATED Harrisburg, Pa. 17105	
MATERIAL #2 HARD BRASS	CHK 3/1/90 NS FEVER		
FINISH .000080 MIN TIN PL PER MIL-T-10727	APPD 3/1/90 G YETTER	NAME #8 STUD, RING, AMPLIVAR	
	APPD 3/10/90 R KUZD	SIZE <b>B</b>	CAGE CODE 00779
	PRODUCT SPEC -	SCALE 5:1	DRAWING NO 60322
	APPLICATION SPEC -		SHEET 1 OF 1
	WEIGHT -		

CUSTOMER DRAWING