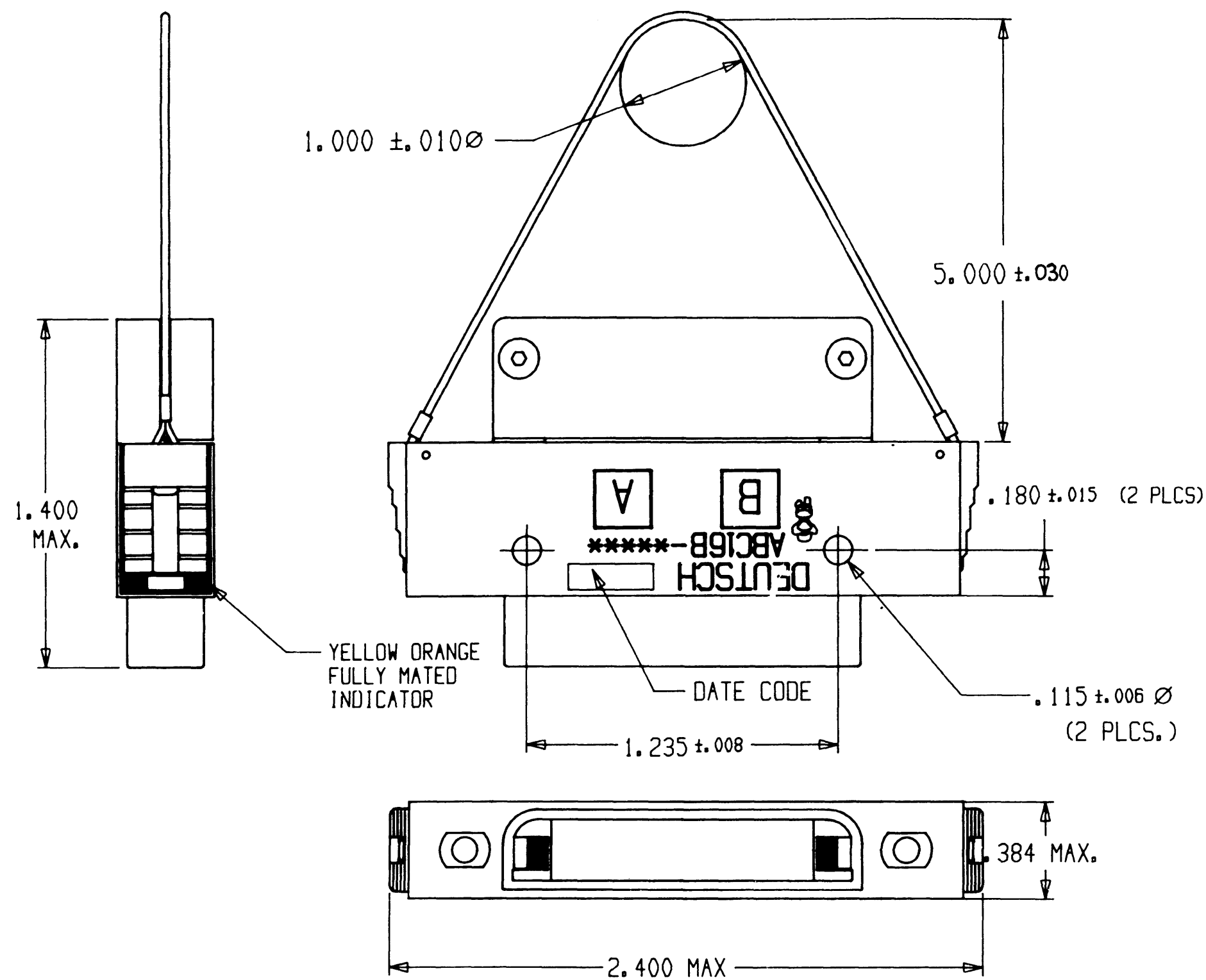


REVISIONS			
SYM	DESCRIPTION	DATE	APPROVED
C	REVISED PER E. O. A 12716	3-23-92	P



ABC * * * - * * * * - * * * *
 MODIFICATION
 KEYING POSITIONS
 A THRU Y
 SEE ENVELOPE DWG.
 55500
 MODULE ARRANGEMENTS
 SEE ENVELOPE DWG.
 55500
 7000 = 1 INCH SHELL W/
 NO MODULES
 0000 = 2 INCH SHELL W/
 NO MODULES
 STYLE
 A = PUSH PULL (RECEPT. ONLY) C = JACKSREW
 B = LANYARD RELEASE (PLUG ONLY) D = RACK AND PANEL (PLUG ONLY)
 TYPES
 0 = RECEPT. FLANGE MOUNT
 3 = RECEPT. STACK MOUNT
 6 = PLUG
 SHELL SIZE
 1=1 INCH, 2=2 INCH
 BASIC IDENTIFIER

REV	ABC16B-*****
C	

- NOTE:**
- DIMENSIONS ARE IN INCHES UNLESS OTHERWISE SPECIFIED.
 - FOR AVAILABILITY CONSULT FACTORY.
 - MATERIAL: SHELL COMPOSITE MATERIAL.
METAL COMPONENTS STAINLESS STEEL.
 - FINISH: SHELL DEUTSCH SPECIAL METALIZED SURFACE.
 - MATES WITH ABC RECEPTACLE CONNECTOR.
 - SEE DEUTSCH ENVELOPE DRAWINGS FOR:
CRIMP TOOL AND POSITIONER,
AND SOCKET CONTACTS 12336 **,
AND PIN CONTACTS 12331 **.
 - FOR INSERT ARRANGEMENTS AND KEYING
POSITIONS SEE ENVELOPE DRAWING 55500.

SIGNATURE & DATE		PLUG 1 INCH LANYARD RELEASE PUSH PULL COUPLING ABC CONNECTOR ENVELOPE	CP	MATL CODE
DR	D. WHITACRE 10/10/86		DEUTSCH ENGINEERED CONNECTING DEVICES Municipal Airport Banning, California	
CHK	U. LAZAROU 1-26-88		C	ABC16B-*****
PE	TIM HOLT 10/10/86		DWG SIZE	CODE 11139
MATERIAL		APPD		SHEET
FINISH		SCALE	NONE	WT
				OF

7 6 5 4 ↑ 3 2 1