

C5750C0G2A154J230KE

TDK Item Description : C5750C0G2A154JT***S

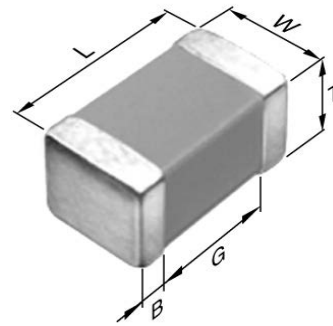


Application & Main Feature

Commercial Grade (Soft Termination)

Series

C5750 [EIA CC2220]



Dimensions

L	5.70mm +0.5,-0.4mm
W	5.00mm +/-0.4mm
T	2.30mm +0.3,-0.2mm
B	0.20mm Min.
G	

Temperature Characteristic

C0G (-55 to 125 degC 0+/-30ppm/degC)

Rated Voltage

2A (100Vdc)

Capacitance

150nF

Capacitance Tolerance

J (+/-5%)

Q Factor

1000 Min.

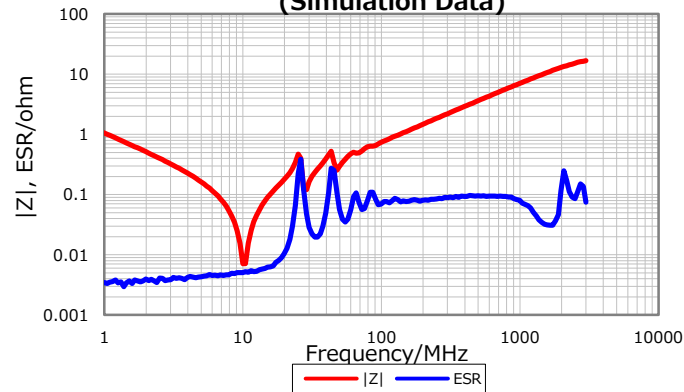
Insulation Resistance

3.333Gohm Min

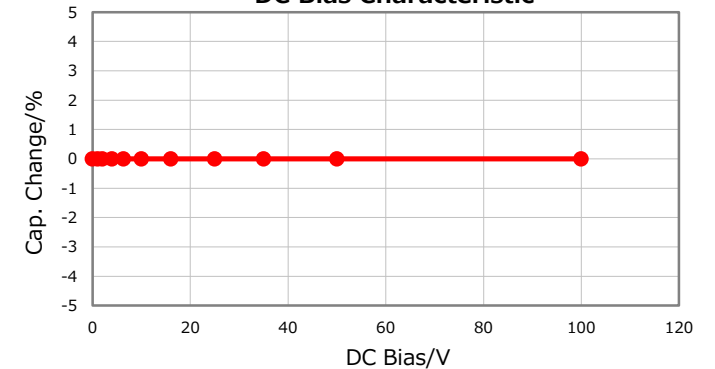
AEC-Q200

Not Applicable

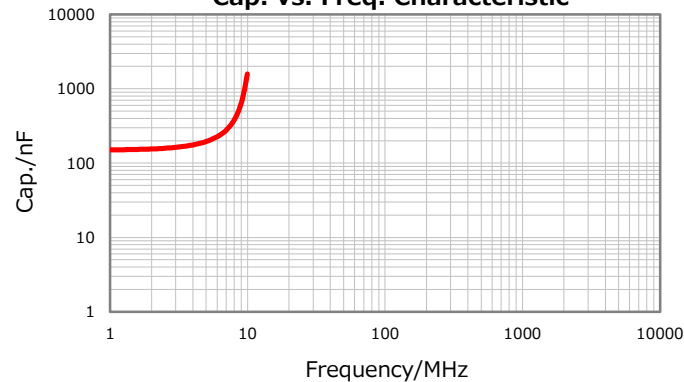
**|Z|, ESR vs. Freq. Characteristics
(Simulation Data)**



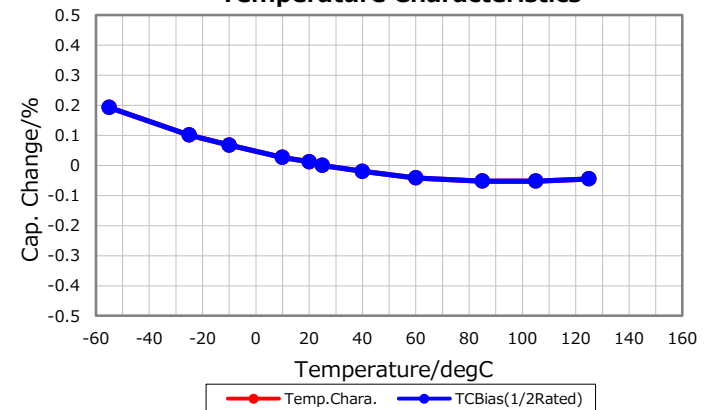
DC Bias Characteristic



Cap. vs. Freq. Characteristic



Temperature Characteristics



Characterization Sheet (Multilayer Ceramic Chip Capacitors)



All specifications are subject to change without notice.

May 12, 2017