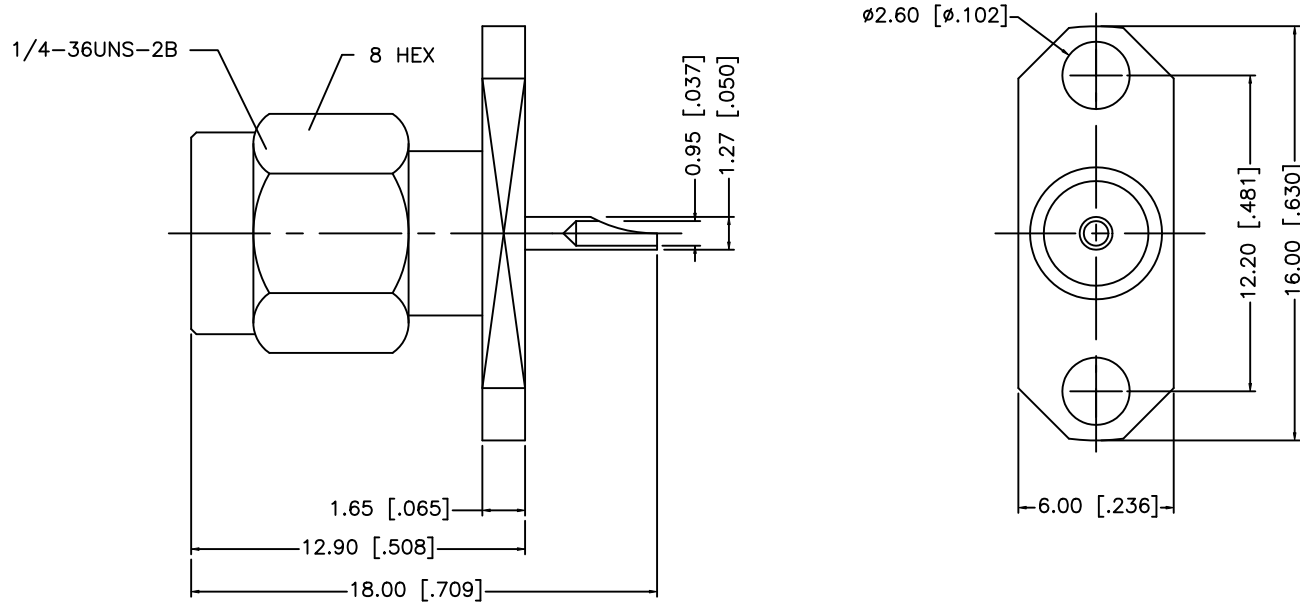


REV.	DATE	ECR NO.	DESCRIPTION
NC	09/07/08	-	INITIAL RELEASE



8				<small>UNLESS OTHERWISE SPECIFIED DIMENSIONS ARE IN MILLIMETERS. DIMENSIONS IN [] ARE IN INCHES AND FOR CUSTOMER REFERENCE ONLY.</small> <small>UNLESS OTHERWISE SPECIFIED TOLERANCES FOR MILLIMETERS ARE:</small> 0.5 - 8mm ± 0.20mm 8 - 30mm ± 0.40mm 30 - 120mm ± 0.50mm <small>UNLESS OTHERWISE SPECIFIED TOLERANCES FOR INCHES ARE:</small> .020 - .315 = ± 0.007" .315 - 1.180 = ± 0.015" 1.180 - 4.724 = ± 0.020"	APPROVALS	DATE	<h1 style="color: blue;">Amphenol Connex</h1>		
7			DRAWN		GRS	09/07/08			
6			CHECKED						
5			ISSUED						
4				SHEET	1 OF 1		PART DESCRIPTION		
3	CONTACT PIN	BER. COPPER	GOLD	1			SMA PANEL REPECTACLE SOLDER POT CONTACT		
2	INSULATOR	PTFE	NATURAL	1					
1	BODY	BRASS	GOLD	1			PART NO.		
							132141		
	DESCRIPTION	MATERIAL	FINISH	QTY	CAD FILE	DWG. NO.	REV.	SIZE	SCALE
					C:/132/132141.DWG	132141.DWG	NC	A	NA

DO NOT SCALE DRAWING