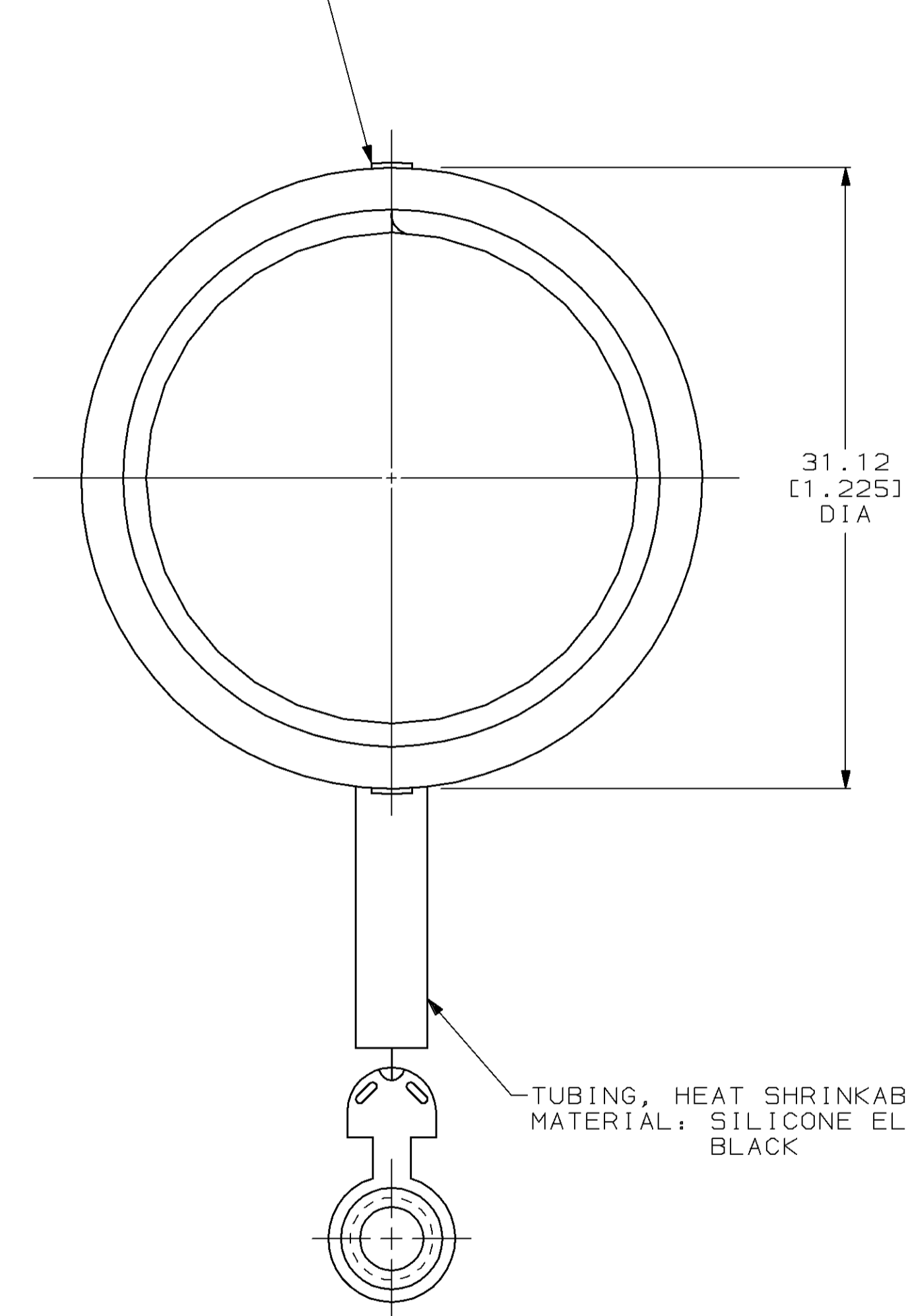


THIS DRAWING IS UNPUBLISHED. RELEASED FOR PUBLICATION
 BY AMP INCORPORATED. ALL RIGHTS RESERVED.

Loc	DIST	REVISIONS					
		P	LTR	DESCRIPTION	DATE	DWN	APVD
BD	35						
		0		RLSE PER NPR 5273 WAS 94-4955-003	01/20/95	-	-
		A		REV PER EC 0020-363-95	04/20/95	DH	AF
		B		ADDED -2 PER EC 0020-606-95	06/09/95	DH	AF

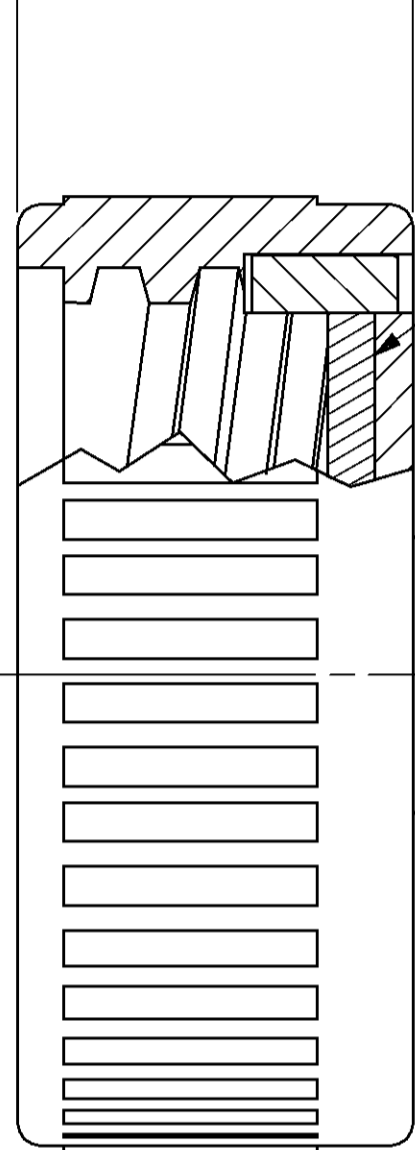
RAISED INDICATOR
ARROW



31.12
[1.225]
DIA

TUBING, HEAT SHRINKABLE: SEE TABLE
MATERIAL: SILICONE ELASTOMER,
BLACK

13.08
[.515]

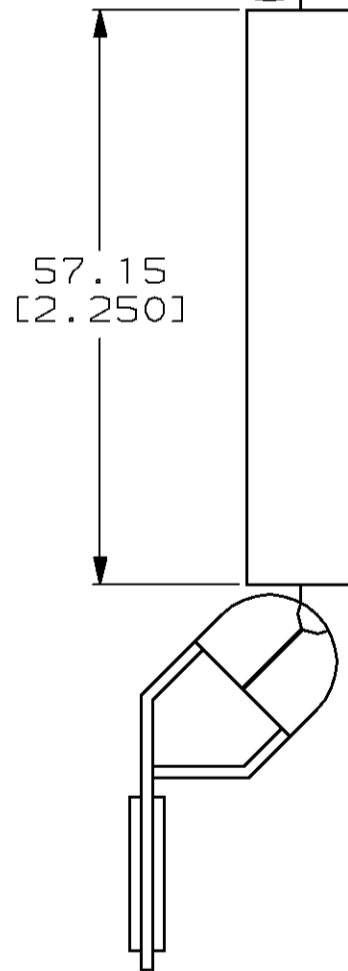


9.14 MAX
[.360]

SEALING GASKET
MATERIAL: ELASTOMER, BLACK
1.57 [.062] THK

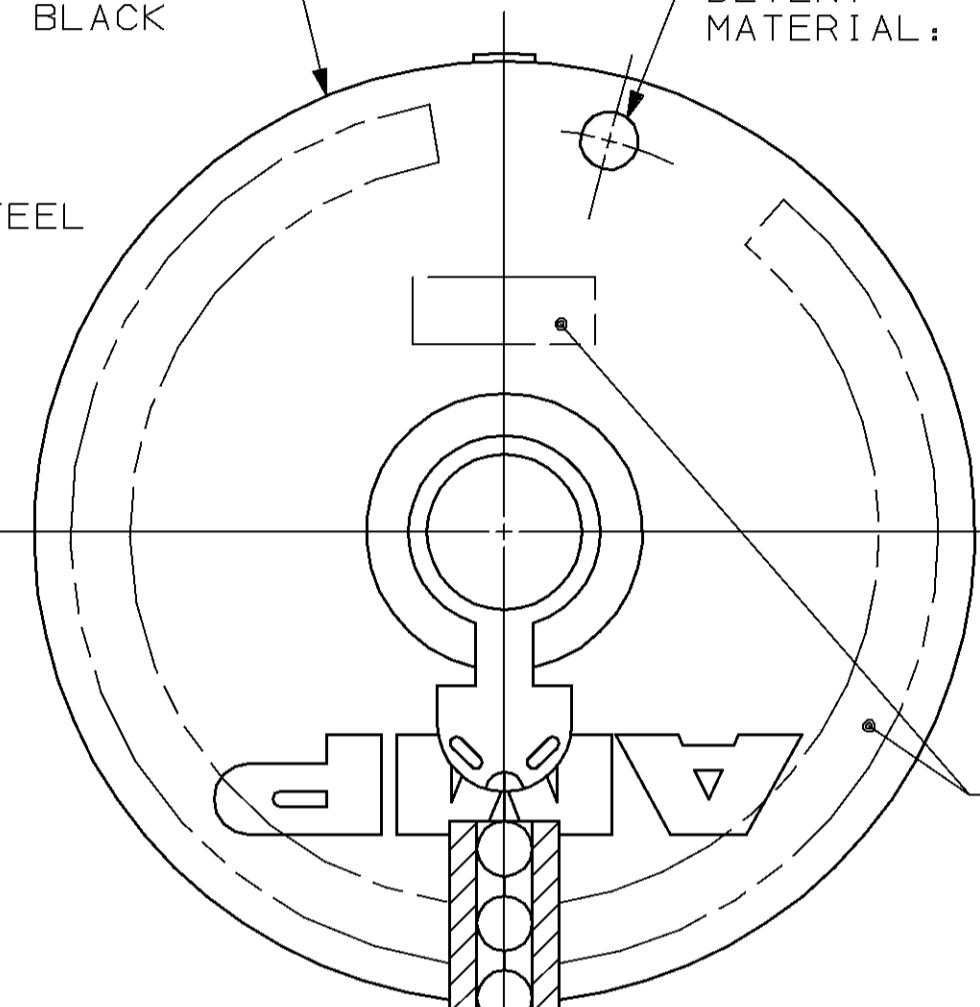
DRIVE STUD
MATERIAL: CARBON STEEL
FINISH: NICKEL PER
QQ-N-290

57.15
[2.250]



PROTECTIVE CAP
MATERIAL: ZINC PER QQ-Z-363
FINISH: 10.16µm [.000400] MIN NICKEL
PER QQ-N-290 OVER 10.16µm [.000400]
MIN COPPER PER MIL-C-14550

DETENT
MATERIAL: THERMOPLASTIC, BLACK



AMP, PART NO & DATE
CODE STAMPED IN
ANY OF THESE AREAS.

BEAD CHAIN ¹
MATERIAL: STEEL
FINISH: NICKEL PER QQ-N-290

76.20
[3.000]

COUPLING BOTH ENDS
MATERIAL: BRASS
FINISH: NICKEL PER
QQ-N-290

¹ BEADED PORTION OF CHAIN MUST ROTATE FREELY. THE EYELET OF
THE CHAIN IS NOT REQUIRED TO SPIN FREELY AROUND THE STUD.

NO	213823-2
YES	213823-1
TUBING	PART NUMBER

THIS DRAWING IS A CONTROLLED DOCUMENT FOR AMP INCORPORATED. IT IS SUBJECT TO CHANGE AND THE CONTROLLING ENGINEERING ORGANIZATION SHOULD BE CONTACTED FOR THE LATEST REVISION.		DWN K.FOLTZ 01/20/95	AMP Incorporated Harrisburg, PA 17105-3608
DIMENSIONS: mm [INCHES]		CHK R.STONE 01/20/95	
TOLERANCES UNLESS OTHERWISE SPECIFIED:		APVD A.FRANTUM 01/23/95	NAME PROTECTIVE CAP ASSEMBLY, SIZE 14, CMC
0 PLC ±-		PRODUCT SPEC	
1 PLC ±-		APPLICATION SPEC	SIZE A2
2 PLC ±0.25 [.010]		WEIGHT	CAGE CODE 00779
3 PLC ±-		CUSTOMER DRAWING	DRAWING NO C-213823
4 PLC ±-			SCALE 4:1
ANGLES ±-			SHEET 1 OF 1
FINISH SEE CALLOUTS			REV B

213823