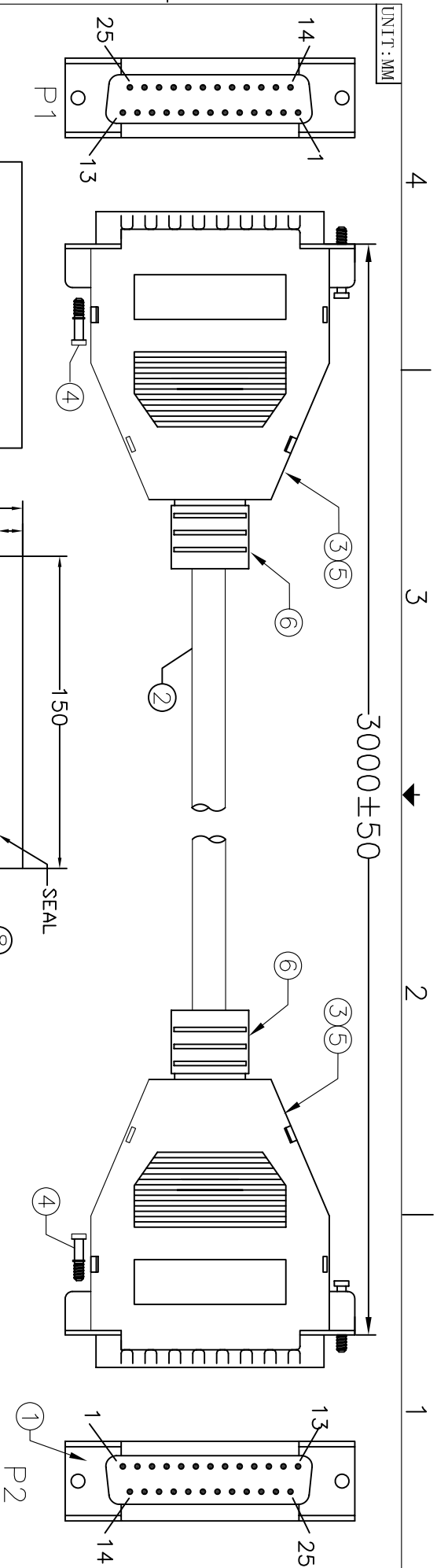
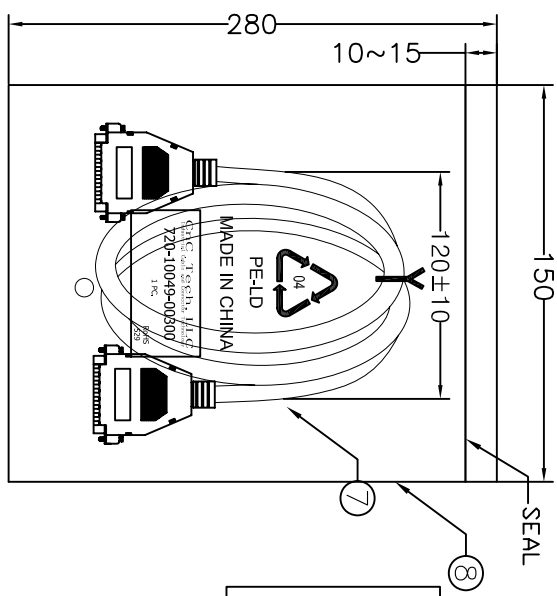


UNIT:MM



Electrical test:
 1. 100% short, open, miswire test
 2. Conduct resistance: 2 Ohm(max)
 3. Insulation resistance: 5Mohm(min)
 4. dielectric test: DC 300V

| P1 | | P2 | |
|----|-------------|----|-------------|
| 1 | WHITE | 1 | WHITE |
| 2 | GREY | 15 | YELLOW |
| 3 | YELLOW | 13 | PINK |
| 4 | PINK | 12 | ORANGE |
| 5 | ORANGE | 10 | RED |
| 6 | RED | 11 | BROWN |
| 7 | BROWN | 5 | GREEN |
| 8 | GREEN | 6 | BLUE |
| 9 | BLUE | 4 | PURPLE |
| 10 | PURPLE | 3 | LIGHT/GREEN |
| 11 | LIGHT/GREEN | 14 | LIGHT/BLUE |
| 12 | LIGHT/BLUE | 2 | BLACK |
| 13 | BLACK | 16 | WHITE/BLACK |
| 14 | WHITE/BLACK | 17 | GRAY/BLACK |
| 15 | GRAY/BLACK | 25 | DRAIN |
| 16 | DRAIN | 25 | SHELL |
| 17 | SHELL | | |
| 18 | | | |
| 19 | | | |
| 20 | | | |
| 21 | | | |
| 22 | | | |
| 23 | | | |
| 24 | | | |
| 25 | | | |



| | | | |
|-----|--------|------|---|
| ① | PE BAG | 1/10 | CLEAR SIZE: 360*380*0.05mm PRINT BLACK"MADE IN CHINA"+"10PCS" |
| ② | PE BAG | 1 | CLEAR SIZE: 150*280*0.05mm PRINT BLACK"MADE IN CHINA"+"1PC" |
| ③ | TIE | 2 | WHITE L=100MM |
| ④ | S/R | 5.5g | BEIGE(IV-29#) 45P PVC (MOULD NO.SR-51) |
| ⑤ | TUBE | 2 | 黑色热缩套管, OD1.5mm,L=30mm |
| ⑥ | SCREW | 4 | SCREW #4-40UNC L=12.5mm,NICKEL PLATED |
| ⑦ | DKN | 2 | DB25P DKN W/O NUT BEIGE |
| ⑧ | CABLE | 1 | NOUL 30AWG*15C+AE OD6.0mm COLOR BEIGE(IV-29#) |
| ⑨ | CONN | 2 | DB25P MALE SOLDER TYPE PIN G/F. BLUE INSULATION |
| NO. | NAME | QTY | SPECIFICATION |

CNC Tech, LLC
 Industrial Cable and Connector Technology

| | | | |
|------------------|---------|-------------|-----------------|
| DRAWN BY | ZHONGHS | DRAWING NO. | |
| CHECKED BY | | CUSTOMER | |
| APPROVAL BY | | ITEM NO. | 720-10049-00300 |
| DECIDE BY | | DATE | 2012-02-06 |
| VERSIONS/EDITION | A/0 | PROJECT | |

4

3

2

1