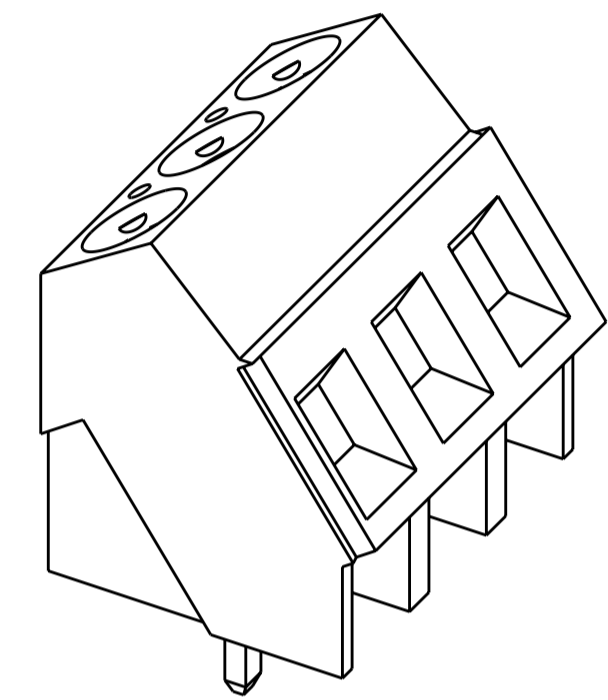
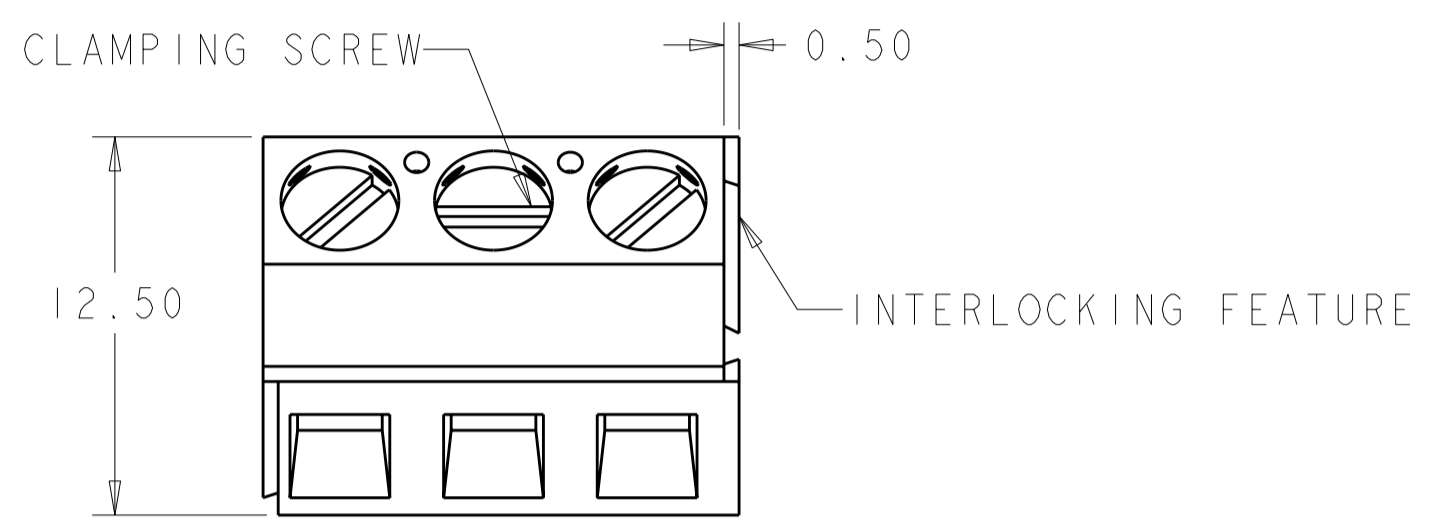
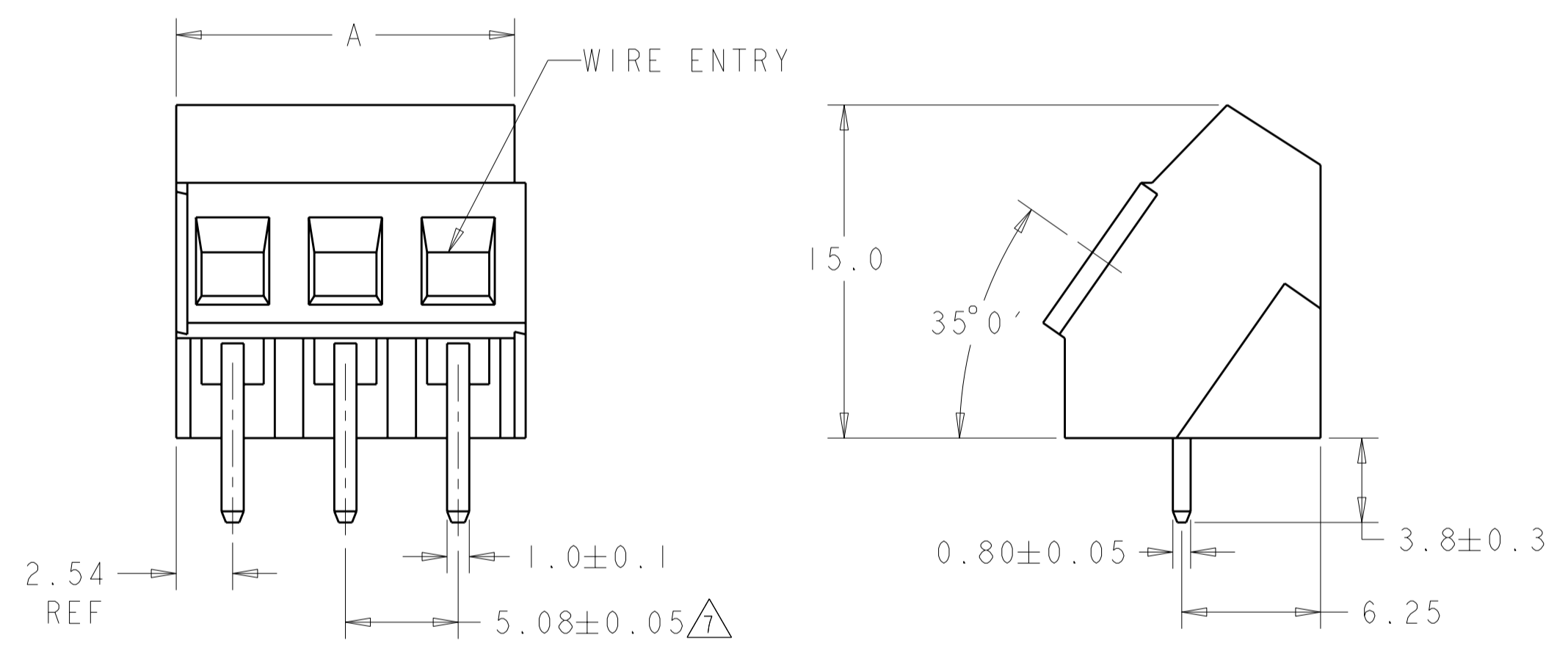


THIS DRAWING IS UNPUBLISHED. RELEASED FOR PUBLICATION 20
 © COPYRIGHT 20 BY - ALL RIGHTS RESERVED.

LOC		DIST		REVISIONS			
P	LTR	DESCRIPTION	DATE	DWN	APVD		
	D3	REVISED PER ECO-11-004820	11MAR2011	RK	HMR		

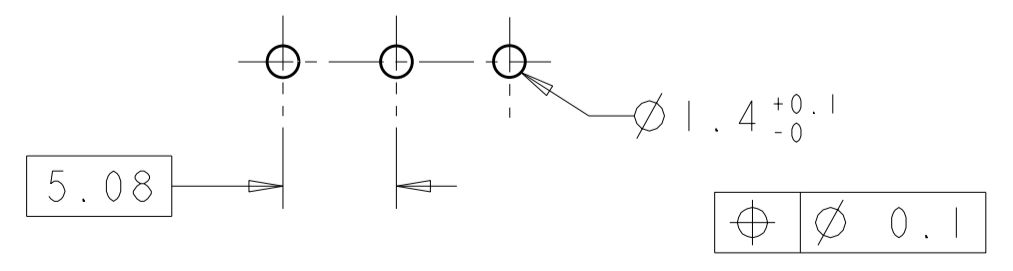


- 3 AS SHOWN



COLOR	DIM. A	MARKING	COMPOSITION	N° POS.	PART NUMBER
GREEN	15.24	9 1, 2, 3	-	3	2-282847-5
ORANGE	15.24	-	-	3	2-282847-3
	45.72	9 SEE SHEET 2	3+3+3 pos.	9	1-282847-4
	66.04	9 SEE SHEET 2	2+2+3+3+3 pos.	13	1-282847-3
	60.96	-	3+3+3+3 pos.	12	1-282847-2
	55.88	-	3+3+3+2 pos.	11	1-282847-1
	50.80	-	3+3+2+2 pos.	10	1-282847-0
GREEN	45.72	-	3+3+3 pos.	9	282847-9
	40.64	-	3+3+2 pos.	8	282847-8
	35.56	-	3+2+2 pos.	7	282847-7
	30.48	-	3+3 pos.	6	282847-6
	25.40	-	3+2 pos.	5	282847-5
	20.32	-	2+2 pos.	4	282847-4
	15.24	-	-	3	282847-3
	10.16	-	-	2	282847-2

RECOMMENDED PC BOARD LAYOUT



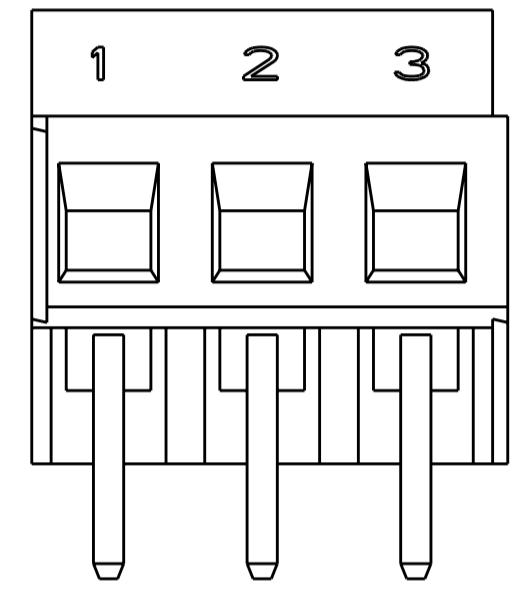
THIS DRAWING IS A CONTROLLED DOCUMENT.

DIMENSIONS: mm	TOLERANCES UNLESS OTHERWISE SPECIFIED: 0 PLC ±- 1 PLC ±.3 2 PLC ±.25 3 PLC ±. 4 PLC ±- ANGLES ±2 FINISH	DWN E. ZANOLINI 15MAR2001 CHK D. BIEVENOUR 15MAR2001 APVD D. BIEVENOUR 15MAR2001	NAME STE TE Connectivity
MATERIAL		PRODUCT SPEC APPLICATION SPEC WEIGHT	TERMINAL BLOCK, PCB MOUNT ANGLED ENTRY WIRE, STACKING W/ INTERLOCK, 5.08mm, PITCH
		SIZE A2 CAGE CODE 00779 DRAWING NO. C-282847	RESTRICTED TO
CUSTOMER DRAWING		SCALE 4:1	SHEET 1 OF 2 REV D3

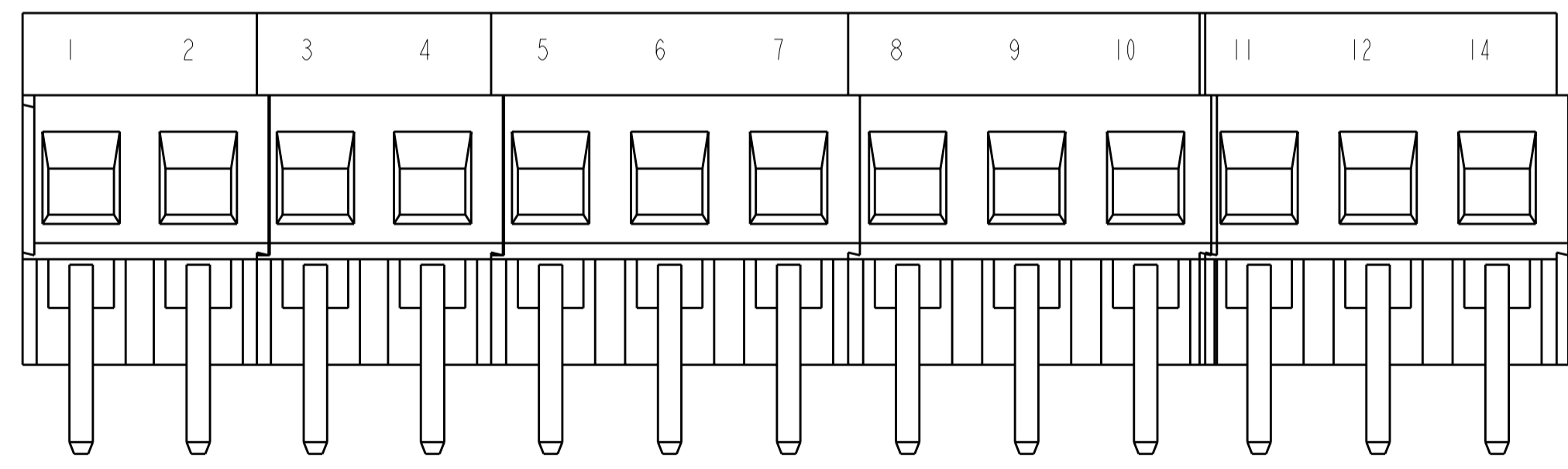
THIS DRAWING IS UNPUBLISHED. RELEASED FOR PUBLICATION 20
 © COPYRIGHT 20 BY - ALL RIGHTS RESERVED.

LOC	DIST	REVISIONS					
FT	0	P	LTR	DESCRIPTION	DATE	DWN	APVD
		-		SEE SHEET 1			

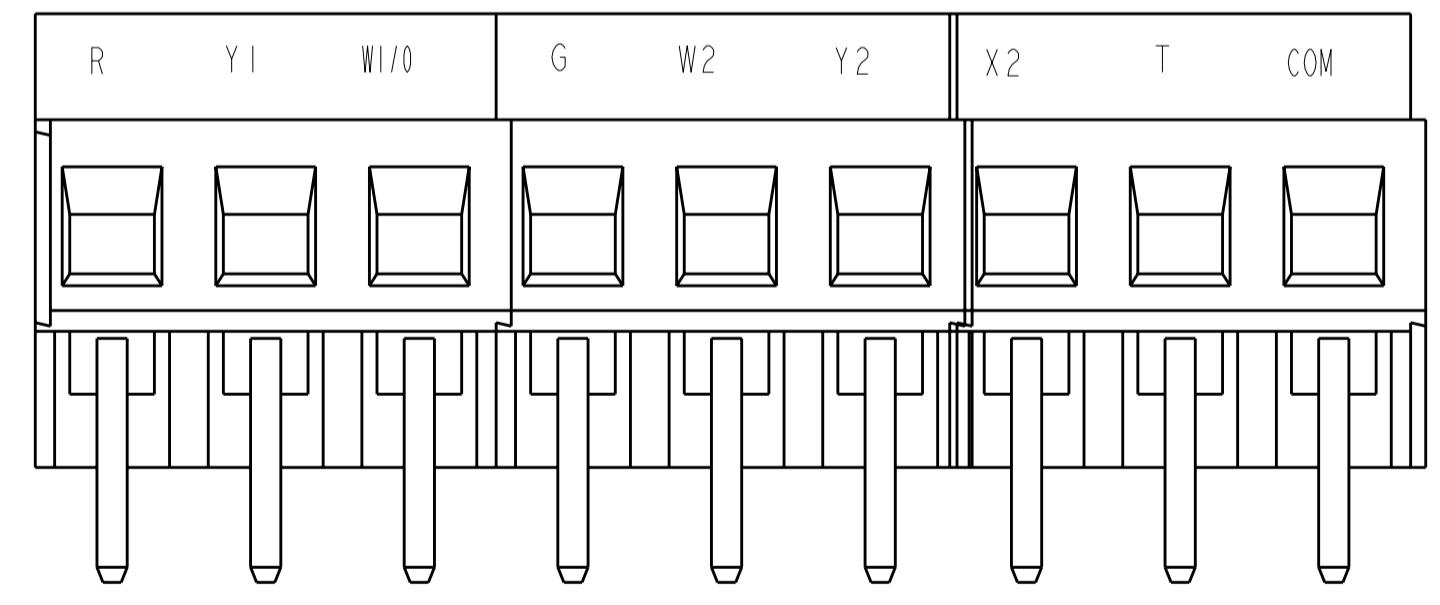
- 1 MATERIALS AND FINISH:
 HOUSING: PA 6-6, UL 94-V0, COLOR: SEE TABLE.
 CLAMP: BRASS, NICKEL PLATED.
 TERMINAL: BRASS, TIN PLATED.
 CLAMPING SCREW: M3, BRASS, NICKEL PLATED.
- 2 SUITABLE FOR 1,6-2,4mm PCB THICKNESS.
- 3 END-TO-END STACKABLE W/ INTERLOCK, WITHOUT LOSS OF CENTERLINE SPACING.
- 4 WIRE SIZE RANGE:
 SOLID WIRE: 0,03-2,5mm² (13AWG)
 STRANDED WIRE: 0,03-1,5mm² (15AWG)
- 5 RECOGNIZED UNDER THE COMPONENT PROGRAM OF UNDERWRITERS LABORATORIES INC., FILE N° E60677.
- 6 IMQ CERTIFICATE WITH SURVEILLANCE IN CONFORMITY WITH IEC 998-1/998-2-1.
- 7 NOT CUMULATIVE TOLERANCE.
- 8 P/NS OBTAINED BY GLUING AND ASSEMBLYING TOGETHER LISTED CONNECTORS.
- 9 INK MARKING, BLACK COLOR



P/N 2-282847-5 AS SHOWN



P/N 1-282847-3 AS SHOWN



P/N 1-282847-4 AS SHOWN

THIS DRAWING IS A CONTROLLED DOCUMENT.		DWN E. ZANOLINI	15MAR2001	STE TE Connectivity													
DIMENSIONS: mm		CHK D. BIEVENOUR	15MAR2001														
TOLERANCES UNLESS OTHERWISE SPECIFIED:		APVD D. BIEVENOUR	15MAR2001														
<table border="0"> <tr><td>0 PLC</td><td>±-</td></tr> <tr><td>1 PLC</td><td>±.3</td></tr> <tr><td>2 PLC</td><td>±.25</td></tr> <tr><td>3 PLC</td><td>±-</td></tr> <tr><td>4 PLC</td><td>±-</td></tr> <tr><td>ANGLES</td><td>±2</td></tr> <tr><td>FINISH</td><td></td></tr> </table>		0 PLC	±-		1 PLC	±.3	2 PLC	±.25	3 PLC	±-	4 PLC	±-	ANGLES	±2	FINISH		PRODUCT SPEC
0 PLC	±-																
1 PLC	±.3																
2 PLC	±.25																
3 PLC	±-																
4 PLC	±-																
ANGLES	±2																
FINISH																	
MATERIAL	-	APPLICATION SPEC	-	NAME TERMINAL BLOCK, PCB MOUNT ANGLED ENTRY WIRE, STACKING W/ INTERLOCK, 5.08mm, PITCH													
		WEIGHT	-	SIZE A2													
		CUSTOMER DRAWING		CAGE CODE 00779													
				DRAWING NO 282847													
				RESTRICTED TO -													
				SCALE 4:1													
				SHEET 2 OF 2													
				REV D3													