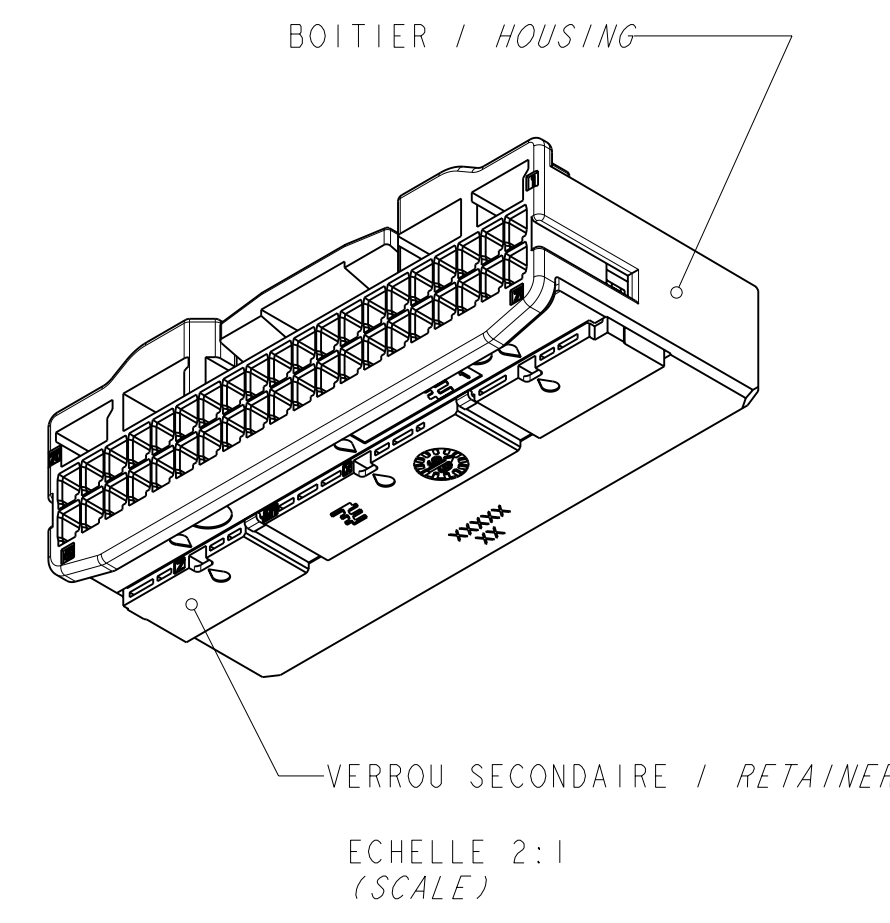
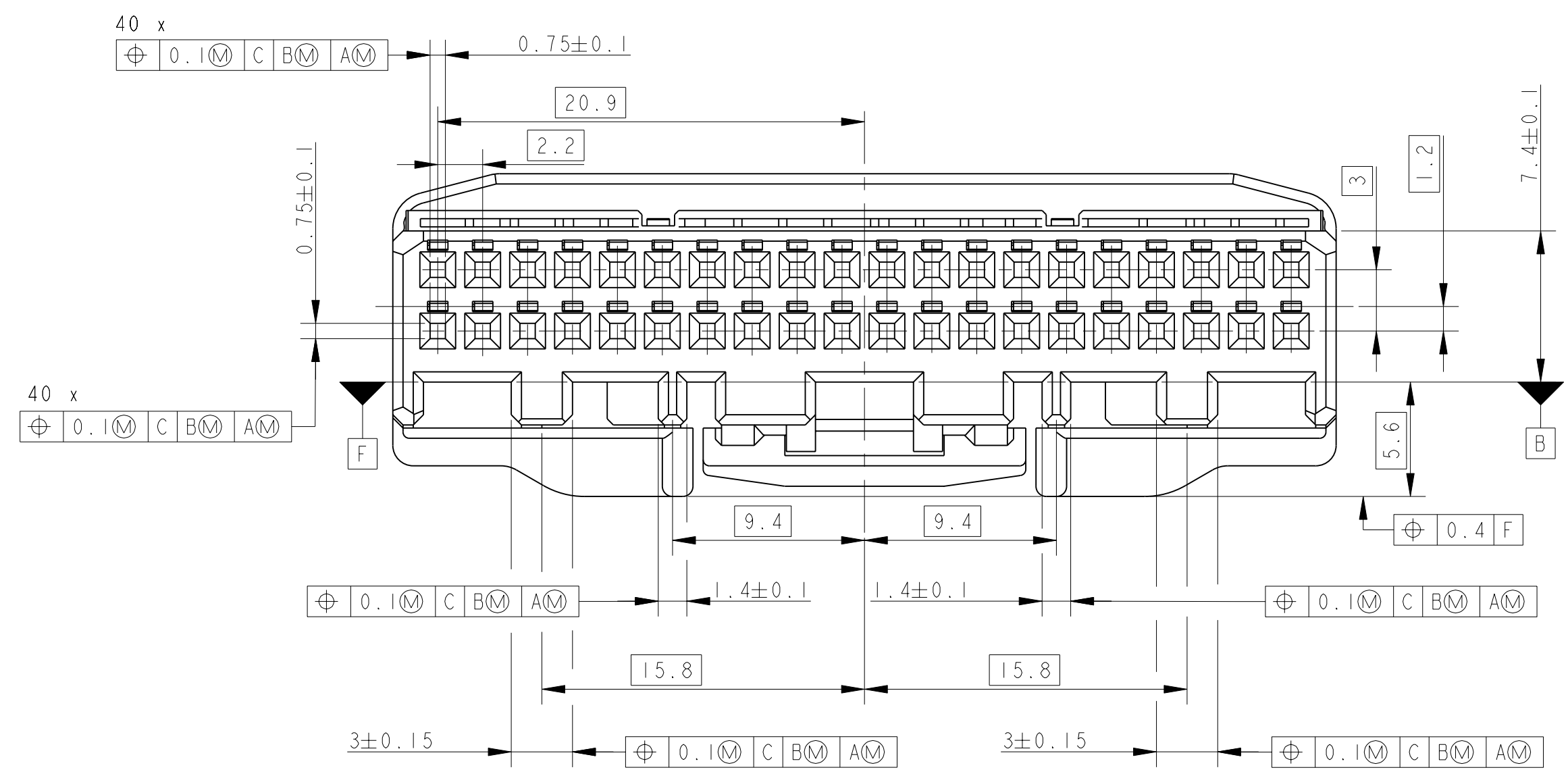
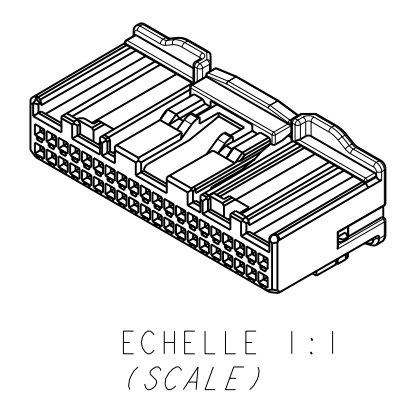
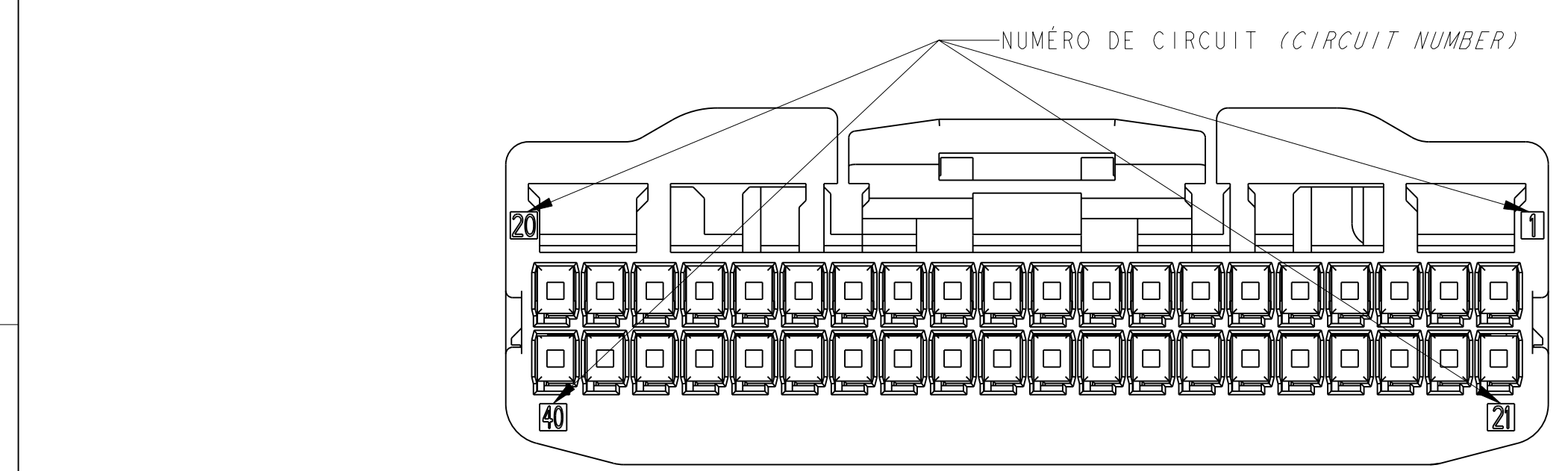
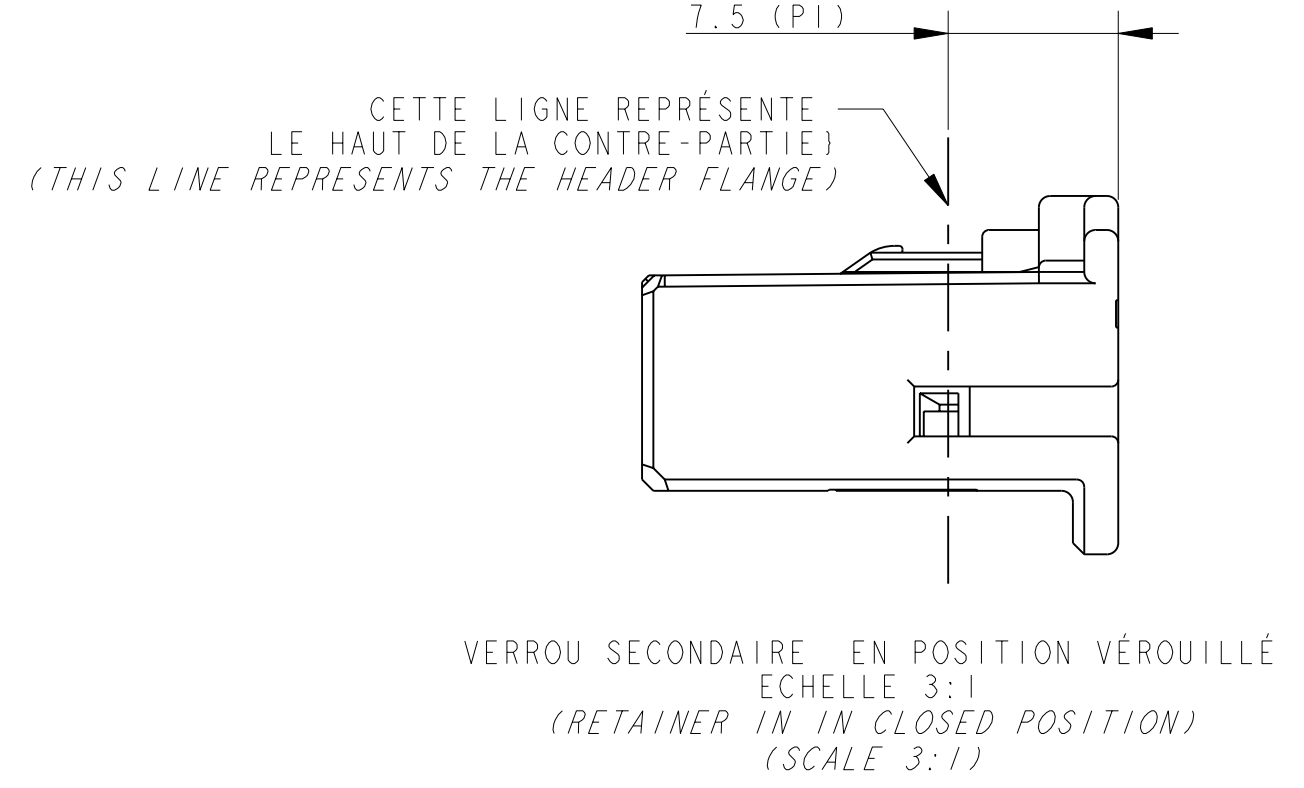
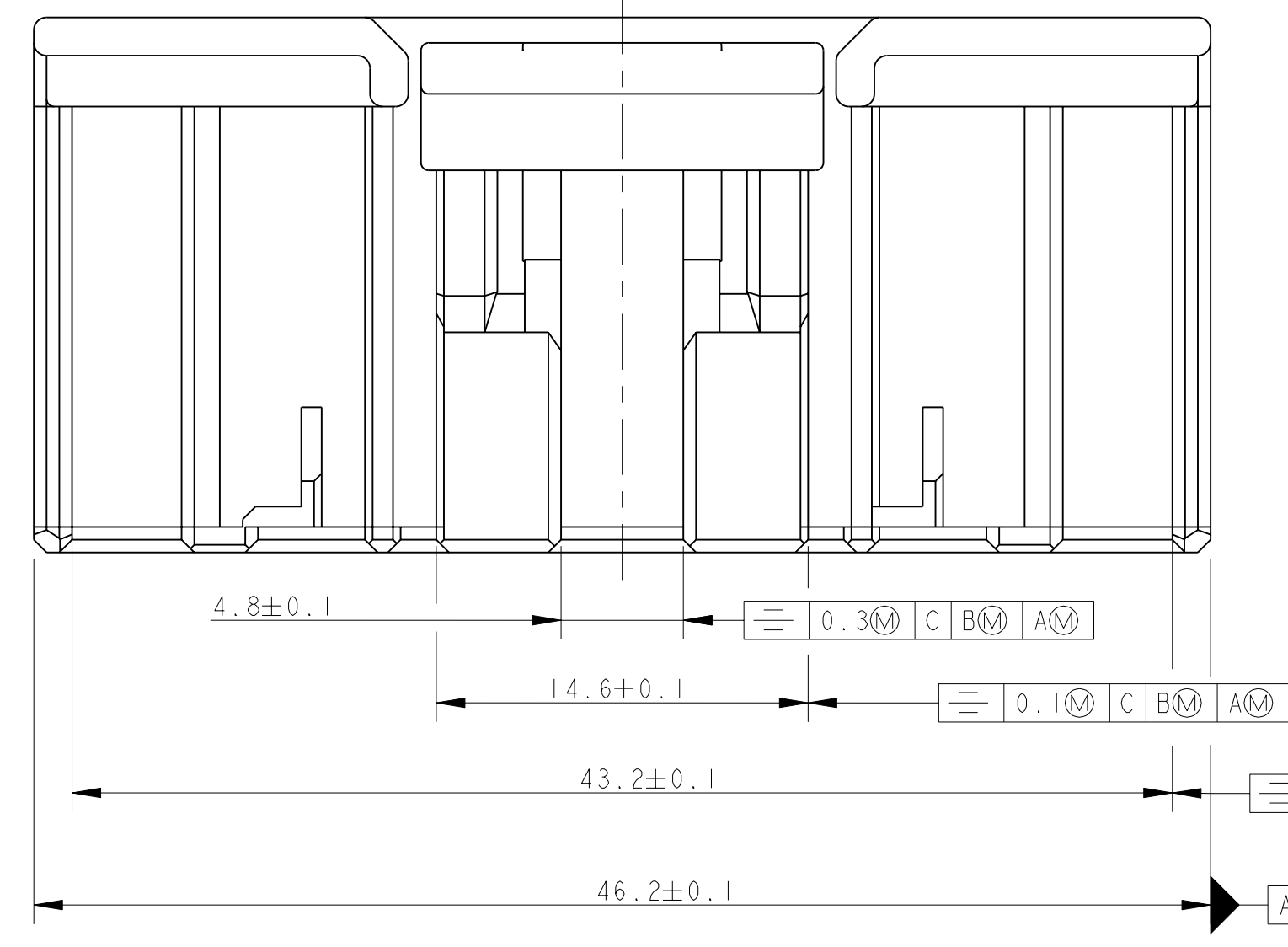
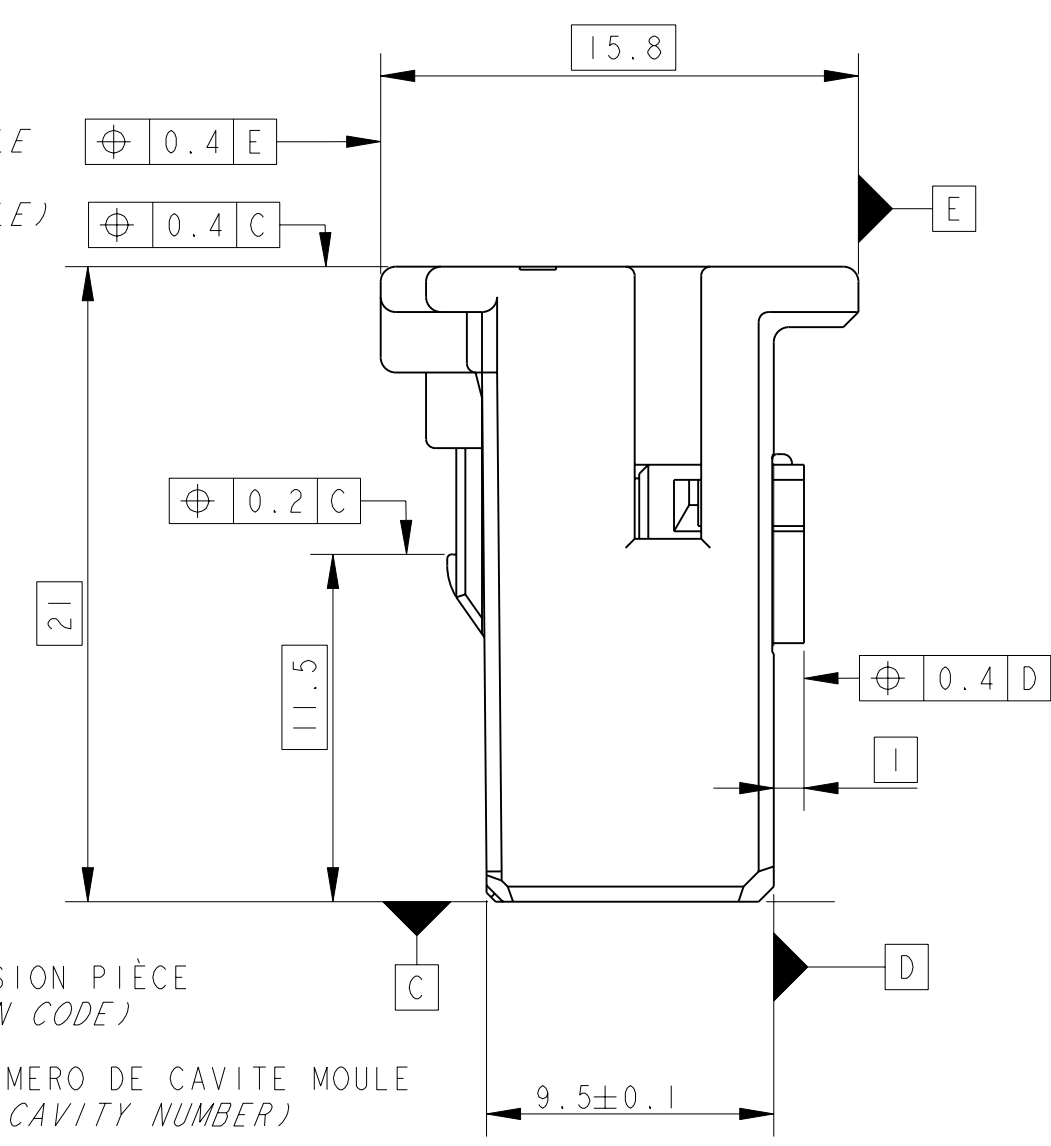
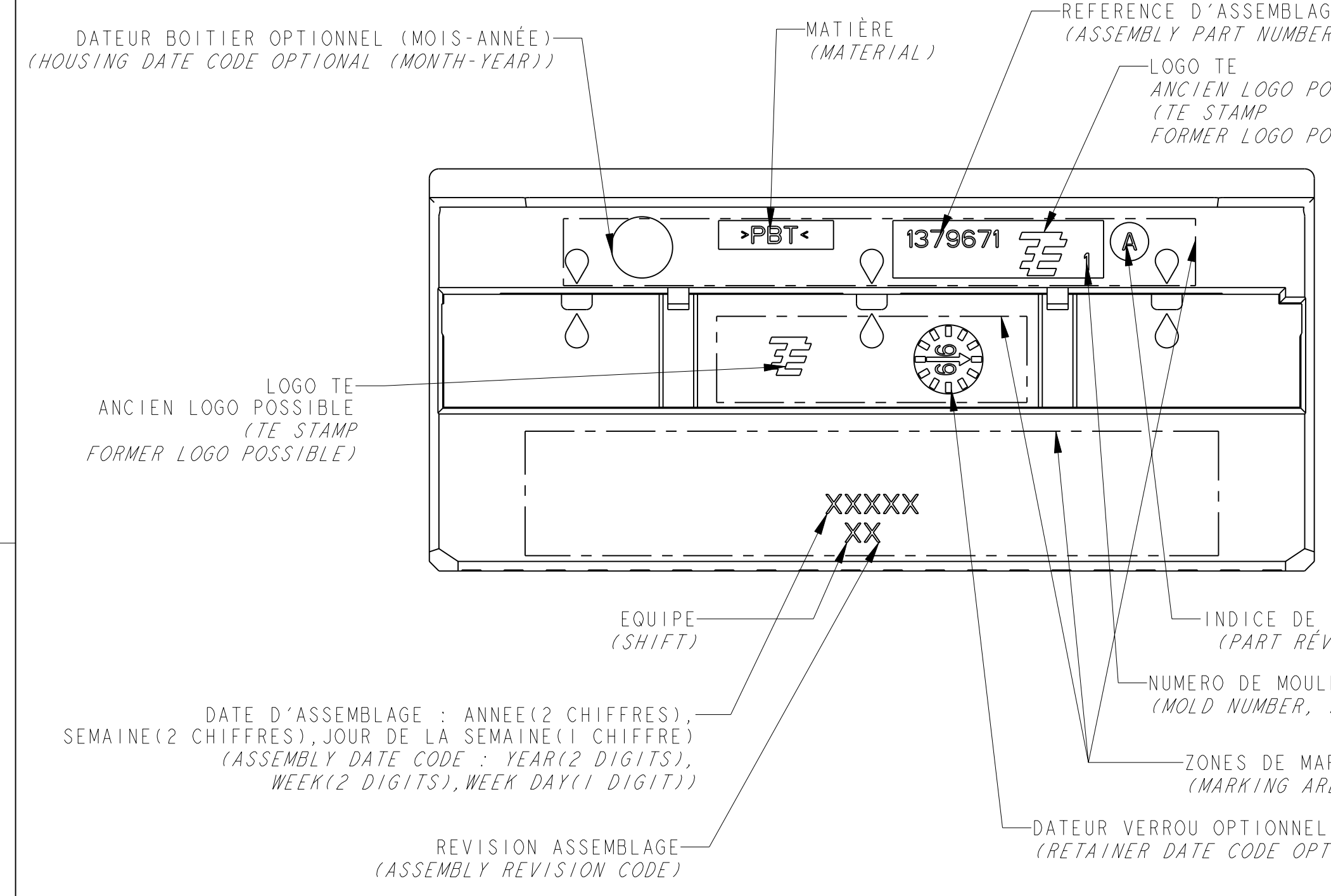


LOC	DIST	REVISIONS			
P	REV	DESCRIPTION	DATE	OWN	APP
F	00				
A		ADD GOLDED CONTACT, -4 AND -5 CODING	21OCT2005	BD	JPP
B		ADD -3 CODING, CHANGE MOLD DATE CODE NOTE	28JUN2006	BD	JPP
C		MODIFY MARKING AREA	04AUG2009	P.B	BD



NOTES : LES NOTES LOCALES SONT ENTRE <->
 SPECIFICATIONS DE REFERENCE :
 2 SPECIFICATION TYCO : 108-15299
 4 PLAN D'INTERFACE TYCO 1379779
 NOTES COMPLEMENTAIRES :
 12 CAHIER DE PRECONISATION : 411-15672
 13 REFERENCE REPRESENTEE : 1379671-1
 14 VERROU SECONDAIRE PREVERROUILLE (POSITION PREFERENTIELLE DE LIVRAISON). SI LE VERROU N'EST PAS DANS CETTE POSITION, SUIVRE LES INSTRUCTIONS DE LA NOTICE TECHNIQUE TYCO 411-15672 §8.2 POUR INFORMATION
 P1

LOCALE NOTES ARE BETWEEN <->
 APPLICABLE SPECIFICATION :
 TYCO SPECIFICATION (SEE BEFORE)
 TYCO INTERFACE DRAWING (SEE BEFORE)
 ADDITIONAL NOTES :
 INSTRUCTION SHEET : (SEE BEFORE)
 PART NUMBER SHOWN (SEE BEFORE)
 SECONDARY LOCK IN PRELOCKED POSITION (PREFERRED DELIVERY POSITION). IF SECONDARY LOCKING IS NOT IN THIS POSITION, FOLLOW INSTRUCTIONS OF TYCO SPECIFICATION 411-15672 §8.2 FOR REFERENCE ONLY



CONTACTS ASSOCIES LISTE NON EXHAUSTIVE (APPLIED CONTACTS NON EXHAUSTIVE LIST)

REF TYCO (TYCO PN)	FINITION (FINISH)	DESIGNATION (DESIGNATION)
1123343-2	DORE (0.38µm) / GOLDÉ (0.38µm)	CLIP .635 (.635 CONTACT) 0.35 A 0.5 MM² (SOMM)
1801069-2	DORE (0.8µm) / GOLDÉ (0.8µm)	CLIP .635 (.635 CONTACT) 0.35 A 0.5 MM² (SOMM)
1674298-1	ETAME (TINNED)	CLIP .635 (.635 CONTACT) 0.35 A 0.5 MM² (SOMM)

REF TYCO / TYCO PN	DESCRIPTION / DESCRIPTION	CODAGE / KEYING	MATIERE BOITIER - MATIERE VERROU SECONDAIRE / HOUSING MATERIAL - RETAINER MATERIAL	COULEUR BOITIER - COULEUR VERROU SECONDAIRE / HOUSING COLOR - RETAINER COLOR	REVISION ASSEMBLAGE / ASSEMBLY REVISION CODE
1379671-5	CONNECTEUR 40 VOIES / 40 WAY CONNECTOR	NEUTRE / NEUTRAL	PBT-PBT / PBT-PBT	NATUREL-NATUREL / NATURAL-NATURAL	B
1379671-4	CONNECTEUR 40 VOIES / 40 WAY CONNECTOR	4 / 4	PBT-PBT / PBT-PBT	VERT-NATUREL / GREEN-NATURAL	B
1379671-3	CONNECTEUR 40 VOIES / 40 WAY CONNECTOR	3 / 3	PBT-PBT / PBT-PBT	BLEU-NATUREL / BLUE-NATURAL	B
1379671-2	CONNECTEUR 40 VOIES / 40 WAY CONNECTOR	2 / 2	PBT-PBT / PBT-PBT	GRIS-NATUREL / GREY-NATURAL	B
1379671-1	CONNECTEUR 40 VOIES / 40 WAY CONNECTOR	1 / 1	PBT-PBT / PBT-PBT	NOIR-NATUREL / BLACK-NATURAL	B

TYCO ELECTRONICS France SAS
 BP 39, 95301 CERGET-POINTEUSE Cedex

025 TH 40 POS PLUG HOUSING

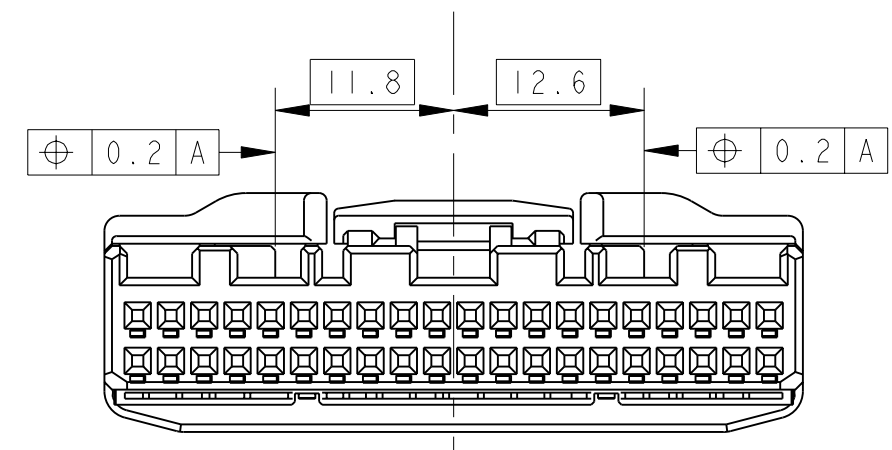
00779 1379671

SCALE 2:1 SHEET 1 OF 2 REV C

LOC	DIST	REVISIONS						
F	00	P	LTB	REV	DESCRIPTION	DATE	DWN	APVD
					SEE SHEET 1			

PN 1379671-1

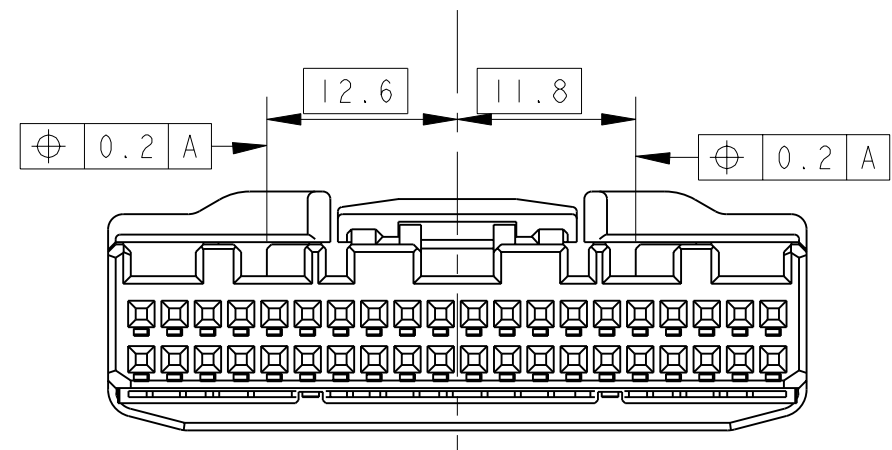
CODAGE 1 (NOIR)
 KEYING 1 (BLACK)



ECHELLE 2:1
 (SCALE)

PN 1379671-2

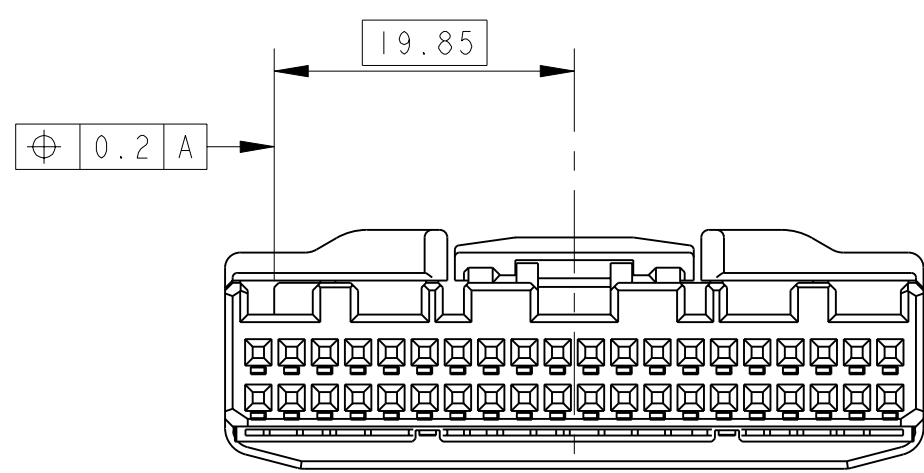
CODAGE 2 (GRIS)
 KEYING 2 (GRAY)



ECHELLE 2:1
 (SCALE)

PN 1379671-3

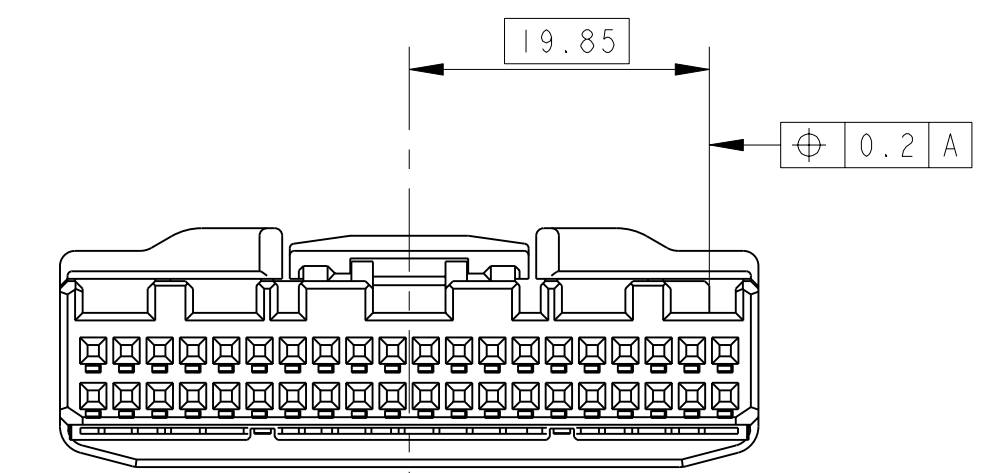
CODAGE 3 (BLEU)
 KEYING 3 (BLUE)



ECHELLE 2:1
 (SCALE)

PN 1379671-4

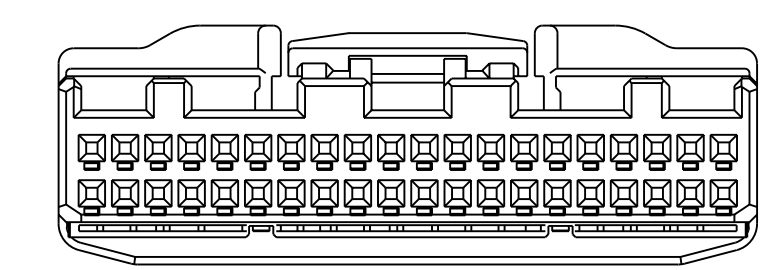
CODAGE 4 (VERT)
 KEYING 4 (GREEN)



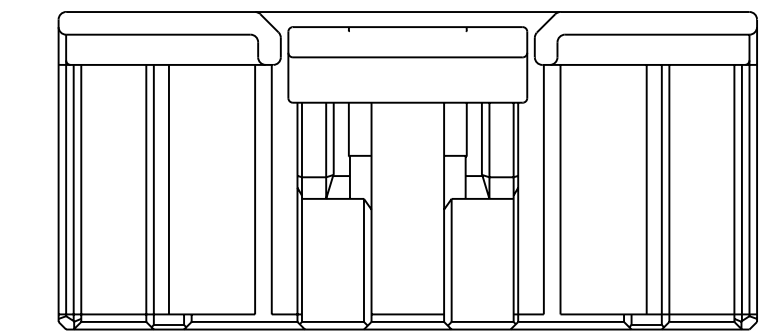
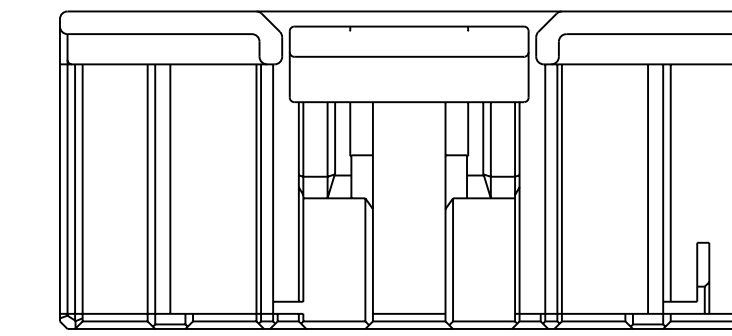
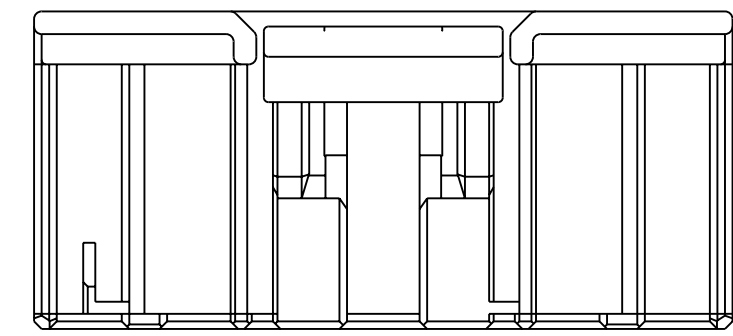
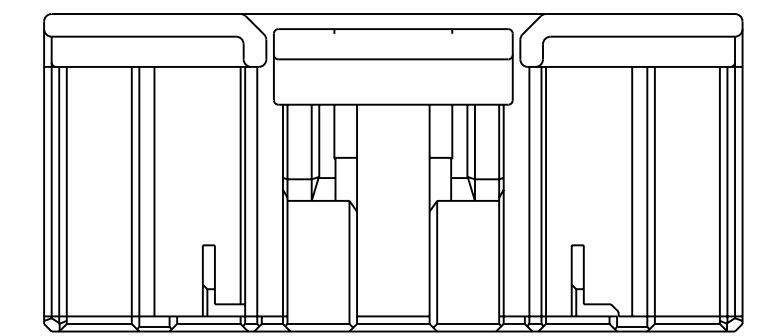
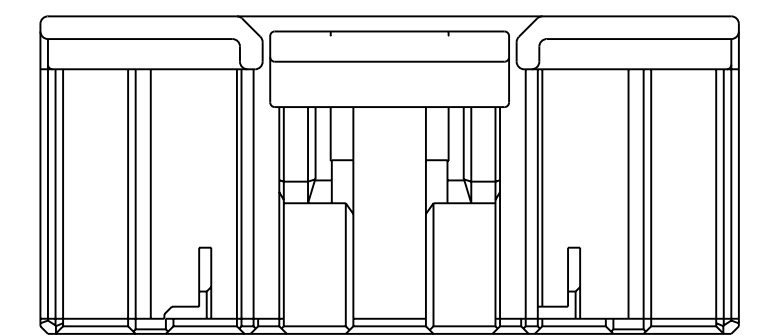
ECHELLE 2:1
 (SCALE)

PN 1379671-5

CODAGE NEUTRE (NATUREL)
 NEUTRAL KEYING (NATURAL)



ECHELLE 2:1
 (SCALE)



THIS DRAWING IS UNPUBLISHED. RELEASED FOR PUBLICATION DITECTION RESTREINTE LIBRE A LA DIFFUSION BY TYCO ELECTRONICS CORPORATION. ALL RIGHTS RESERVED. TOUS DROITS RESERVES.		DWN / DRESSINE 25NOV2002 CHK / VERIFIE B. DUPONT APVD / APPROVE 04DEC2002		TYCO ELECTRONICS France SAS BP 39, 95301 CERGY-PONTOISE Cedex	
DIMENSIONS: mm 		TOLERANCES UNLESS OTHERWISE SPECIFIED: DIMENSIONS NOT SPECIFIED: 0 PLC / DEC: ± 1 PLC / DEC: ± 2 PLC / DEC: ±0.2 3 PLC / DEC: ± 4 PLC / DEC: ± ANGLES: ±45° FINISH / FINITION:		NAME: 025 TH 40 POS PLUG HOUSING PRODUCT SPEC: SEE TABLE SPEC. PRODUCT: SEE TABLE APPLICATION SPEC: SEE TABLE SPEC. APPLICATION: SEE TABLE WEIGHT: - MASSE APPROX.: -	
MATERIAL / MATIERE: SEE TABLE		SIZE / FORMAT: A1 CAGE CODE: 00779 DRAWING NO. IN PLAN: 1379671		RESTRICTED TO RESERVE A: - CUSTOMER DRAWING / PLAN CLIENT: - UN / EQUIPEMENT: - SCALE: 2:1 SHEET / FEUILLE: 2 OF 2 REV: C	