

THIS DRAWING IS UNPUBLISHED.

RELEASED FOR PUBLICATION

ALL RIGHTS RESERVED.

© COPYRIGHT - By -

LOC

DIST

REVISIONS

変更

DESCRIPTION

DATE

DWN

APVD

J

-

P

LTR

E4 REVISED PER ECO-11-005140

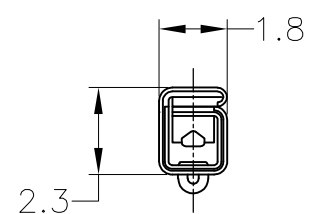
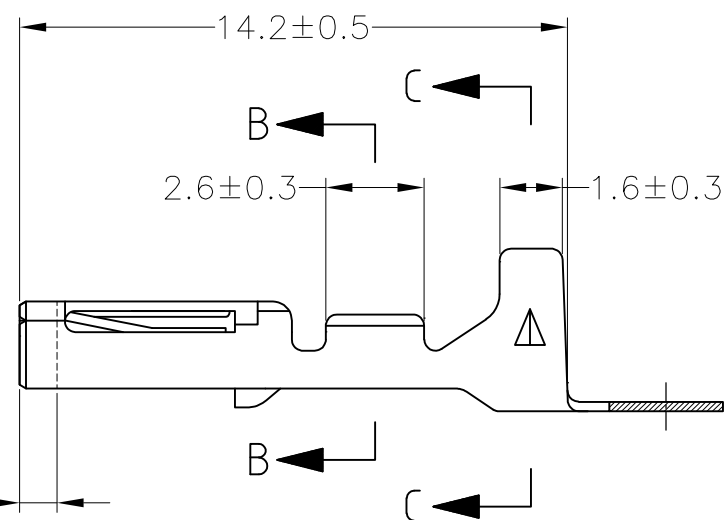
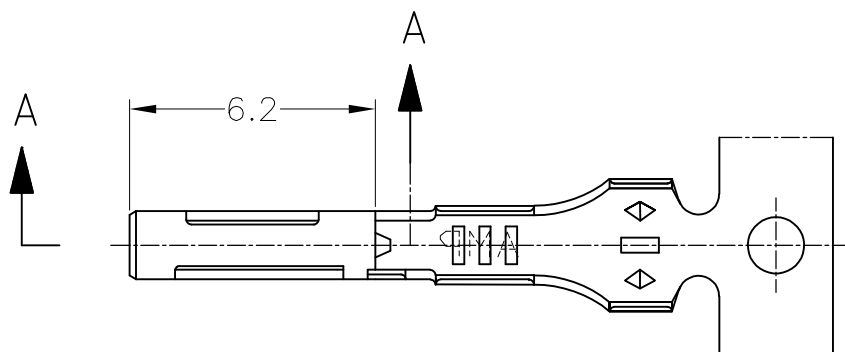
07APR11

RK

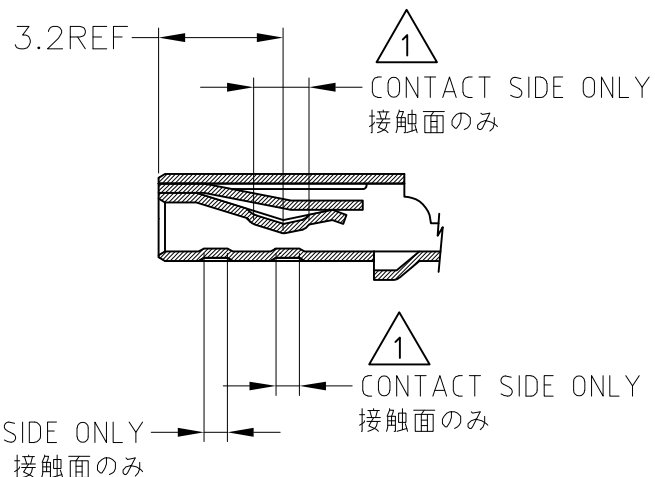
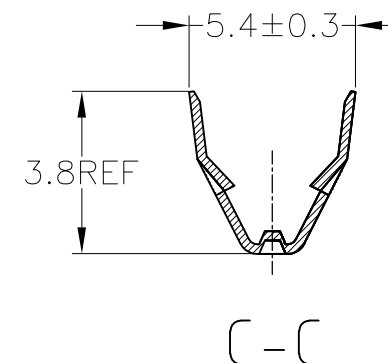
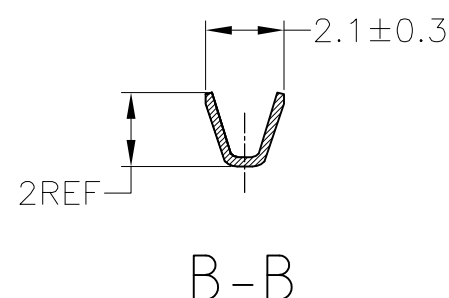
HMR

注：  
△部分金めっき

NOTE：  
△SELECTIVE GOLD



I.D. OF GOLD PLATED  
金めっき表示位置



CONTACT SIDE ONLY  
接触面のみ

CONTACT SIDE ONLY  
接触面のみ

CONTACT SIDE ONLY  
接触面のみ

A-A

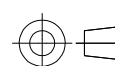
TOLERANCES UNLESS OTHERWISE SPECIFIED:

一般公差	
10 ≥	±0.2
30 ≥ > 10	±0.25
100 ≥ > 30	±0.3
ANGLE	±3°

THIS DRAWING IS A CONTROLLED DOCUMENT.

DIMENSIONS:  
単位： 耗  
mm

TOLERANCES UNLESS OTHERWISE SPECIFIED:  
一般公差



MATERIAL  
材料  
PHOS. BRONZE, THK 0.25  
りん青銅、板厚；0.25

FINISH  
仕上  
SEE TABLE

DWN T.SHINOHARA 25MAY04

CHK K.BETSUI 25MAY04

APVD K.BETSUI 25MAY04

PRODUCT SPEC  
製品規格

APPLICATION SPEC  
取付適用規格  
114-5094

WEIGHT 0.262

CUSTOMER DRAWING

SEE DRAWING 173681-6	173681-6	
175062-2	SELECTIVE GOLD	173681-2
175062-1	PRE-TINNED	173681-1
LOOSE PIECES NUMBER	FINISH	PART NUMBER
WIRE RANGE (抱合電線断面積) 0.3~0.56mm <sup>2</sup> (AWG#22~20)		INSULATION DIA. (被覆外径) 1.8~2 mmφ

STE TE Connectivity

040 SERIES RECEPTACLE CONTACT

NAME 名称	RESTRICTED TO		
SIZE A3	CAGE CODE 00779	DRAWING NO 番号 C-173681	REV E4

SCALE 5:1 SHEET 1 OF 1