

## Evaluating the **ADRF6620**, a 700 MHz to 2700 MHz Rx Mixer with Integrated IF Amplifier, Fractional-N PLL, and VCO

### FEATURES

- Full-featured evaluation board for the **ADRF6620**
- On-board USB for SPI control
- Single +5 V operation
- C# software interface for serial port control

### EVALUATION KIT CONTENTS

- ADRF6620** evaluation board
- USB cable

### ADDITIONAL EQUIPMENT NEEDED

- Analog signal sources
- Power supply (6.0 V, 2.5 A)
- PC running Windows® 98 (2nd ed.), Windows 2000, Windows ME, Windows XP, or Windows 7
- USB 2.0 port, recommended

### SOFTWARE NEEDED

- ADRF6620** control software

### ONLINE RESOURCES

- ADRF6620** data sheet
- ADRF6620-EVALZ** user guide

### GENERAL DESCRIPTION

The **ADRF6620** is a highly integrated active mixer and synthesizer ideally suited for next generation communication systems. The feature rich device consists of a high linearity broadband active mixer, an integrated fractional-N phase-locked loop (PLL), a low phase noise multicore voltage controlled oscillator (VCO), and an IF digitally programmable variable gain amplifier (DGA). In addition, the **ADRF6620** also integrates a 4:1 RF switch, an on-chip tunable RF balun, programmable RF attenuator, and LDOs. This highly integrated device fits within a small 7 mm × 7 mm footprint.

This user guide describes the **ADRF6620-EVALZ** evaluation board, which provides all of the support circuitry required to operate the **ADRF6620** in its various configurations. The application software used to interface with the device is also described.

The **ADRF6620** data sheet, available at [www.analog.com](http://www.analog.com), which provides additional information, should be consulted when working with this evaluation board.

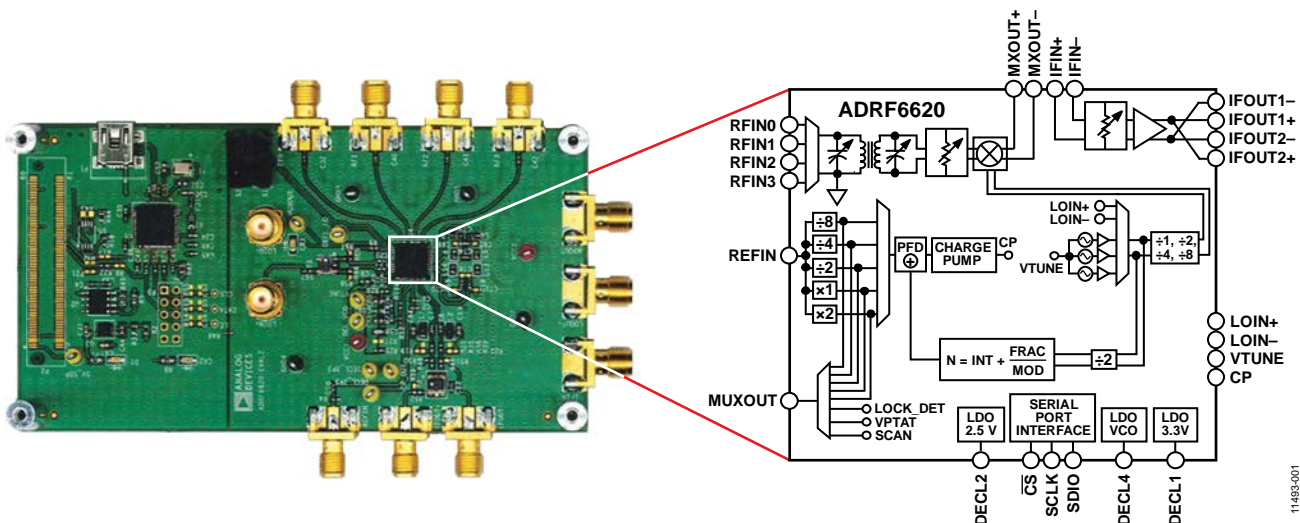


Figure 1. **ADRF6620** Evaluation Board

**TABLE OF CONTENTS**

Features .....	1	RF Inputs .....	3
Evaluation Kit Contents.....	1	LO Input/Output .....	3
Additional Equipment Needed .....	1	Mixer Output .....	4
Software Needed .....	1	IF Variable Gain Amplifier .....	5
Online Resources .....	1	Evaluation Board Control Software .....	6
General Description .....	1	Software Requirements.....	6
Revision History .....	2	ADRF6620 Evaluation Software.....	6
Evaluation Board Hardware.....	3	Schematics and Artwork .....	9
Introduction .....	3	Bill of Materials.....	13
Power Supply.....	3		

**REVISION HISTORY**

8/13—Revision 0: Initial Version

## EVALUATION BOARD HARDWARE

### INTRODUCTION

The [ADRF6620](#) evaluation board provides all of the support circuitry required to operate the [ADRF6620](#) in its various modes and configurations. Figure 2 shows the typical bench setup used to evaluate the performance of the [ADRF6620](#).

### POWER SUPPLY

The [ADRF6620](#) evaluation board requires a single +5 V power supply. Connect the positive power terminal to one of the red test loops, either VCC1 or VCC2. The [ADRF6620](#) consumes less than 400 mA at power up with the default register settings.

### RF INPUTS

The high isolation 4:1 RF switch and on-chip tunable RF balun enables the [ADRF6620](#) to support four single-ended 50  $\Omega$  terminated RF inputs. The 4:1 RF switch can be controlled serially via the SPI port or parallel control using switches S1 and S2. The default configuration is parallel control using the switches. The operational frequency range of the RF inputs is from 700 MHz to 2700 MHz and the inputs should be ac-coupled.

### LO INPUT/OUTPUT

The [ADRF6620](#) offers two alternatives for generating the differential LO input signal: externally via a high frequency low phase noise LO signal or internally via the on-chip Fractional-N synthesizer. In either case, the differential LO signal can be routed off chip to the SMA connector labeled LO\_Output.

For internal LO configuration using the on-chip Fractional-N synthesizer, apply a low phase noise reference signal to the REFIN connector. The PLL reference input can support a wide frequency range since the division or multiplication blocks can be used to increase or decrease the reference frequency to the desired value before it is passed to the phase frequency detector (PFD). The integrated synthesizer enables continuous LO coverage from 350 MHz to 2850 MHz.

For optimum performance using an external LO source, the LO inputs, LOIN and LOIP, should be driven differentially. Unless an ac-coupled balun/transformer is used to generate the differential LO, the inputs must be ac-coupled. The input impedance of the differential LO signals is 50  $\Omega$ .

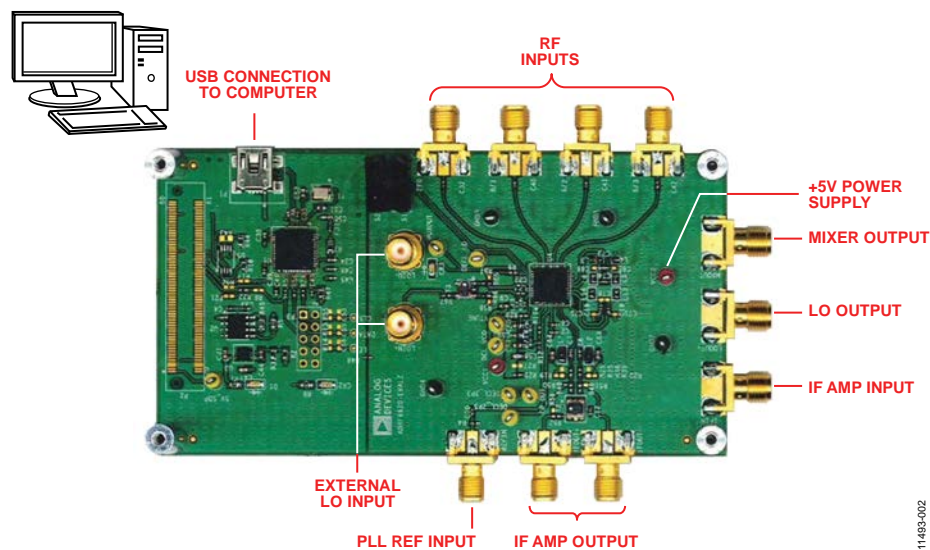


Figure 2. [ADRF6620](#) Typical Measurement Setup

11493-002

**MIXER OUTPUT**

The mixer outputs of the ADRF6620 are routed off chip for external biasing and optional low-pass filtering. The output pins, MXOP and MXON, require supply biasing to +5 V and the mixer’s differential output impedance is approximately 255 Ω. Refer to the ADRF6620 data sheet for the equivalent mixer output impedance and recommendations on the inter-stage filter design. The default configuration of the evaluation board has the mixer outputs ac-coupled to the IF VGA inputs.

The ADRF6620 evaluation board provides the option to monitor the front-end of the ADRF6620 independently from the variable gain IF amplifier by routing the differential mixer outputs to the SMA connectors. To achieve this configuration, remove L5 and L6 and populate C65 and C66 with 0.1 μF. The MXOP and MXON pins are routed to a 4:1 impedance

transformer from Mini-Circuits, TC4-1W+, to translate the 250 Ω output impedance of the mixer to 50 Ω (see Figure 3).

Attention needs to be paid to the IF frequency of the mixer output and the bandwidth of the transformer. The 1 dB bandwidth of the TC4-1W+ is limited to 100 MHz and the 3 dB band is 800 MHz. Alternatively, the 4:1 impedance transformer can be replaced with a 1:1 transformer, such as the TC1-1-13M+, and the L-resistor network (R33, R34, R32, and R10) can be used for impedance matching. The tradeoff to this approach is that the L-network is essentially a voltage divider that results in power loss.

If using a 1:1 transformer, populate R32 = R33 = 113 Ω and R34 = R10 = 28 Ω. This configuration results in a voltage loss of -19.6 dB.

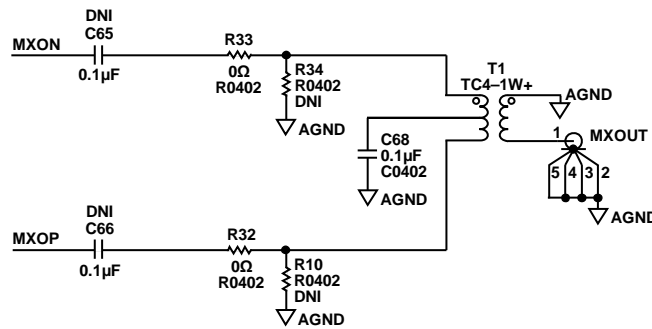


Figure 3. Mixer Output Schematic

11485-003



## EVALUATION BOARD CONTROL SOFTWARE

The [ADRF6620](#) evaluation board is configured with a USB-friendly interface to allow programmability of the [ADRF6620](#) registers.

### SOFTWARE REQUIREMENTS

These instructions describe how to install the [ADRF6620](#) control software, as well as the Cypress generic USB driver, onto a Windows XP, Vista, or Windows 7 computer running either a 32-bit or 64-bit operating system. Install the necessary software before plugging the USB cable to the computer.

1. In the extracted folder, **ADI\_RFG\_Drivers**, run the **ADI\_RFG\_Drivers.exe** file. Running this file allows the installation of the Cypress CyUSB.sys driver as a verified, signed driver.
2. Run the file **ADRF6620\_install.exe** from the extracted .zip file. An icon should appear on your desktop with the Analog Devices, Inc., logo, labeled [ADRF6620](#).
3. Install the USB driver once the installer is finished. Plug the RFG USB adapter into the PC using a USB cable.
4. In either Windows XP or Vista, right click on **My Computer** and select **Properties**. Next, in Vista or Windows 7, select the **Device Manager** option. In XP, select the hardware tab and then **Device Manager**.
5. In **Device Manager**, select the last category, **Universal Serial Bus Controllers**. There will be an entry with either a yellow flag (for unknown device) or **ADF4xxx USB Driver** (if you have installed the previous ADRF6x0x or Analog Devices Limerick PLL software). Right click on this device and select **update driver**. Browse to select the directory **C:\Program Files\ADRF6620\_customer\_software**.
6. Click **Next** to complete the driver installation successfully.

### ADRF6620 EVALUATION SOFTWARE

The [ADRF6620](#) evaluation software offers a block diagram view of how the registers affect the major functional blocks of the [ADRF6620](#). The main screen of the evaluation software is shown in Figure 6.

Before reading or writing to the registers, validate the USB connection by reading the USB indicators at the lower left corner of the software. The **DUT to GUI** button reads the register values from the device and updates the user interface. An automatic write to the chip is initiated every time a register value is changed from the user interface.

The PLL synthesizer blocks perform background calculations; the user need only specify the PLL reference and desired LO frequency and the software calculates and sets the INT, FRAC, and MOD values accordingly. The green boxes require user input while the yellow boxes are read only.

The Engineering tab, as shown in Figure 7, allows specific reads and writes to the individual registers. Decimal format is required when entering data to the address and data fields.

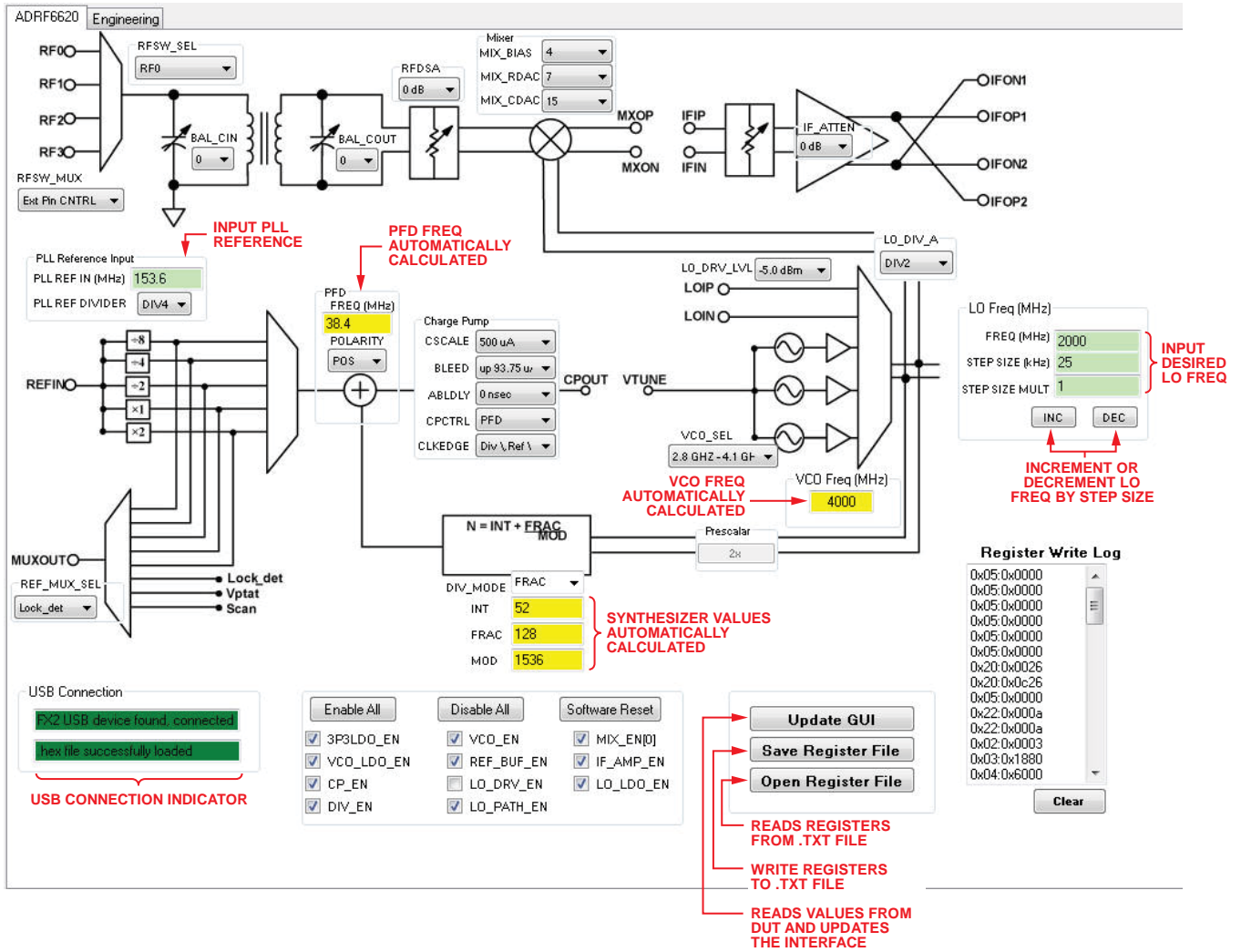


Figure 6. Main Screen of the ADRF6620 Control Software with Default Power-Up Settings

11493-007

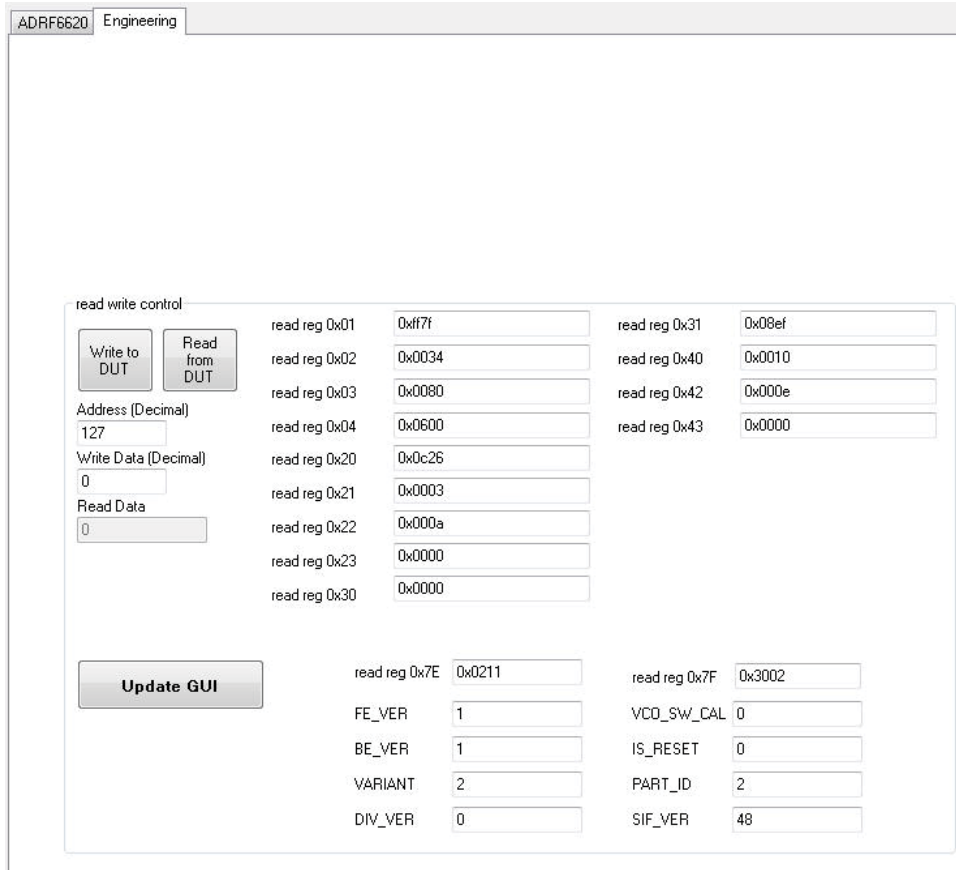


Figure 7. Engineering Tab of the ADRF6620 Control Software

11493-008



SCHEMATICS AND ARTWORK

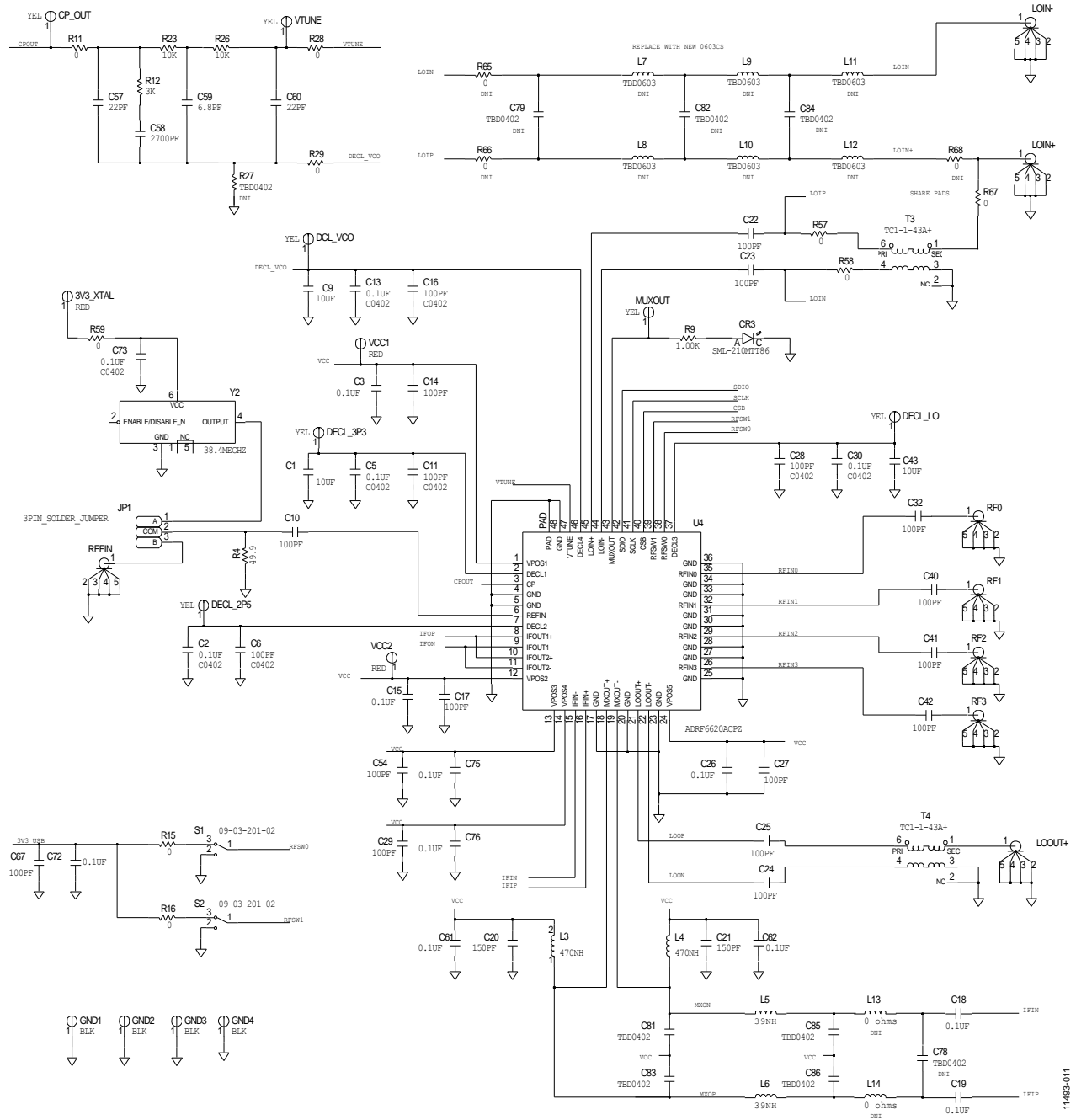
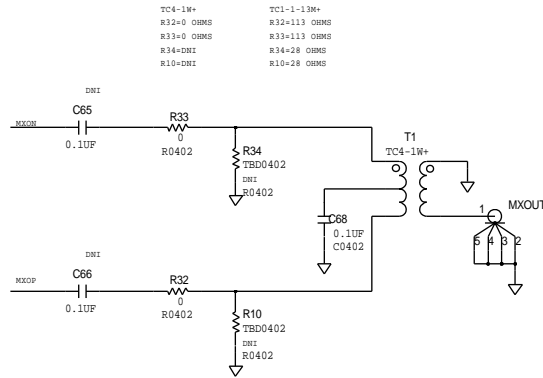
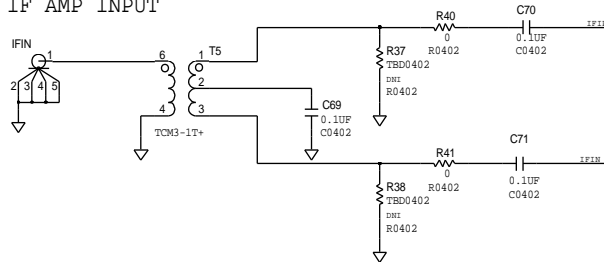


Figure 8. Schematic

MIXER OUTPUT



IF AMP INPUT



IF AMP OUTPUT

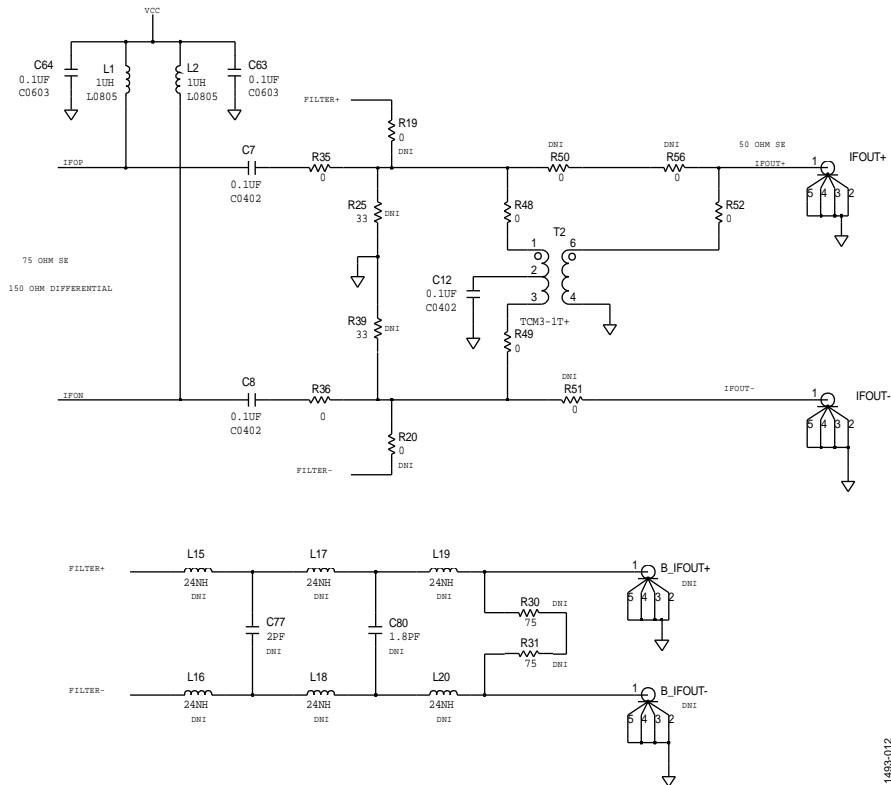


Figure 9. Mixer Output and IF Amplifier Input/Output Schematics

11493-012

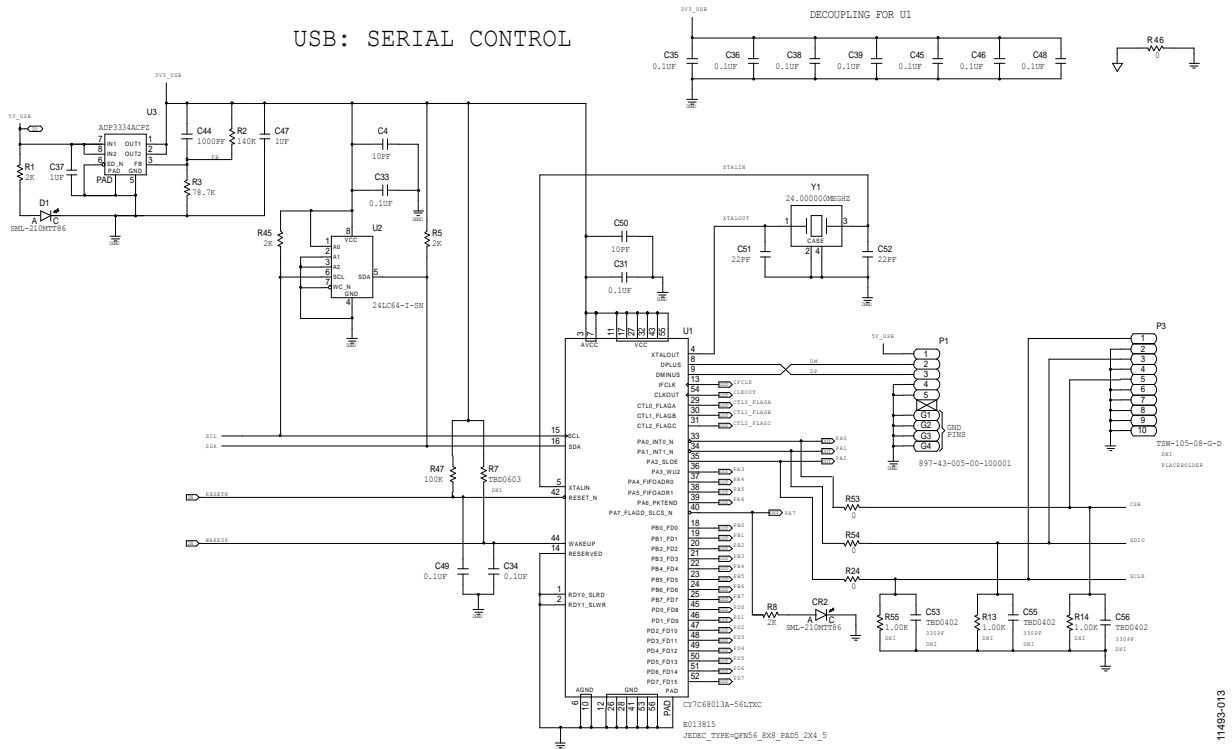


Figure 10. USB Serial Control

11489-013

L1 PRIMARY  
08-A03103-01  
REV D

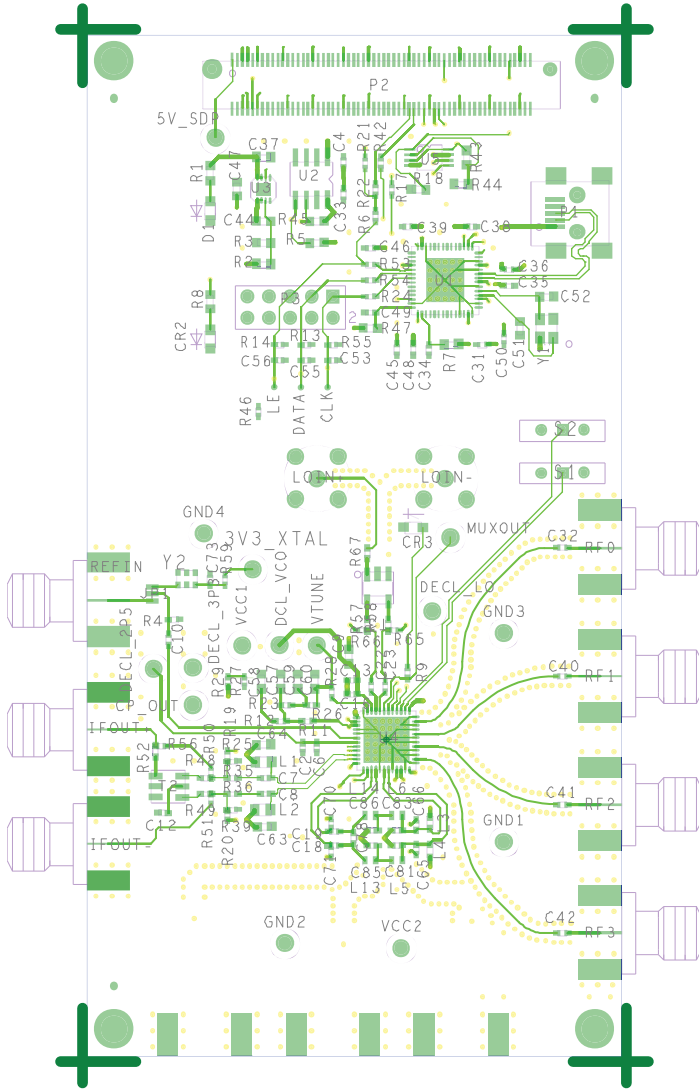


Figure 11. Primary Side Layout

L4 SECONDARY  
08-A03103-02  
REV D

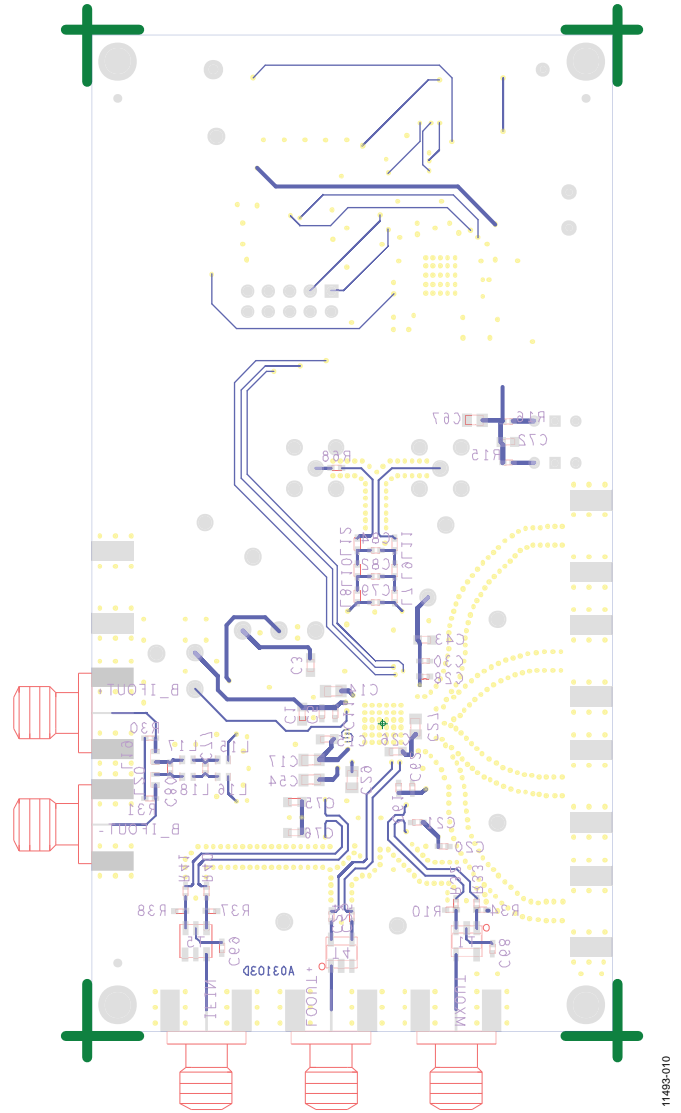


Figure 12. Secondary Side Layout

11493-009

11493-010

## BILL OF MATERIALS

Table 1.

Qty	Reference Designator	Description	Tolerance	Voltage	Manufacturer	Part Number
3	VCC1, VCC2, 3V3_XTAL	Conn-PCB test point, red			Components Corp	TP-104-01-02
8	VTUNE, 5V_SDP, CP_OUT, MUXOUT, DCL_VCO, DECL_LO, DECL_2P5, DECL_3P3	Conn-PCB test point, yellow			Components Corp	TP-104-01-04
3	C1, C9, C43	Cap cer, X5R 0603, 10 $\mu$ F	20	6.3 V	Murata	GRM188R60J106ME47D
13	C6, C10, C11, C16, C22 to C25, C28, C32, C40 to C42	Cap chip mono cer, COG 0402, 100 pF	5	50 V	Murata	GRM1555C1H101JD01D
27	C2, C5, C7, C8, C12, C13, C18, C19, C30, C31, C33 to C36, C38, C39, C45, C46, C48, C49, C61, C62, C68 to C71, C73	Cap cer, X7R 0402, 0.1 $\mu$ F	10	16 V	Murata	GRM155R71C104KA88D
6	C14, C17, C27, C29, C54, C67	Cap cer, NP0, 0805, 100 pF	5	100 V	AVX	08051A101JAT2A
6	C3, C15, C26, C72, C75, C76	Cap cer, X7R 0603, 0.1 $\mu$ F	10	50 V	AVX	06035C104KAT2A
2	C20, C21	Cap cer, COG 0402, 150 pF	5	50 V	Murata	GRM1555C1H151JA01D
2	C37, C47	Cap mono cer, X5R, 0603, 1 $\mu$ F	10	25 V	Murata	GRM188R61E105KA12D
2	C4, C50	Cap cer, multilayer NP0 0402, 10 pF	5	50 V	PHYCOMP (YAGEO)	CC0402JRNPO9BN100
1	C44	Cap cer, COG 0603, 1000 pF	5	100 V	TDK	C1608C0G2A102J
4	C51, C52, C57, C60	Cap cer, NP0, 0603, 22 pF	5	50 V	PHYCOMP (YAGEO)	CC0603JRNPO9BN220
1	C58	Cap cer, COG 0603, 2700 pF	5	50 V	Murata	GRM1885C1H272JA01D
1	C59	Cap cer, NP0, 0603, 6.8 pF	5	50 V	PHYCOMP (YAGEO)	2238 867 15688
2	C63, C64	Cap cer, CHIP X8R, 0603, 0.1 $\mu$ F	10	25 V	TDK	C1608X8R1E104K
2	C81, C83	Cap cer, 0402 COG, 1.6 pF	0.1 pF	50 V	Murata	GJM1555C1H1R6BB01B
2	C85, C86	Cap cer, COG SMD, 0402, 2 pF	$\pm$ 0.25 pF	50 V	Murata	GJM1555C1H2R0CB01D
3	D1, CR2, CR3	LED 570 NM WTR CLR, 0805, SMD (green)	N/A	2.2 V	Rohm	SML-210MTT86
4	GND1 to GND4	Conn-PCB test point, black			Components Corp	TP-104-01-00
10	RF0 to RF3, IFIN, MXOUT, REFIN, IFOUT+, IFOUT-, LOOUT+	Conn-PCB coax SMA end launch			Johnson	142-0701-851
2	L1, L2	Inductor SM, 0805, 1 $\mu$ H	5		Coilcraft	0805LS-102XJLB
2	L3, L4	Inductor SM, 0603, 470 nH	5		Coilcraft	0603LS-471XJLC
2	L5, L6	Inductor SM, 7144, 39 nH	5		Coilcraft	0603CS-39NXJLU
2	LOIN+, LOIN-	Conn-PCB coax SMA ST			Johnson	142-0701-201
1	P1	Conn-PCB recept mini-USB Type B SMT			Mill-Max	897-43-005-00-100001
1	P2	Conn-PCB vert type rcpt SMD			HRS	FX8-120S-SV(21)
4	R1, R5, R8, R45	Res, film SMD 0603, 2 K, 1/10 W	1		PHYCOMP (YAGEO)	9C06031A2001FKHFT
23	R11, R15, R16, R22, R24, R28, R29, R32, R33, R35, R36, R40, R41, R46, R48, R49, R52 to R54, R57 to R59, R67, L13, L14	Res, film SMD 0402, 0, 1/16 W	5		Panasonic	ERJ-2GE0R00X
1	R12	Res, thick film chip, 0402, 3 K, 1/16 W	5		Panasonic	ERJ-2GEJ302X
3	R18, R44, R47	Res, prec thick film chip, 0603, 100 K, 1/10 W	1	50 V	Panasonic	ERJ-3EKF1003V
1	R2	Res, prec thick film chip, 0603, 140 K, 1/10 W	1	50 V	Panasonic	ERJ-3EKF1403V
2	R23, R26	Res, prec thick film chip, 0402, 10 K, 1/16 W	1		Panasonic	ERJ-2RKF1002X
1	R3	Res, prec thick film chip, 0603, 78.7 K, 1/10 W	1	50 V	Panasonic	ERJ-3EKF7872V
1	R4	Res, prec thick film chip, 0402, 49.9 K, 1/16 W	1		Panasonic	ERJ-2RKF49R9X

Qty	Reference Designator	Description	Tolerance	Voltage	Manufacturer	Part Number
1	R9	Res, prec thick film chip, 0402, 100 K, 1/10 W	1		Panasonic	ERJ-2RKF1001X
2	S1, S2	SW PCB mount slide			SECMA	09-03-201-02
1	T1	XFMR RF, 0.25 W			Mini circuits	TC4-1W+
2	T2, T5	XFMR RF, 0.25 W			Mini circuits	TCM3-1T+
2	T3, T4	XFMR RF, SMT			Mini-circuits	TC1-1-43A+
1	U1	IC HS USB peripheral		3 V to 3.6 V	Cypress Semiconductor	CY7C68013A-56LTXC
1	U2	IC 64 K bit EEPROM			Microchip	24LC64-I-SN
1	U3	IC-ADI high acc. low IQ adj low drop reg			Analog Devices	<a href="#">ADP3334ACPZ</a>
1	U4	IC Rx mixer, fractional-N PLL and VCO			Analog Devices	<a href="#">ADRF6620ACPZ</a>
1	U5	IC 32 K bit serial EEPROM			Microchip	24LC32A-I/MS
1	Y1	IC crystal SMD			NDK	NX3225SA-24.000000MHZ
1	Y2	IC crystal osc, 38.4 MHz		3.3 V		

## NOTES

## NOTES

**ESD Caution**

**ESD (electrostatic discharge) sensitive device.** Charged devices and circuit boards can discharge without detection. Although this product features patented or proprietary protection circuitry, damage may occur on devices subjected to high energy ESD. Therefore, proper ESD precautions should be taken to avoid performance degradation or loss of functionality.

**Legal Terms and Conditions**

By using the evaluation board discussed herein (together with any tools, components documentation or support materials, the "Evaluation Board"), you are agreeing to be bound by the terms and conditions set forth below ("Agreement") unless you have purchased the Evaluation Board, in which case the Analog Devices Standard Terms and Conditions of Sale shall govern. Do not use the Evaluation Board until you have read and agreed to the Agreement. Your use of the Evaluation Board shall signify your acceptance of the Agreement. This Agreement is made by and between you ("Customer") and Analog Devices, Inc. ("ADI"), with its principal place of business at One Technology Way, Norwood, MA 02062, USA. Subject to the terms and conditions of the Agreement, ADI hereby grants to Customer a free, limited, personal, temporary, non-exclusive, non-sublicensable, non-transferable license to use the Evaluation Board FOR EVALUATION PURPOSES ONLY. Customer understands and agrees that the Evaluation Board is provided for the sole and exclusive purpose referenced above, and agrees not to use the Evaluation Board for any other purpose. Furthermore, the license granted is expressly made subject to the following additional limitations: Customer shall not (i) rent, lease, display, sell, transfer, assign, sublicense, or distribute the Evaluation Board; and (ii) permit any Third Party to access the Evaluation Board. As used herein, the term "Third Party" includes any entity other than ADI, Customer, their employees, affiliates and in-house consultants. The Evaluation Board is NOT sold to Customer; all rights not expressly granted herein, including ownership of the Evaluation Board, are reserved by ADI. CONFIDENTIALITY. This Agreement and the Evaluation Board shall all be considered the confidential and proprietary information of ADI. Customer may not disclose or transfer any portion of the Evaluation Board to any other party for any reason. Upon discontinuation of use of the Evaluation Board or termination of this Agreement, Customer agrees to promptly return the Evaluation Board to ADI. ADDITIONAL RESTRICTIONS. Customer may not disassemble, decompile or reverse engineer chips on the Evaluation Board. Customer shall inform ADI of any occurred damages or any modifications or alterations it makes to the Evaluation Board, including but not limited to soldering or any other activity that affects the material content of the Evaluation Board. Modifications to the Evaluation Board must comply with applicable law, including but not limited to the RoHS Directive. TERMINATION. ADI may terminate this Agreement at any time upon giving written notice to Customer. Customer agrees to return to ADI the Evaluation Board at that time. LIMITATION OF LIABILITY. THE EVALUATION BOARD PROVIDED HEREUNDER IS PROVIDED "AS IS" AND ADI MAKES NO WARRANTIES OR REPRESENTATIONS OF ANY KIND WITH RESPECT TO IT. ADI SPECIFICALLY DISCLAIMS ANY REPRESENTATIONS, ENDORSEMENTS, GUARANTEES, OR WARRANTIES, EXPRESS OR IMPLIED, RELATED TO THE EVALUATION BOARD INCLUDING, BUT NOT LIMITED TO, THE IMPLIED WARRANTY OF MERCHANTABILITY, TITLE, FITNESS FOR A PARTICULAR PURPOSE OR NONINFRINGEMENT OF INTELLECTUAL PROPERTY RIGHTS. IN NO EVENT WILL ADI AND ITS LICENSORS BE LIABLE FOR ANY INCIDENTAL, SPECIAL, INDIRECT, OR CONSEQUENTIAL DAMAGES RESULTING FROM CUSTOMER'S POSSESSION OR USE OF THE EVALUATION BOARD, INCLUDING BUT NOT LIMITED TO LOST PROFITS, DELAY COSTS, LABOR COSTS OR LOSS OF GOODWILL. ADI'S TOTAL LIABILITY FROM ANY AND ALL CAUSES SHALL BE LIMITED TO THE AMOUNT OF ONE HUNDRED US DOLLARS (\$100.00). EXPORT. Customer agrees that it will not directly or indirectly export the Evaluation Board to another country, and that it will comply with all applicable United States federal laws and regulations relating to exports. GOVERNING LAW. This Agreement shall be governed by and construed in accordance with the substantive laws of the Commonwealth of Massachusetts (excluding conflict of law rules). Any legal action regarding this Agreement will be heard in the state or federal courts having jurisdiction in Suffolk County, Massachusetts, and Customer hereby submits to the personal jurisdiction and venue of such courts. The United Nations Convention on Contracts for the International Sale of Goods shall not apply to this Agreement and is expressly disclaimed.