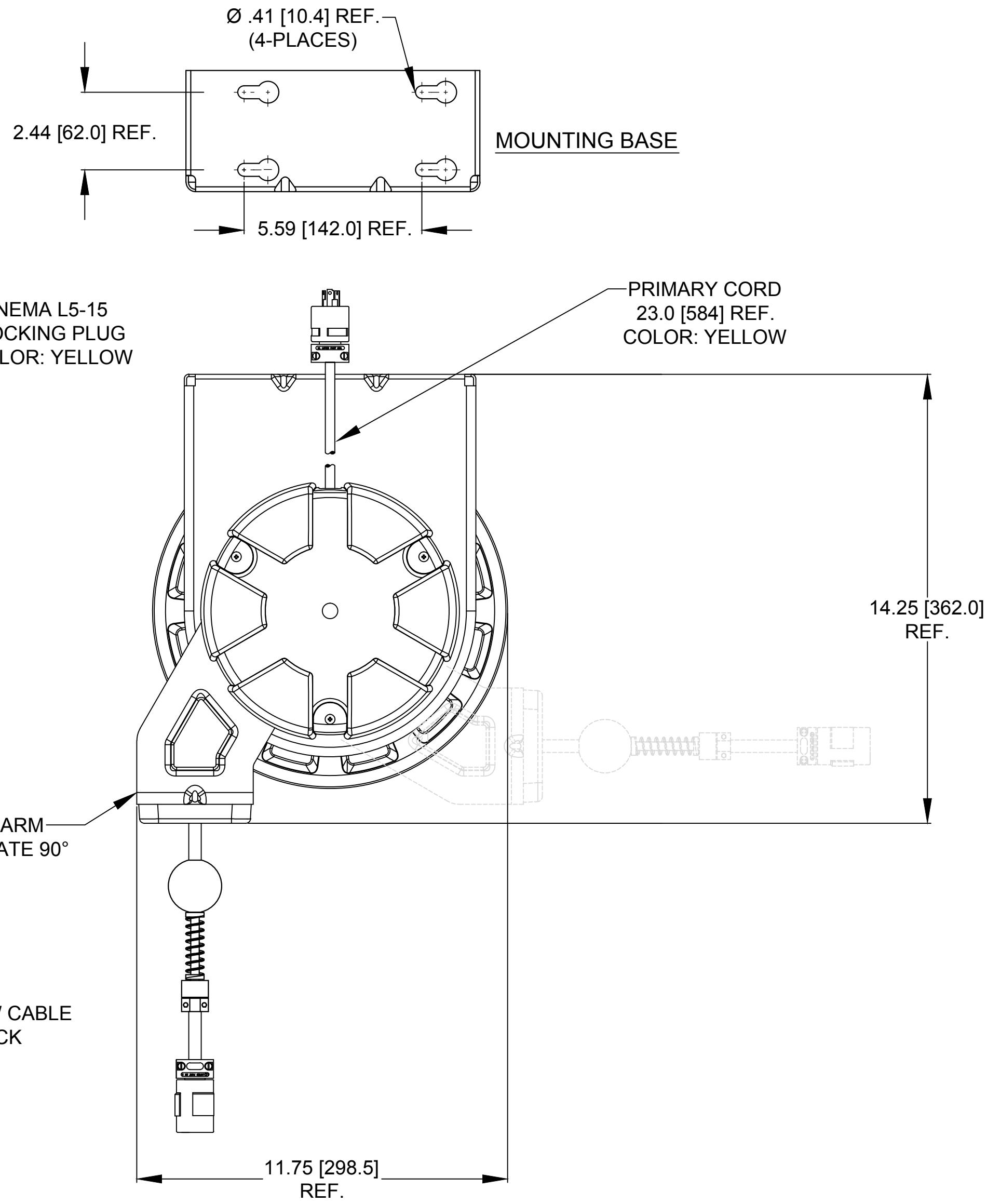
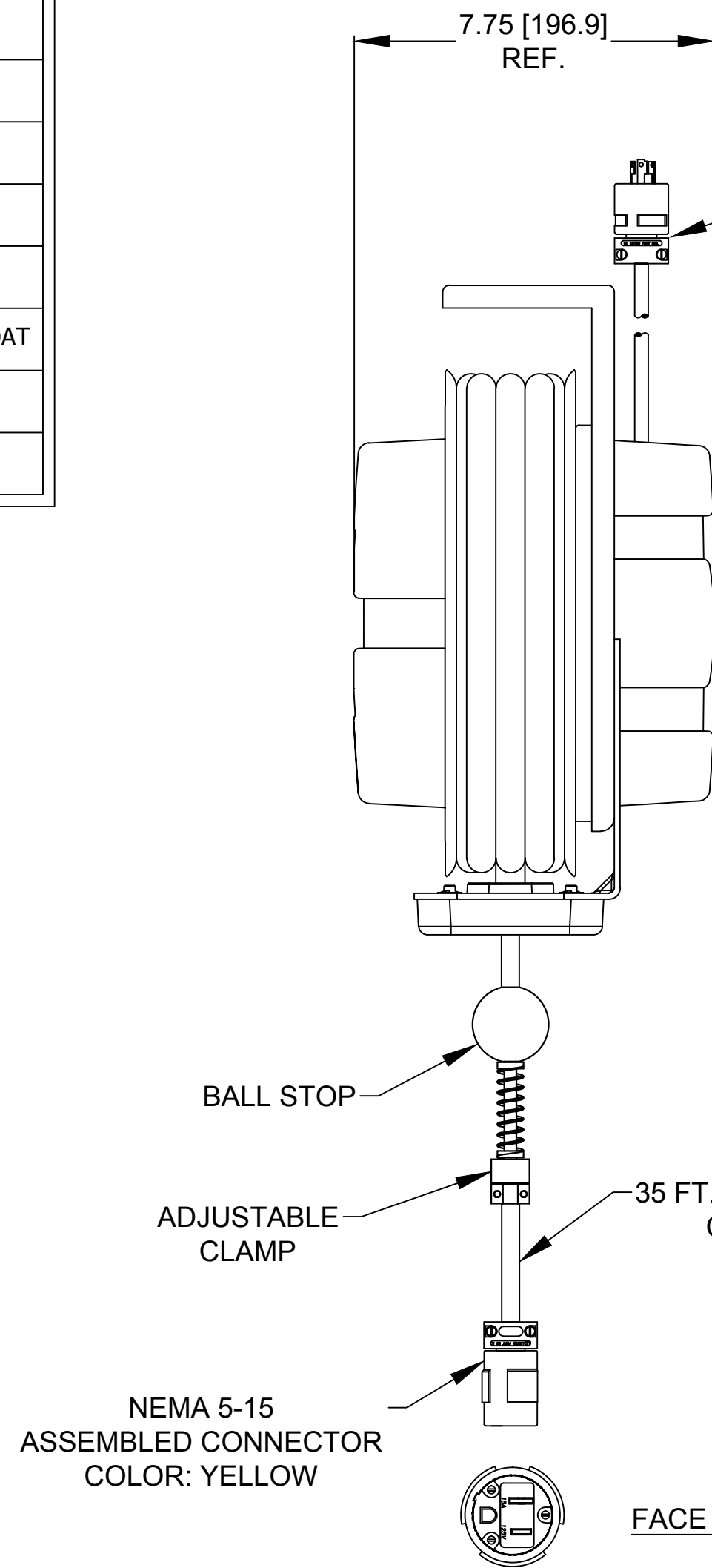


<b>ORDER NO.</b>	<b>1300910213</b>
<b>WOODHEAD ENG. NO.</b>	<b>997L-1547</b>
WIRE GAUGE	12
CONDUCTORS	3
AMPERAGE	15A
CORD LENGTH	35 FT [10.6 M]
CORD TYPE	SJTOW
CONSTRUCTION	SHEET METAL
PAINT	YELLOW POWDER COAT
REEL ENCLOSURE RATING	INDOOR
RETRACTION WEIGHT	3.0 LB [1.4 KG]



**NOTES:**

1. CABLE GUIDE IS ADJUSTABLE - DUAL POSITION
2. RATCHET LOCK IS EASY TO DISENGAGE FOR CONSTANT TENSION.
3. REEL CANNOT BE "LOCKED OUT" AT FULL TENSION.
4. BALL STOP INCLUDED
5. CSA CERTIFIED  
FILE NO. LR29921



RELEASE SALES DRAWING EC NO.: ICG2016-0112 DRWN: KCOX01 2015/07/30 CHKD: HRUIZ01 2015/07/30 APPR: JFMURPHY 2015/09/17	QUALITY SYMBOL	GENERAL TOLERANCES (UNLESS SPECIFIED)		DIMENSION STYLE INCH/MM		SCALE NTS	DESIGN UNITS INCH	THIRD ANGLE PROJECTION	
	▽=0	4 PLACES	mm ±---	INCH ±---	DRAWN BY KCOX01	DATE 2015/07/30	TITLE <b>CORD REEL W/1547 CONNECT 35' #12-3 SJTOW LOCKING NEMA L5-15 PLUG</b>		
	▽C=0	3 PLACES	±---	±.005	CHECKED BY HRUIZ01	DATE 2015/07/30			
		2 PLACES	±.13	±.010	APPROVED BY JFMURPHY	DATE 2015/09/17	MOLEX INCORPORATED		
		1 PLACE	±.25	±.020	MATERIAL NO. <b>1300910213</b>				
		ANGULAR ±1/2°		THIS DRAWING CONTAINS INFORMATION THAT IS PROPRIETARY TO MOLEX INCORPORATED AND SHOULD NOT BE USED WITHOUT WRITTEN PERMISSION					
		DRAFT WHERE APPLICABLE MUST REMAIN WITHIN DIMENSIONS							