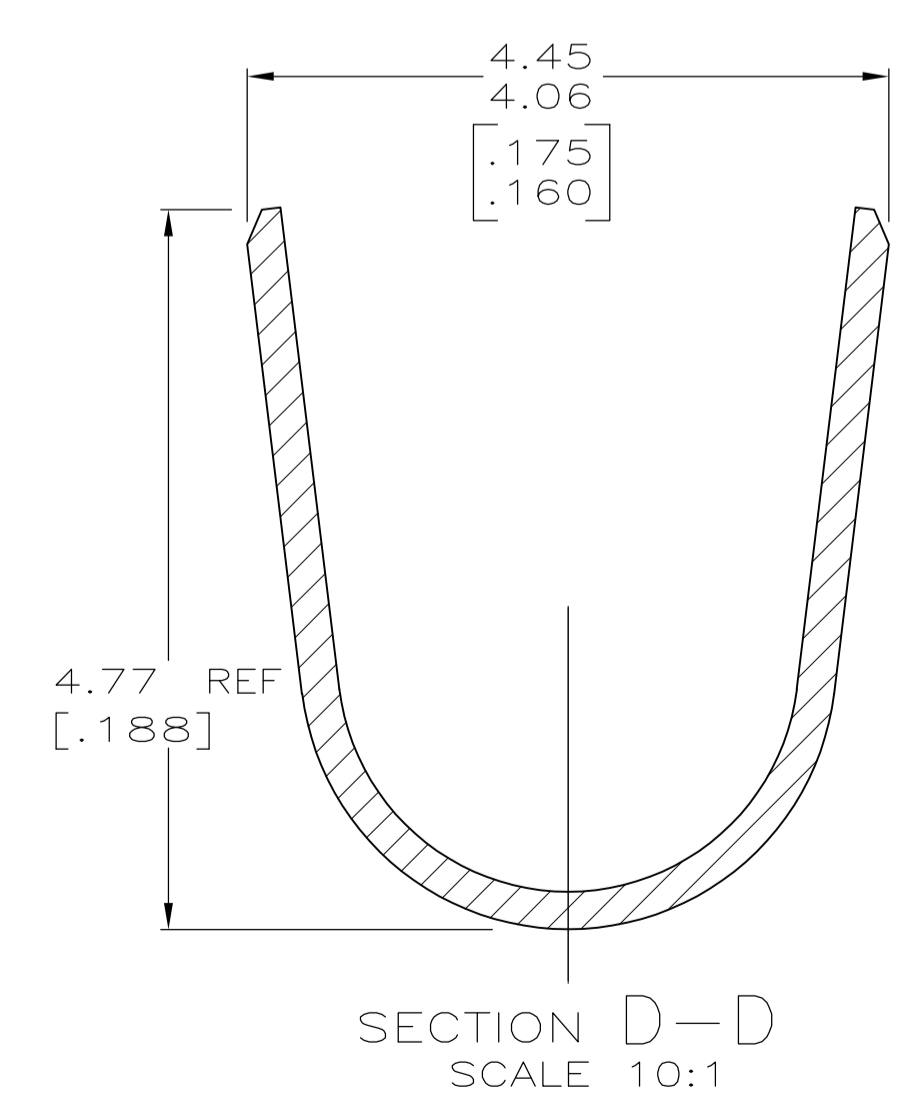
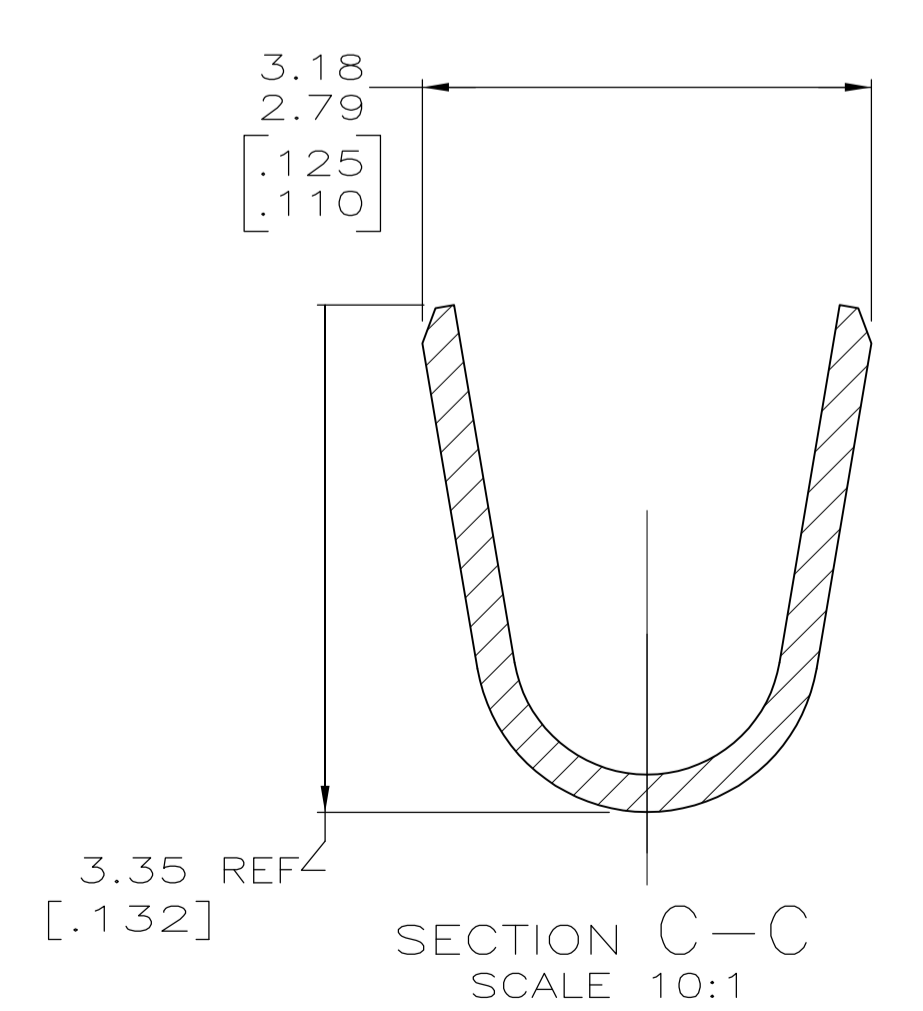
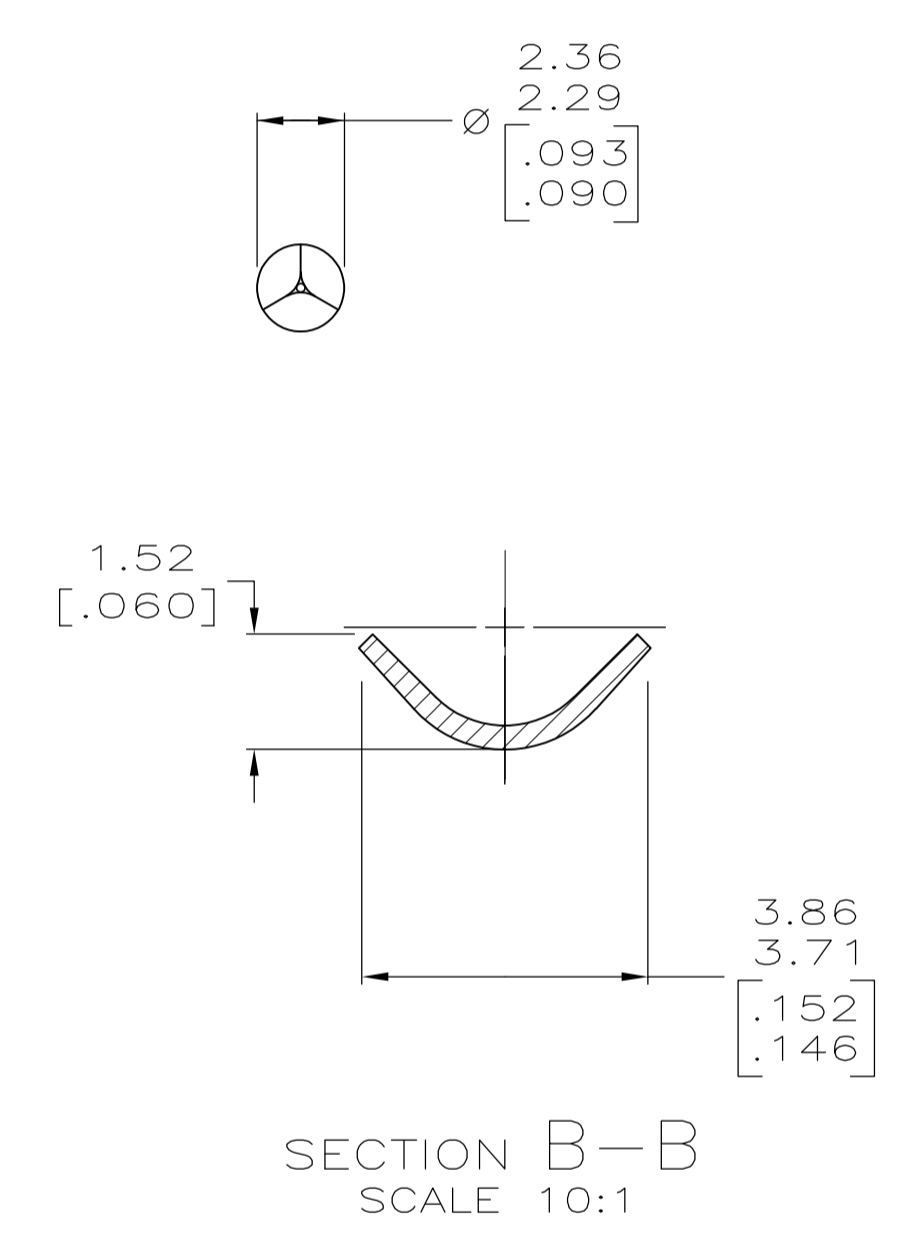
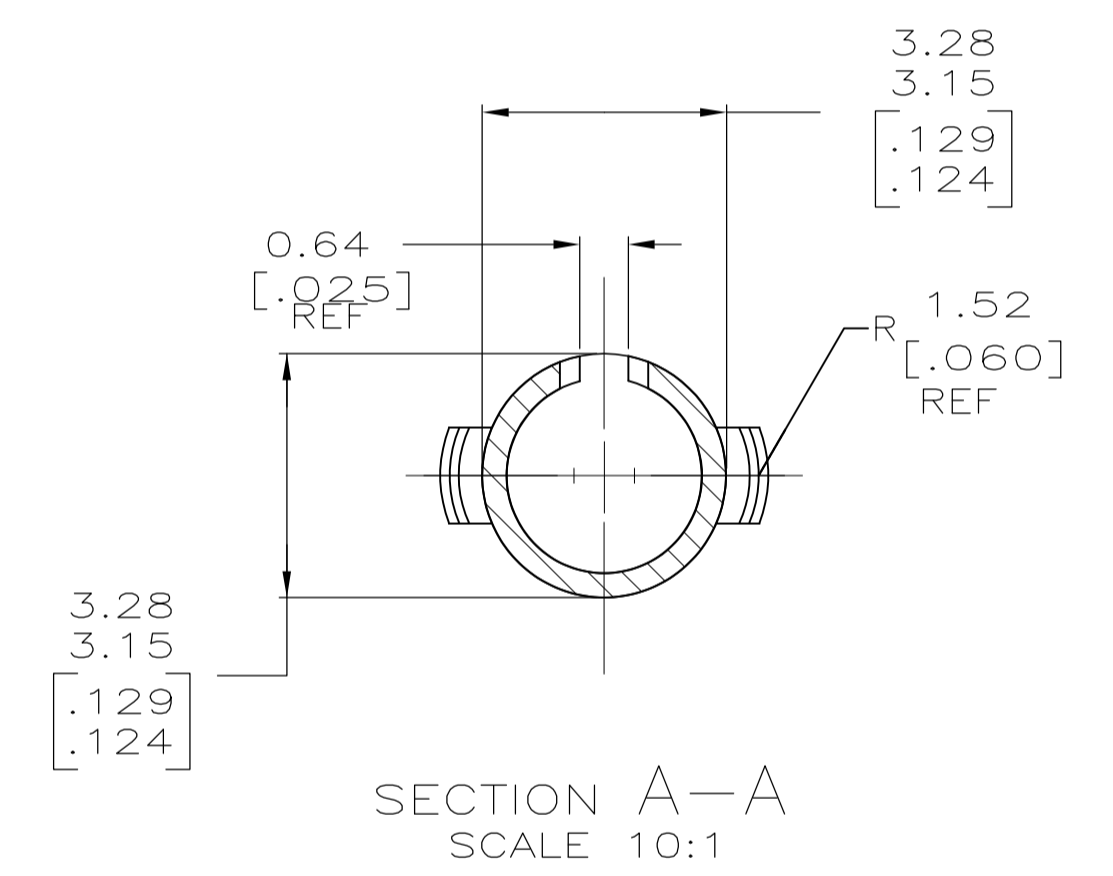
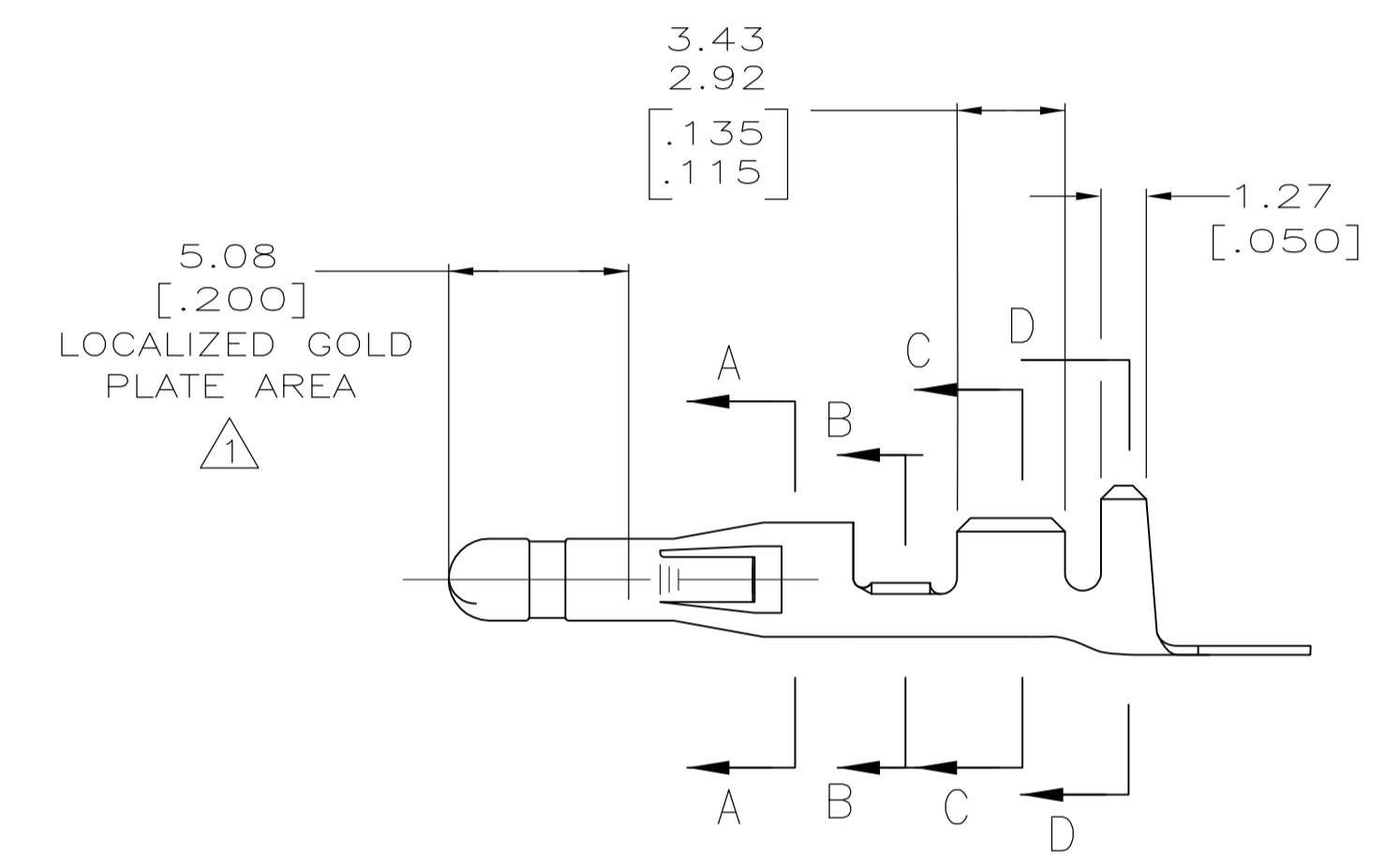
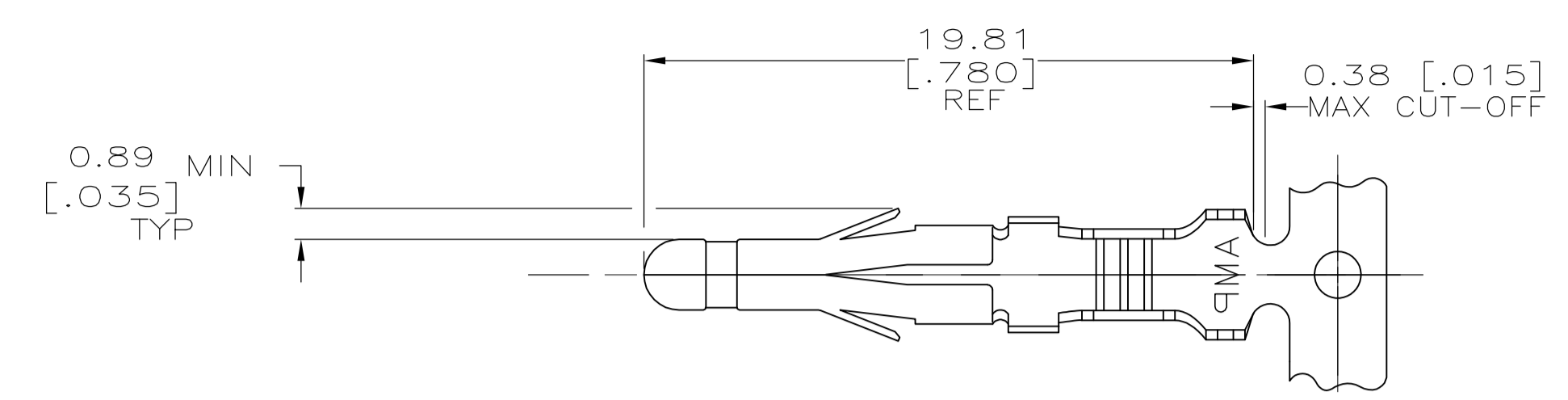


LOC		DIST		REVISIONS			
CM	00	REV	DATE	BY	CHK	APPV	
AF1	REVISED PER ECO-11-005027		11MAR11	RK	HMR		

- 1 0.00076 [.000030] MIN GOLD IN LOCALIZED GOLD PLATE AREA OVER 0.00127 [.000050] MIN NICKEL.
- 2 WIRE RANGE: 0.5 -2mm² (20-14 AWG).
- 3 INSULATION RANGE: 3.56 [.140] MAX. DIA.
- 4 DIMENSIONS IN BRACKETS ARE IN INCHES.



METRIC

△	0.25 [.010] BRASS	350416-5
PRE-TIN	0.25 [.010] BRASS	350416-1
FINISH	MATERIAL	PART NUMBER

THIS DRAWING IS A CONTROLLED DOCUMENT.		DWN L. SMITH 2-11-93	TE Connectivity	
DIMENSIONS: mm [INCHES]		CHK R. SWING 2-11-93	NAME .093 PIN COMMERCIAL PIN AND SOCKET	
TOLERANCES UNLESS OTHERWISE SPECIFIED:		APPV G. CASH 2-11-93	SIZE CAGE CODE DRAWING NO. RESTRICTED TO	
0. PLC ± -	1. PLC ± -	PRODUCT SPEC	A1 00779 C=350416	
2. PLC ± -	3. PLC ± 0.13(.005)	APPLICATION SPEC	SCALE 5:1 SHEET 1 OF 1 REV AF1	
4. PLC ± -	ANGLES ± -	WEIGHT -	CUSTOMER DRAWING	
MATERIAL SEE TABLE	FINISH SEE TABLE	SIZE	SCALE 5:1 SHEET 1 OF 1 REV AF1	