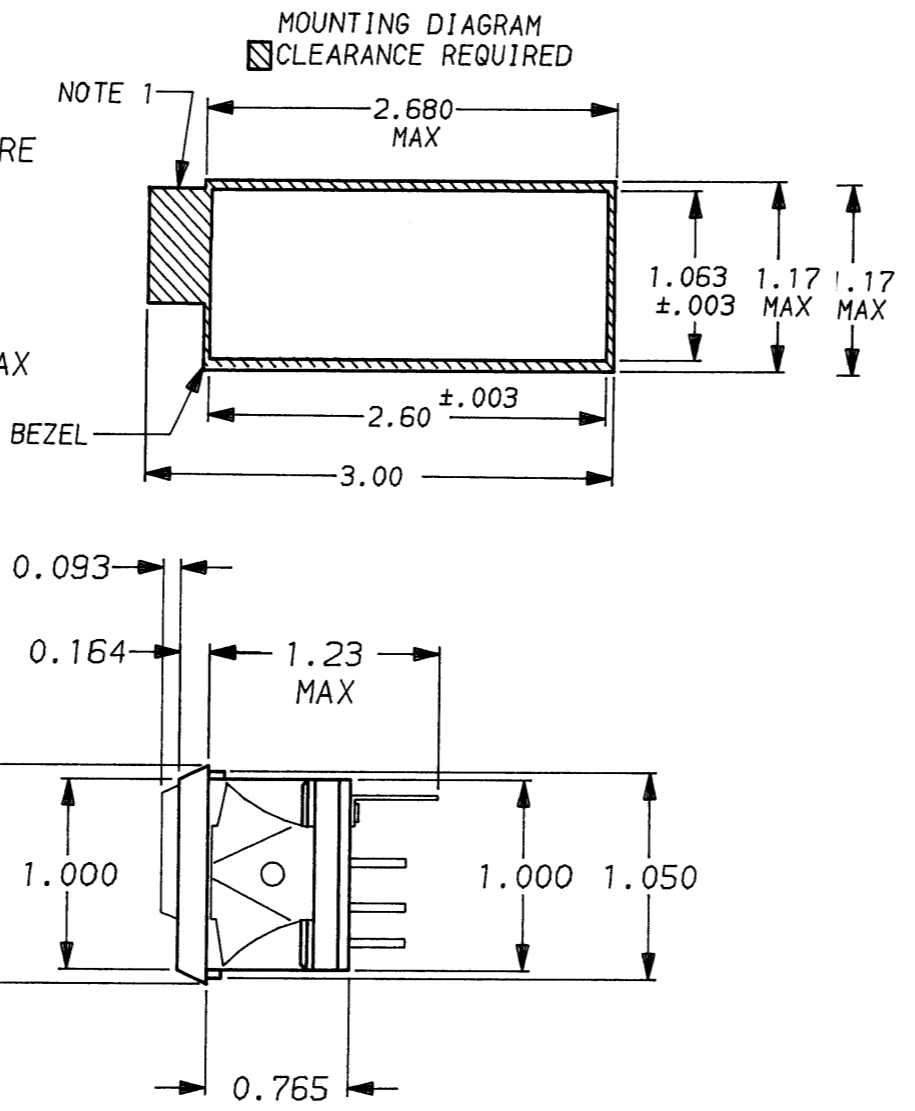
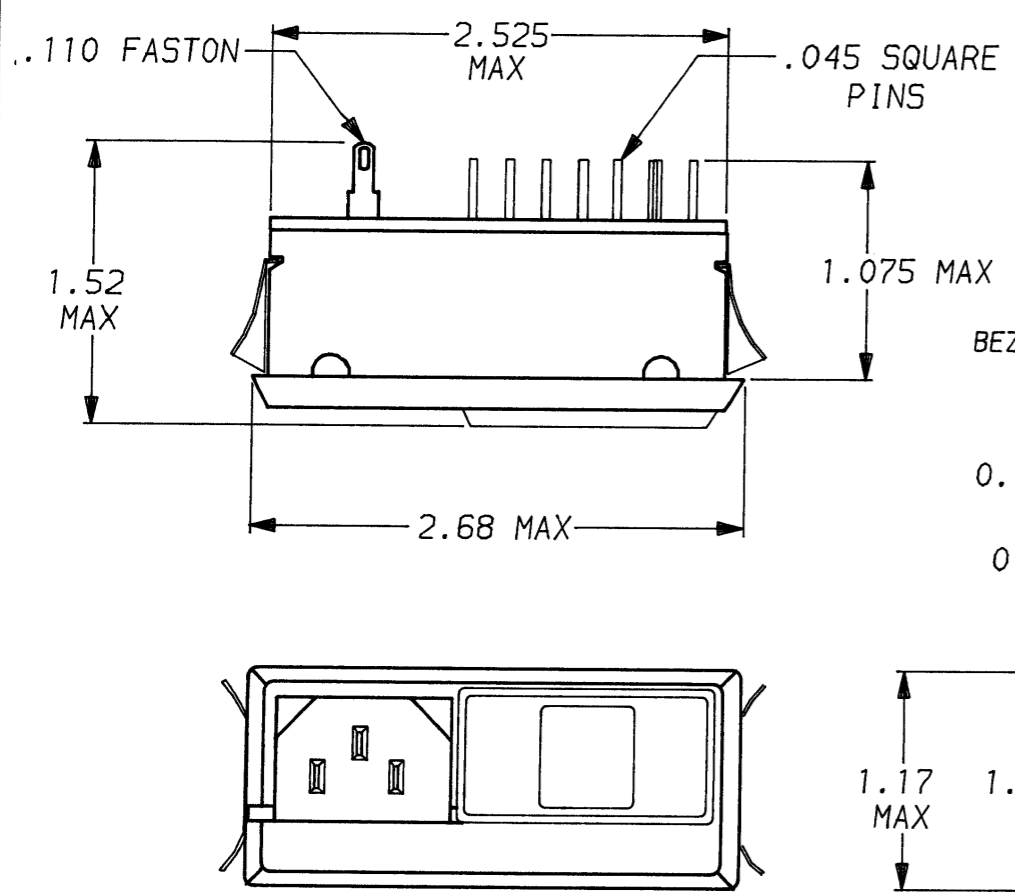


| DESCRIPTION | APPROVED BY | DATE | REV |
|---------------|-------------|---------|-----|
| | C. Westoby | 7-16-92 | 3 |
| ECO-09-026495 | AEG | 11DEC09 | 4 |



SAFETY ORGANIZATION(S):
 THIS MODULE HAS BEEN FORMALLY RECOGNIZED, CERTIFIED OR APPROVED BY THE LISTED AGENCY. THEREFORE, ALL TEST/REQUIREMENTS SPECIFIED IN THE LATEST REVISION OF THE FOLLOWING AGENCY STANDARDS HAVE BEEN MET:

UL RECOGNIZED
 CSA CERTIFIED
 OPERATING SPECIFICATIONS:
 LINE VOLTAGE/CURRENT:
 LINE FREQUENCY:
 MAX. LEAKAGE CURRENT, EACH LINE TO GROUND
 OPERATING VOLTAGES:
 6VJ1
 6VJ1-2

UL 498
 CSA 22.2, NO.0,0.4,42
 6 AMP., 120/250 VAC
 50-60Hz
 2 μA @ 120VAC 60 Hz
 5 μA @ 250VAC 50 Hz
 100, 120, 220, 240 VAC
 115, 230 VAC

RELIABILITY SPECIFICATIONS:
 STORAGE TEMPERATURE:
 HUMIDITY:
 CURRENT OVERLOAD TEST:

-40°C TO +85°C
 21 DAYS @ 40°C 95% RH
 6 TIMES RATED CURRENT FOR 8 SECONDS

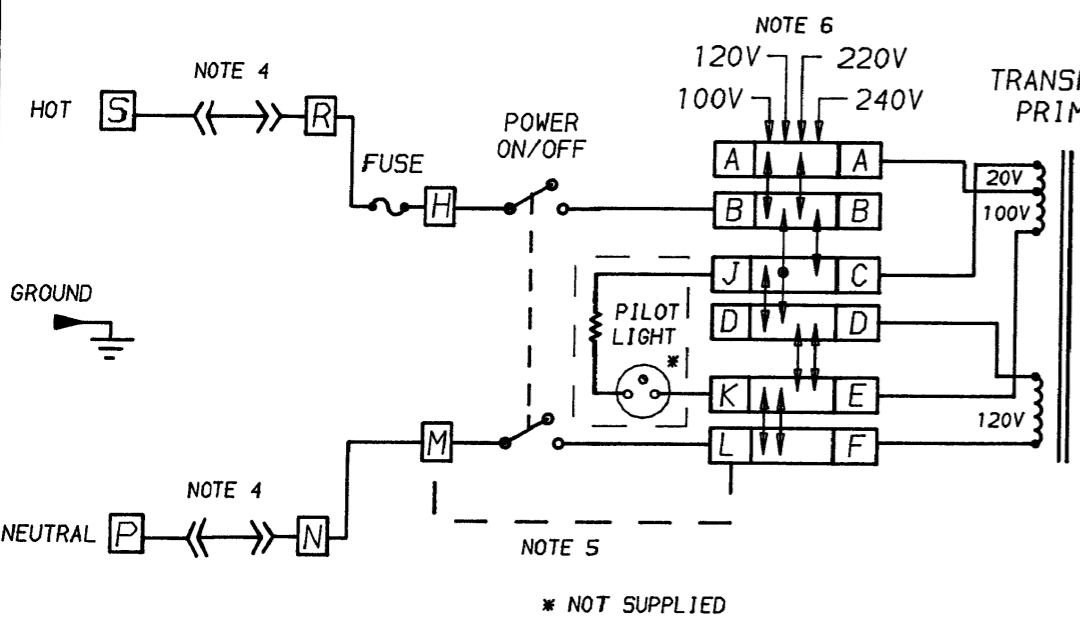
TEST SPECIFICATIONS:
 LINE/GROUND AND LINE/LINE INSULATION RESISTANCE

6000 MΩ (MIN) AT 100 VDC
 20°C AND 50% RH

RECOMMENDED RECEIVING INSPECTION HIPOT:
 LINES TO GROUND:
 LINE TO LINE:

2250 VDC FOR 1 MINUTE
 1450 VDC FOR 1 MINUTE

FILTER APPROVAL:
 THE BEST WAY TO SELECT AND QUALIFY A FILTER IS FOR YOUR ENGINEERING TO TEST THE UNIT IN YOUR EQUIPMENT.



- NOTES:**
- FUSE COVER DOOR SHOWN IN OPEN POSITION
 - STANDARD UNITS MOUNT IN PANEL THICKNESS OF .060 - .090"
 - SPECIAL MOUNTING CLIPS SOLD SEPARATELY FOR PANEL THICKNESSES OF .105 - .125"
 - JUMPERS REQUIRED IF NO FILTER IS USED
 - JUMPER REQUIRED IF ONLY SPST POWER SWITCH IS USED.
 - USE ONLY 120V AND 240V POSITIONS FOR 6VJ1-2
- ⚠️ OBSOLETE PARTS: OBSOLETE CIS STREAMLINING PER D.RENAUD/D.SINISI

| | |
|----------------------|----------|
| 1609124-2 | OBSOLETE |
| 6609124-2 | |
| 1609124-1 | |
| 6609124-1 | |

This document is proprietary to CORCOM INC. and is not to be reproduced nor used for manufacturing purposes except on CORCOM's order or prior written consent.

| | | | |
|--|----------------|----------------------------|---------------------------|
| TOLERANCE EXCEPT AS NOTED DECIMAL: .XXX .XX .X ANGLES ENGLISH: ±.015 ± 1° METRIC: ± — | | LIBERTYVILLE, IL 60048 | |
| MATERIAL: AS SUPPLIED | | POWER LINE FILTER | |
| FINISH: | SCALE NTS | DATE 8-10-90 | DRG. NO. 6VJ1 & 6VJ1-2 |
| | DRW. BY CFW | ORIGINATOR CFW | REV. 4 |