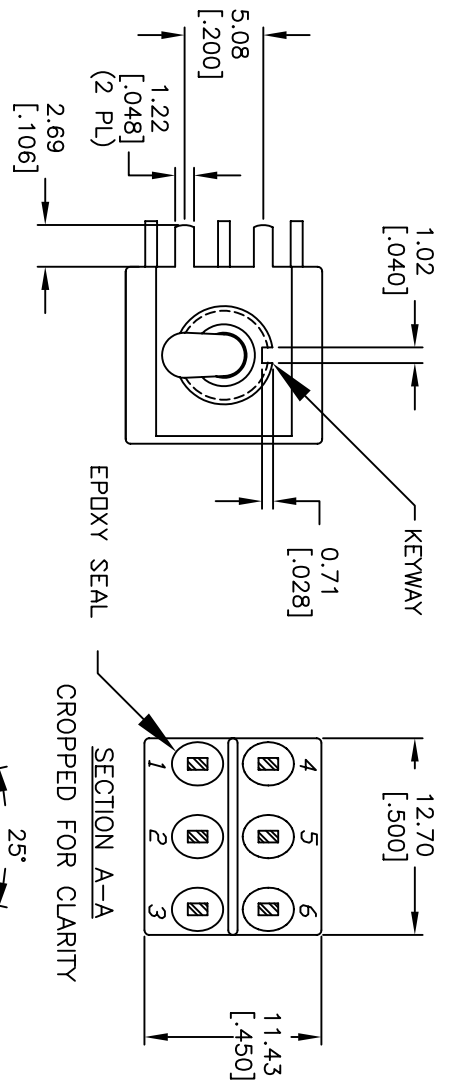


CIRCUIT: DPDT CONTACT CONFIGURATION

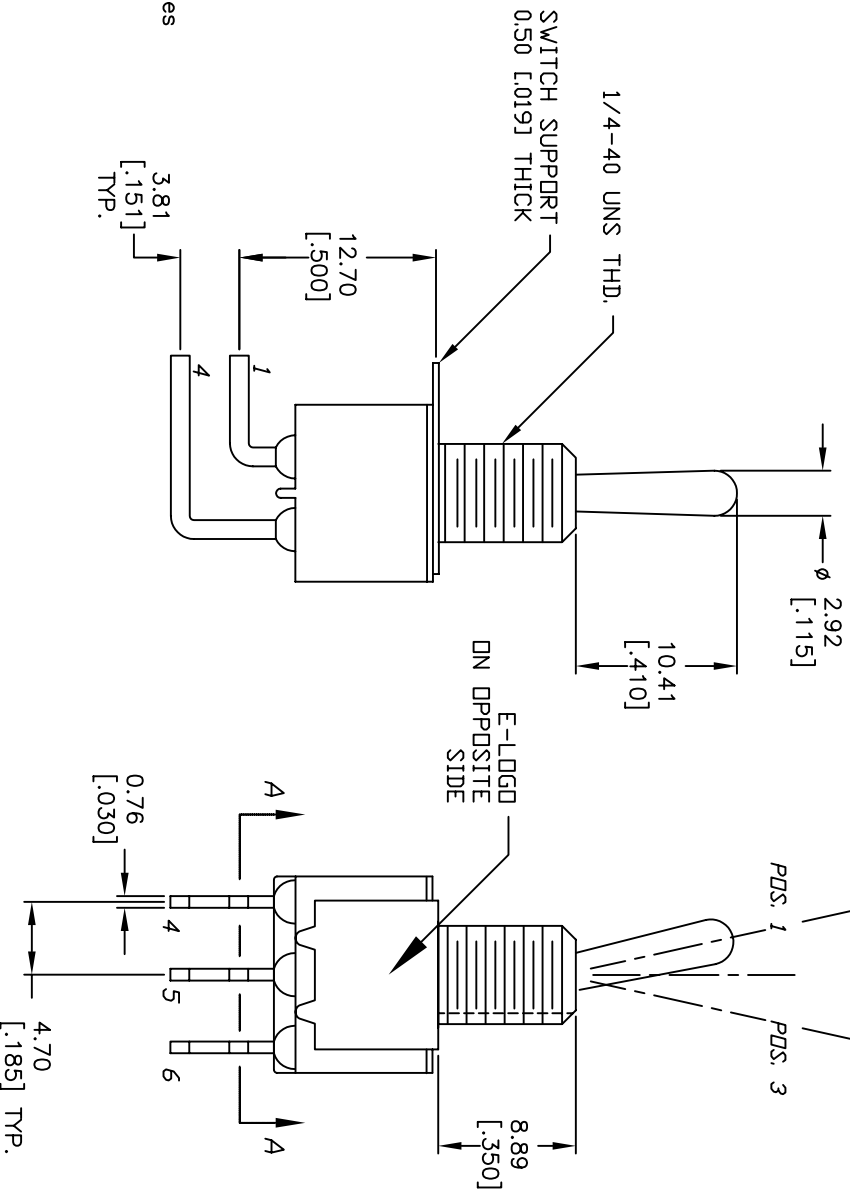
SWITCH FUNCTION			
PDS. 1	PDS. 2	PDS. 3	
DN	NONE	DN	
2-3,5-6	OPEN	2-1,5-4	

NOTES:

1. ALL DIMENSIONS IN MM [INCH]
2. GENERAL TOLERANCE: X.X=±0.4 X.XX=±0.25
3. TERM. NOS. FOR REF. ONLY
4. RATING: 5A @120VAC OR 28VDC; 2A @250VAC.
5. FIXED TERM. & MOVING CONTACT:
Copper Alloy W/SILVER plate.
6. ELECTRICAL LIFE: 50,000 make-and-break cycles at full load.
7. INSULATION RESISTANCE: 1,000M ohm min.
8. DIELECTRIC STRENGTH: 1,000V RMS @sea level.
9. OPERATING TEMP.: -30°C to +85°C.
10. HARDWARE TO BE SHIPPED BULK:
T100000 - HEXNUT - QTY 2
T100011 - LOCKWASHER - QTY 1
T100015 - LOCKRING - QTY 1
11. 2002/95/EC (ROHS) COMPLIANT

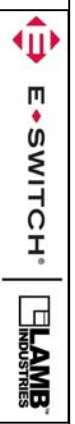


SECTION A-A
CROPPED FOR CLARITY



REV.	ECN No.	DESCRIPTION	DATE	CHKD
A	18500	RELEASED FOR PRODUCTION	4/24/09	BLR

SCALE	DATE	DR	DWG	REV
2:1	4/24/09	BLR	ST121059	A



TITLE
100DP1T1B1M6QEH

THE INFORMATION CONTAINED IN THIS DOCUMENT IS PROPRIETARY TO E-SWITCH AND IS NOT TO BE COPIED OR TRANSFERRED