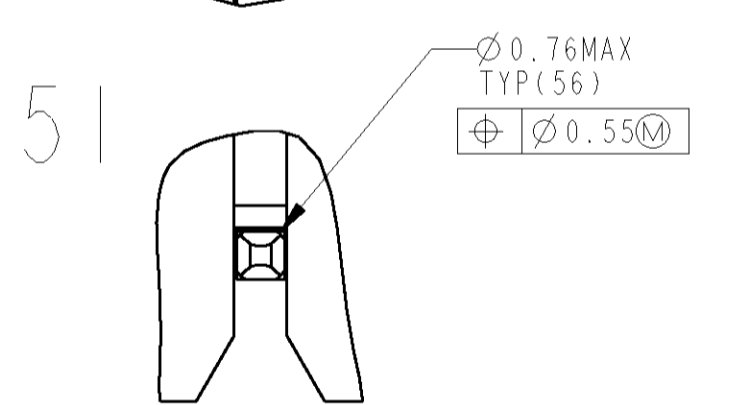
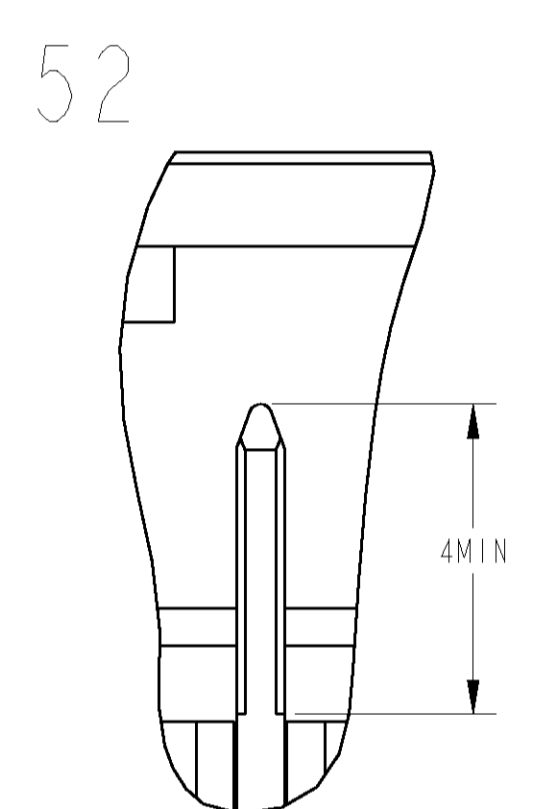
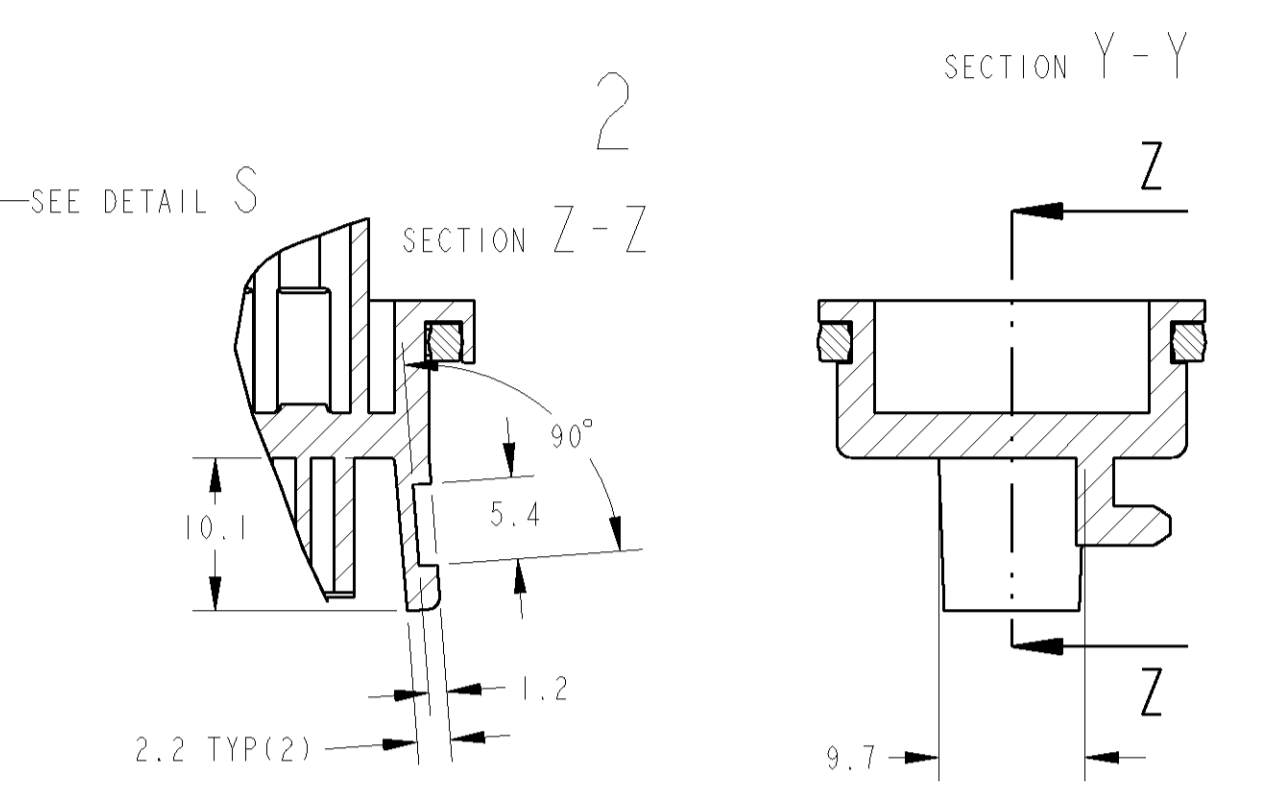
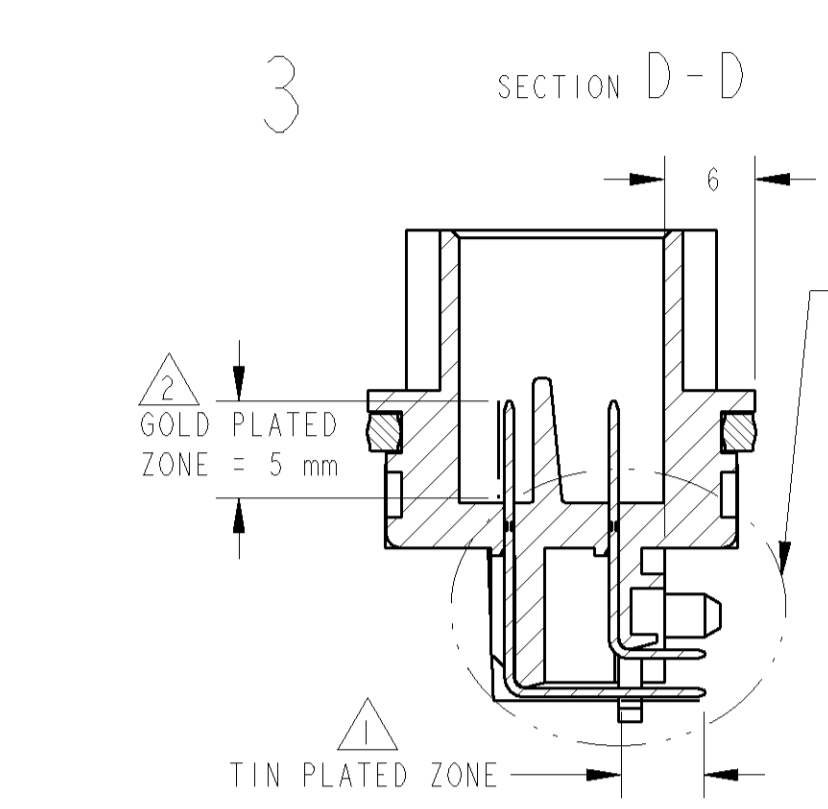
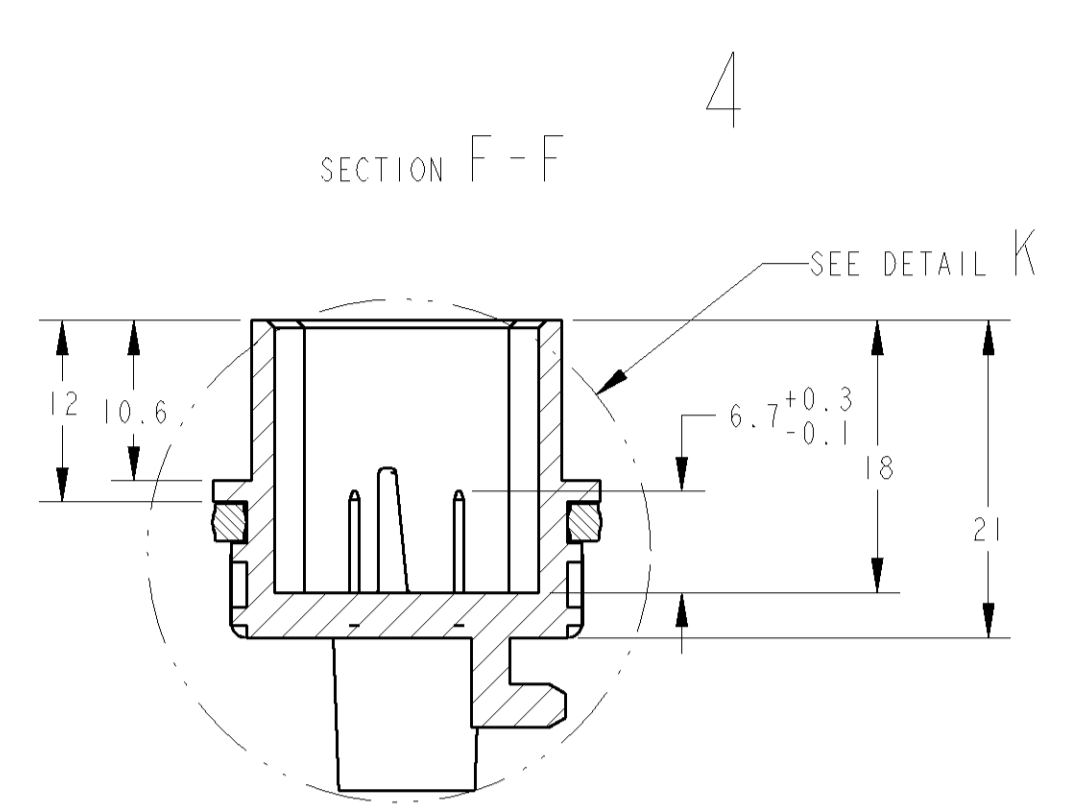
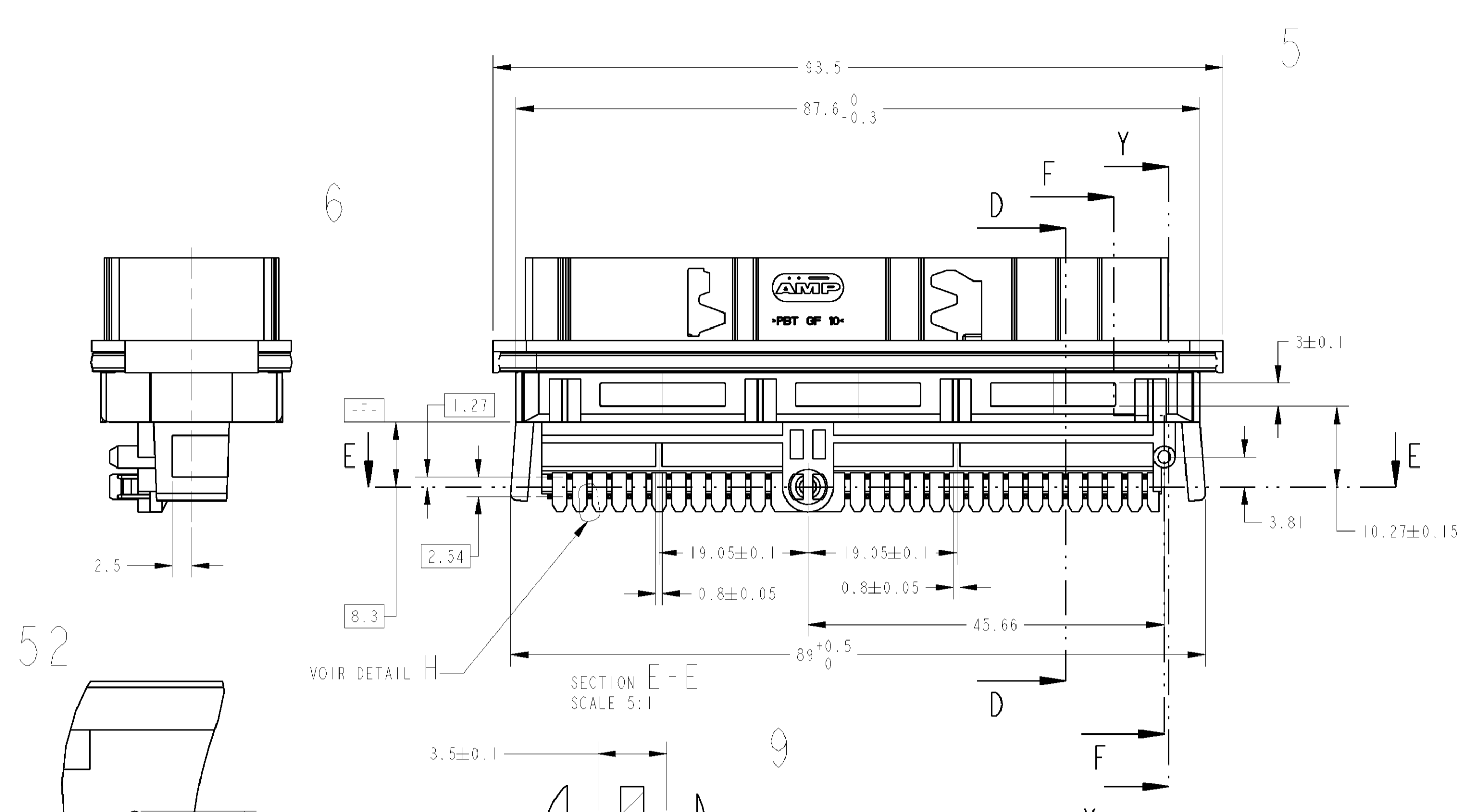
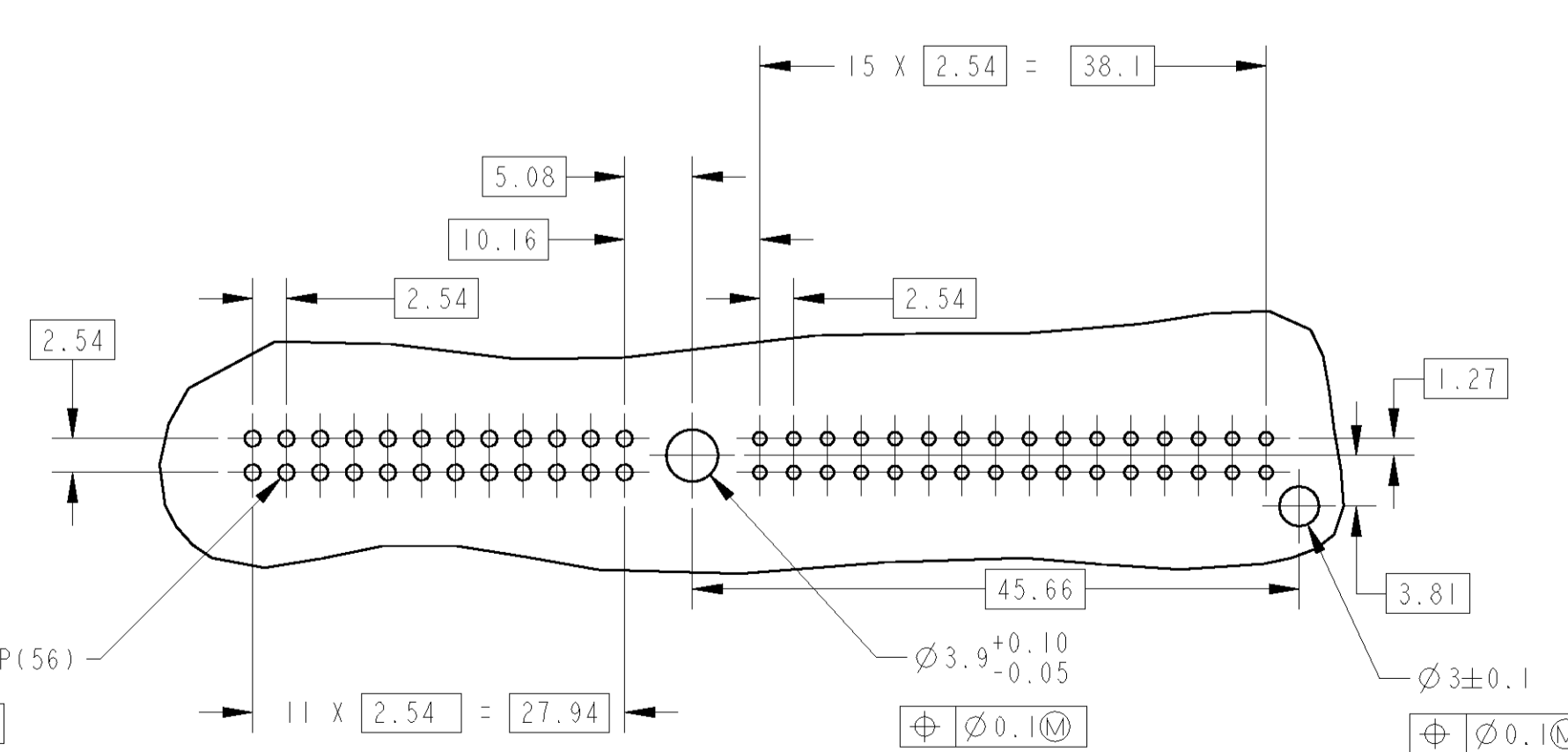
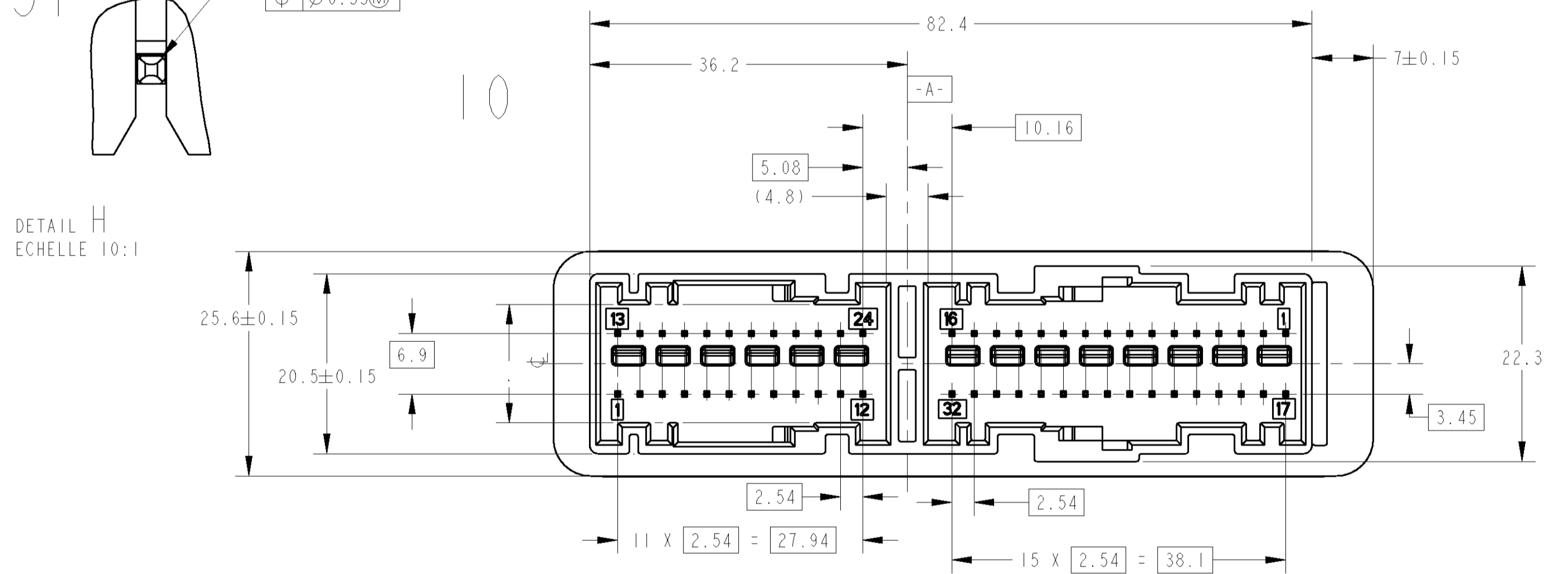
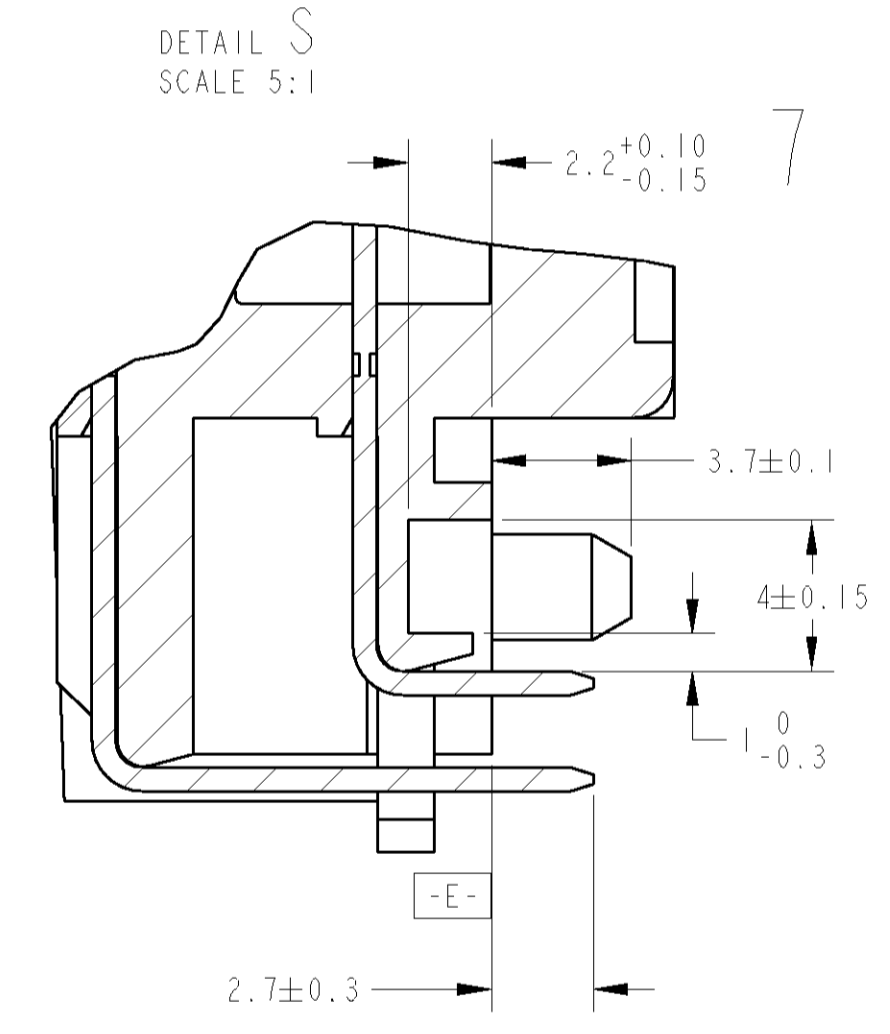
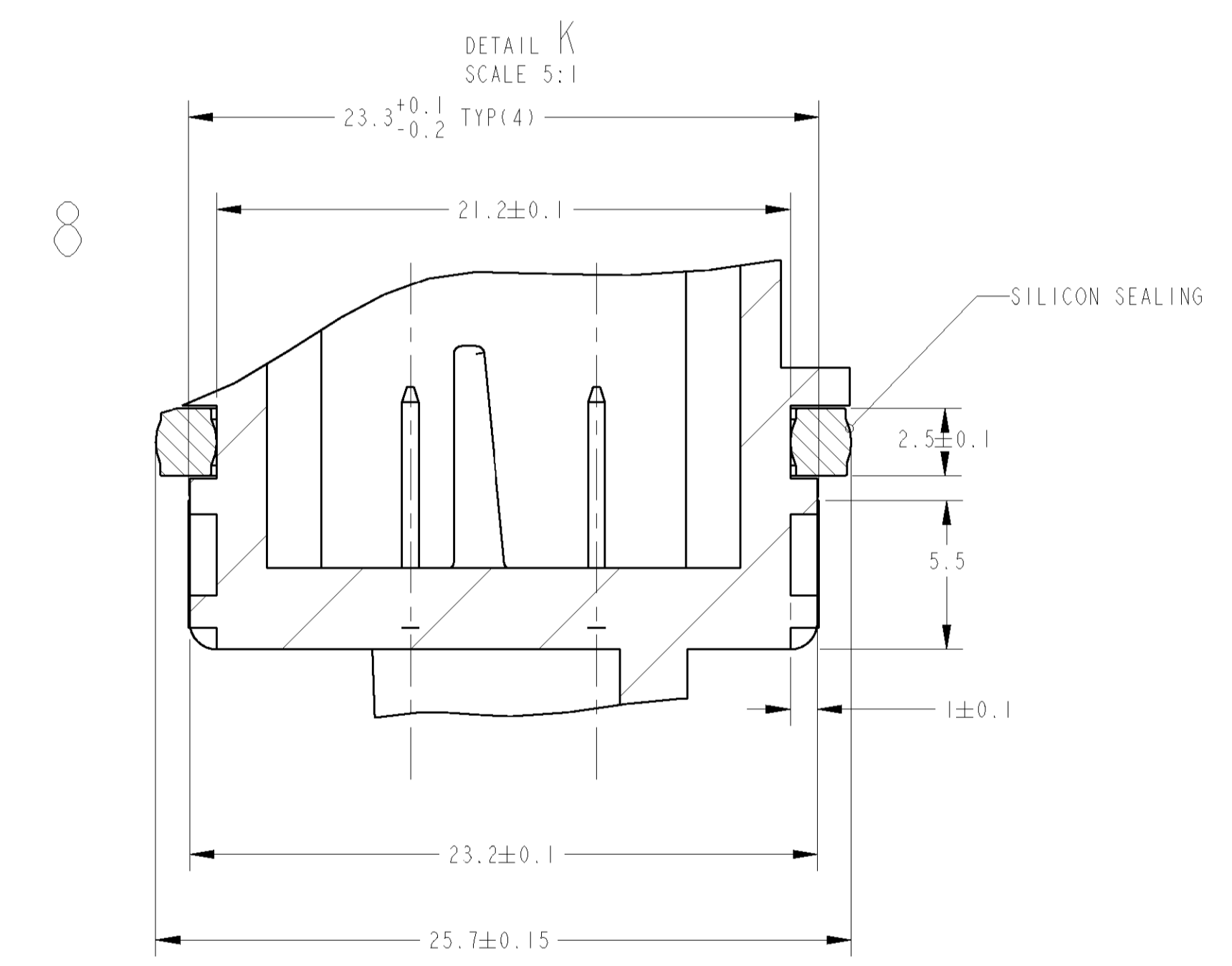
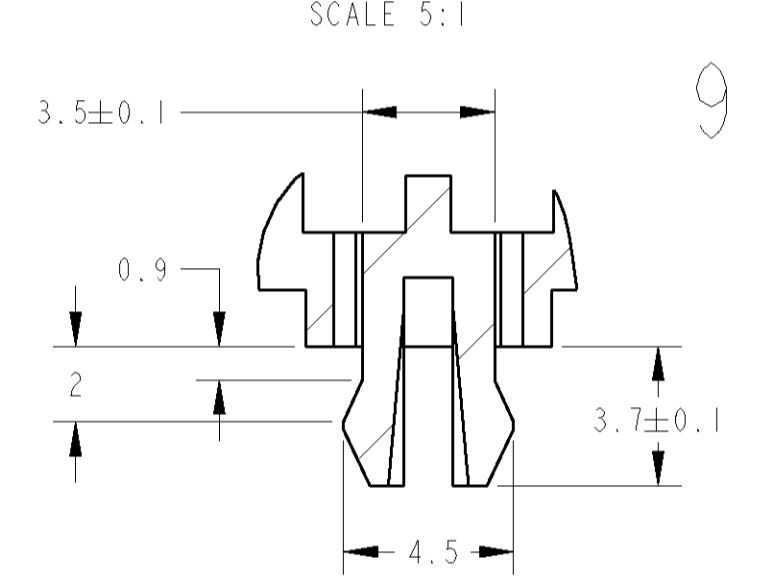


LOC	DIST	REVISIONS				
F	7	REV	DESCRIPTION	DATE	DWN	APPR
		A	UPDATE TOLERANCES	01-AUG-00	JLO	
		B	REMOVE LAST TIME	20-SEP-00	EM	JLO
		C	ROUND SHAPE OF PINS ON PCB SIDE	18-JUN-01	JLO	
		D	ADD THE NEW CODINGS 1379046-2/-3/-4/-5	31JUL2003	NT,N	J.L
		E	MAKE OFFICIAL THE P/NS 1379046-3/-4/-5	10-MAR-04	NT,N	J.L
		-	-	-	-	-
		-	-	-	-	-
		-	-	-	-	-



DETAIL H
ECHELLE 10:1



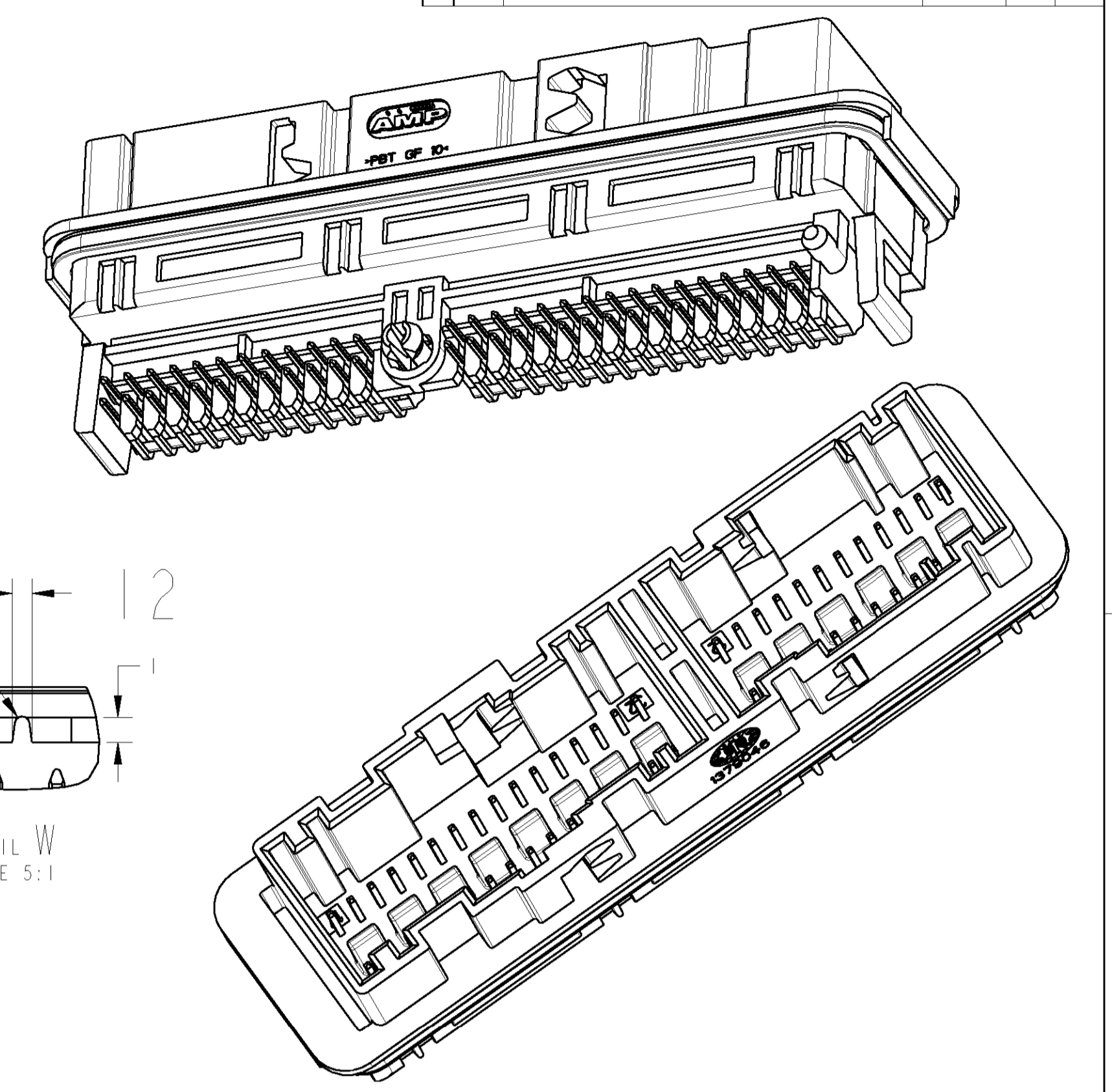
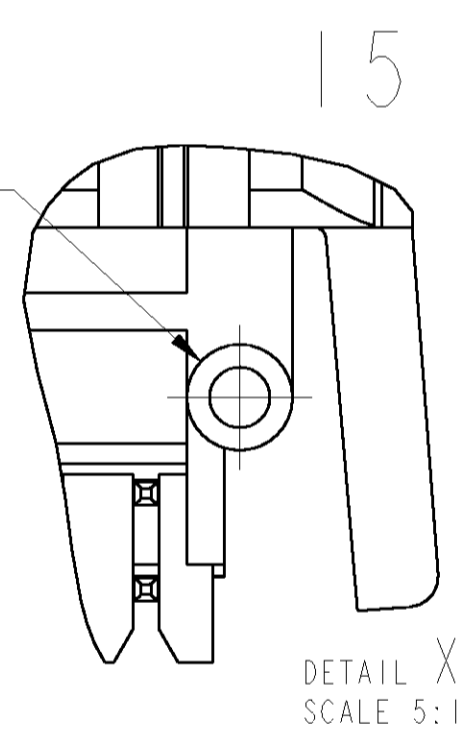
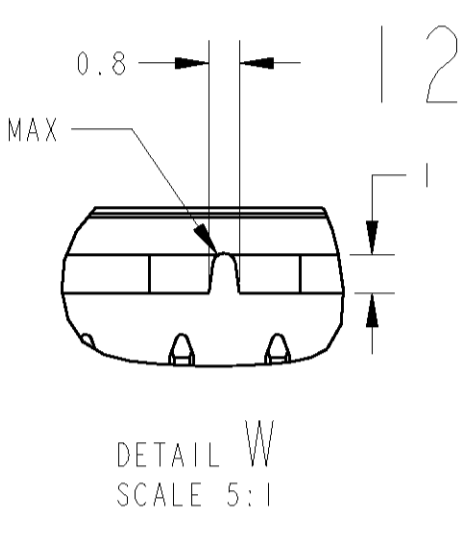
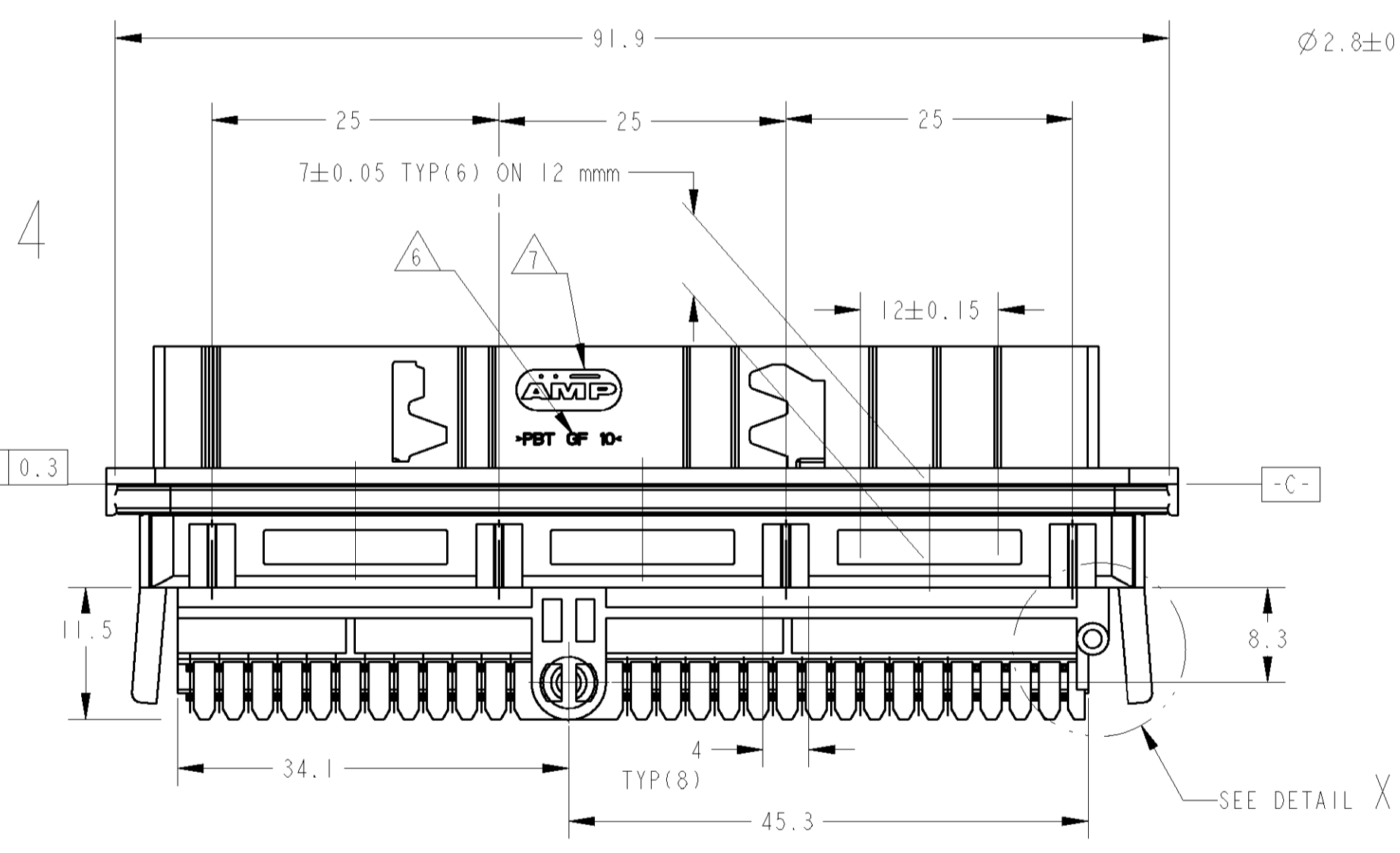
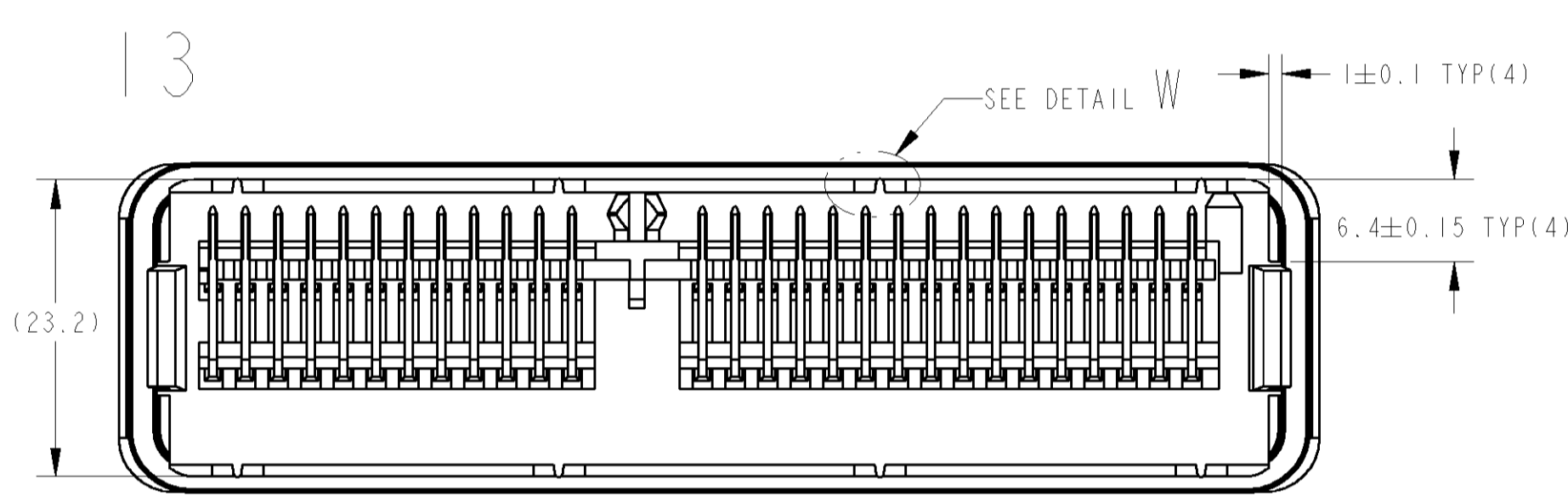
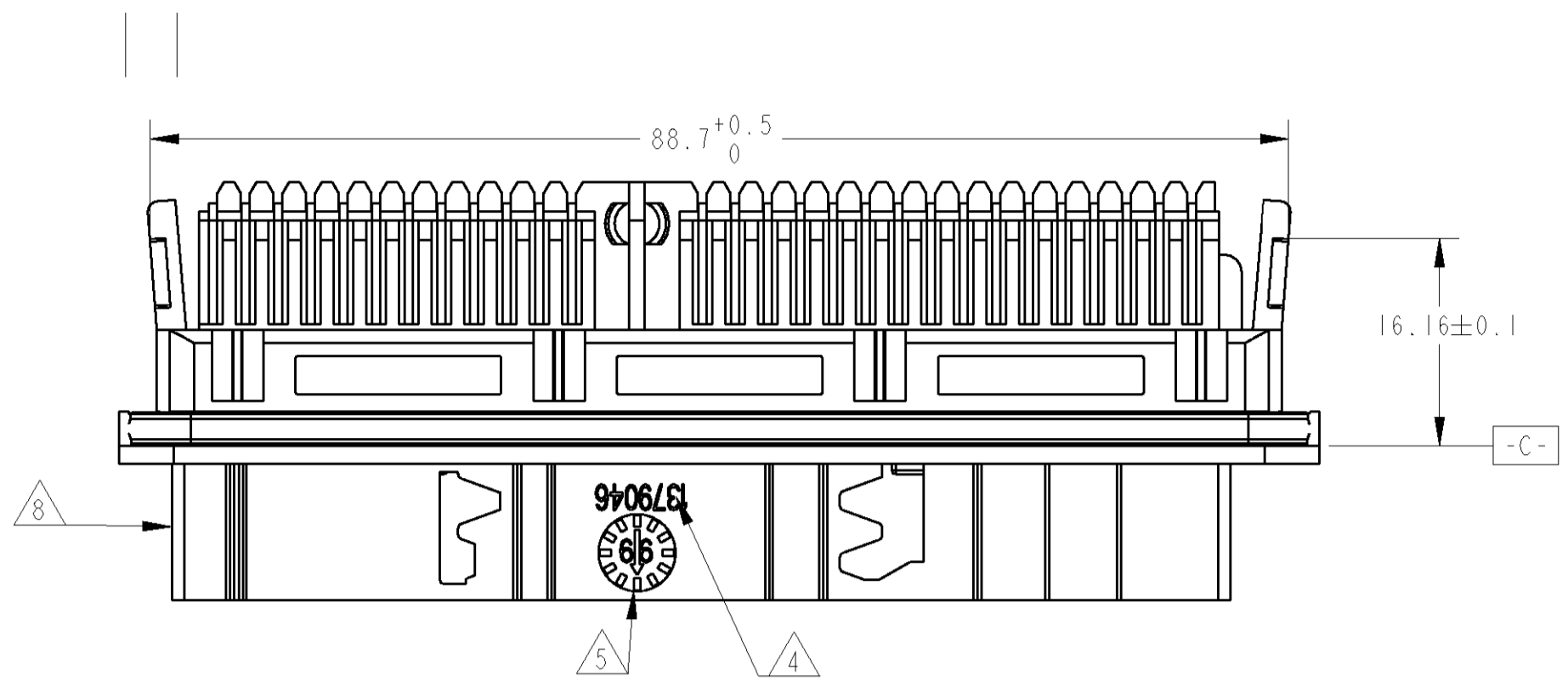
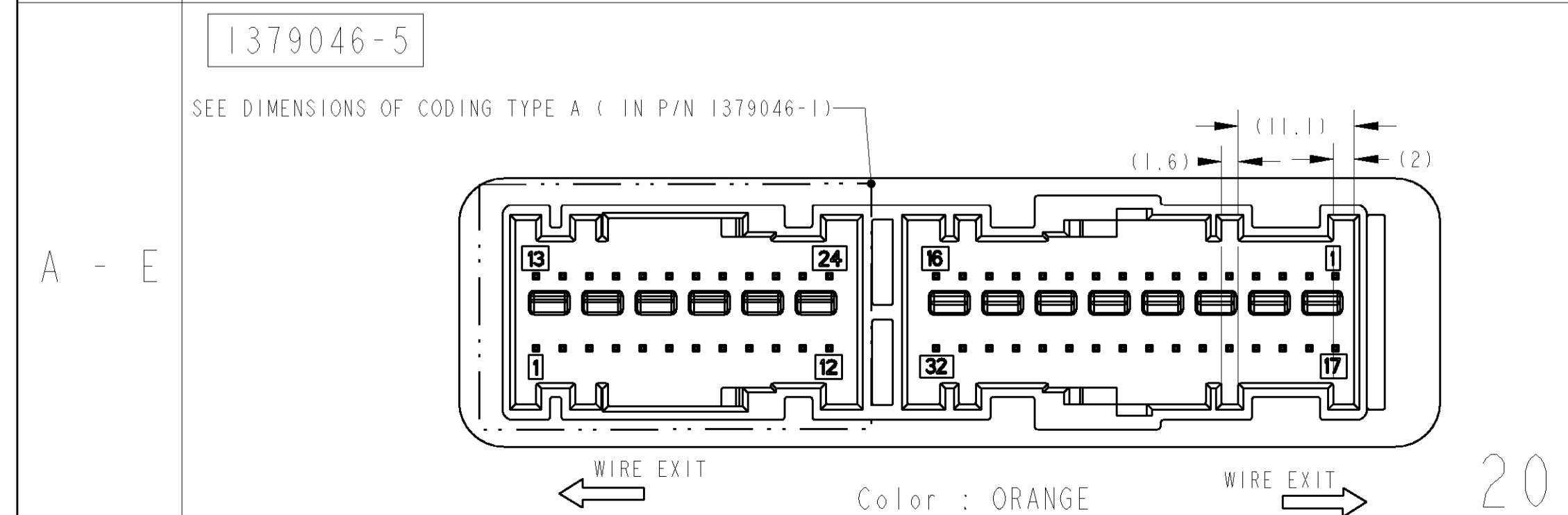
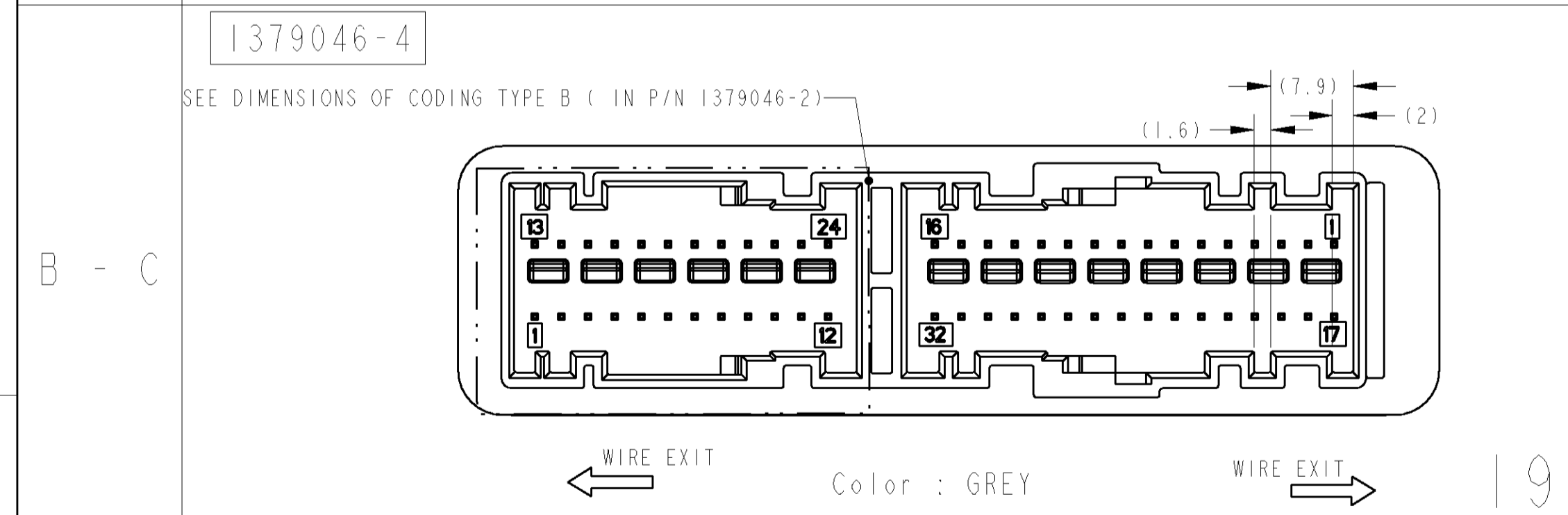
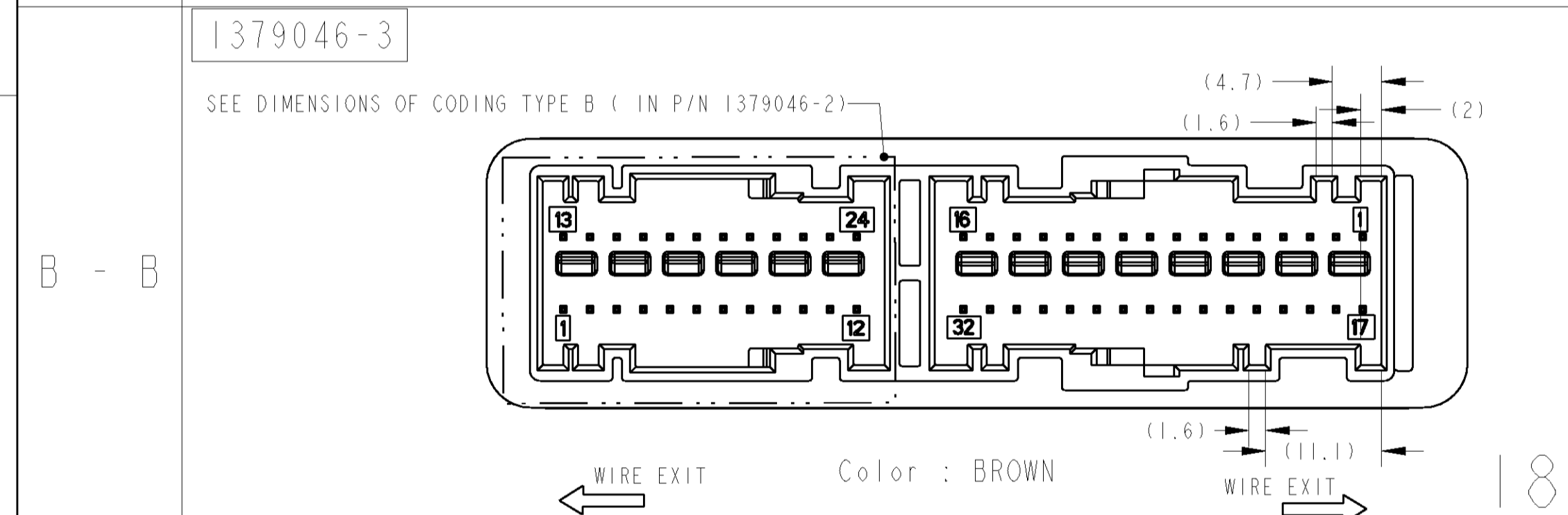
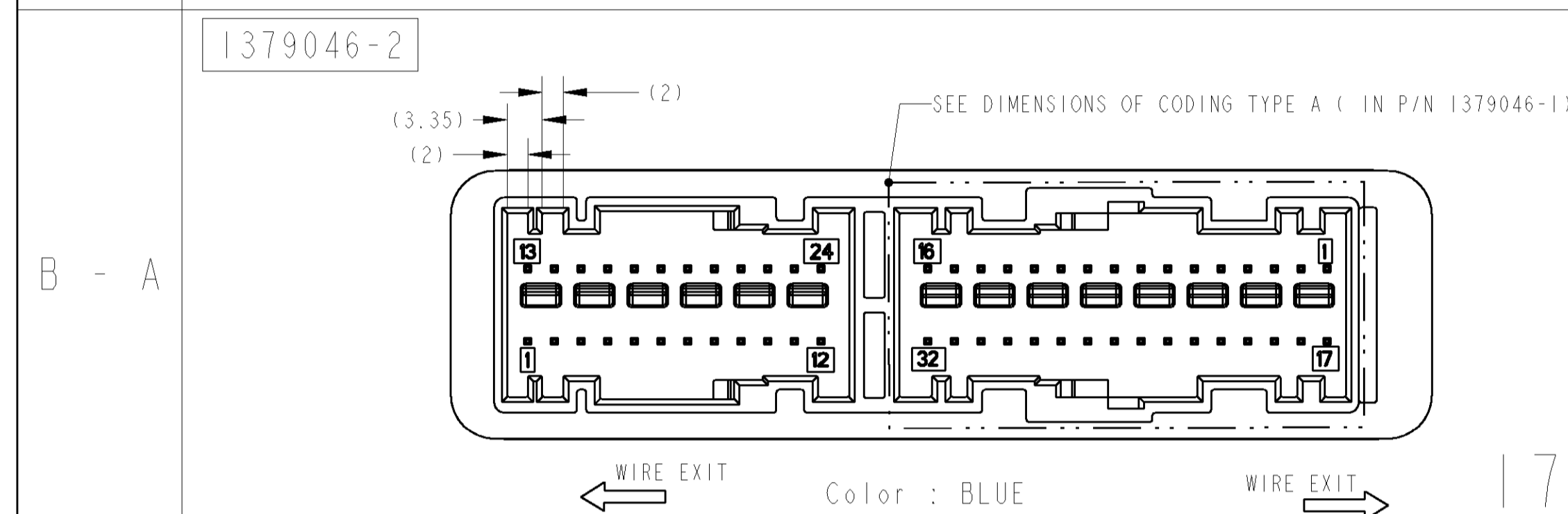
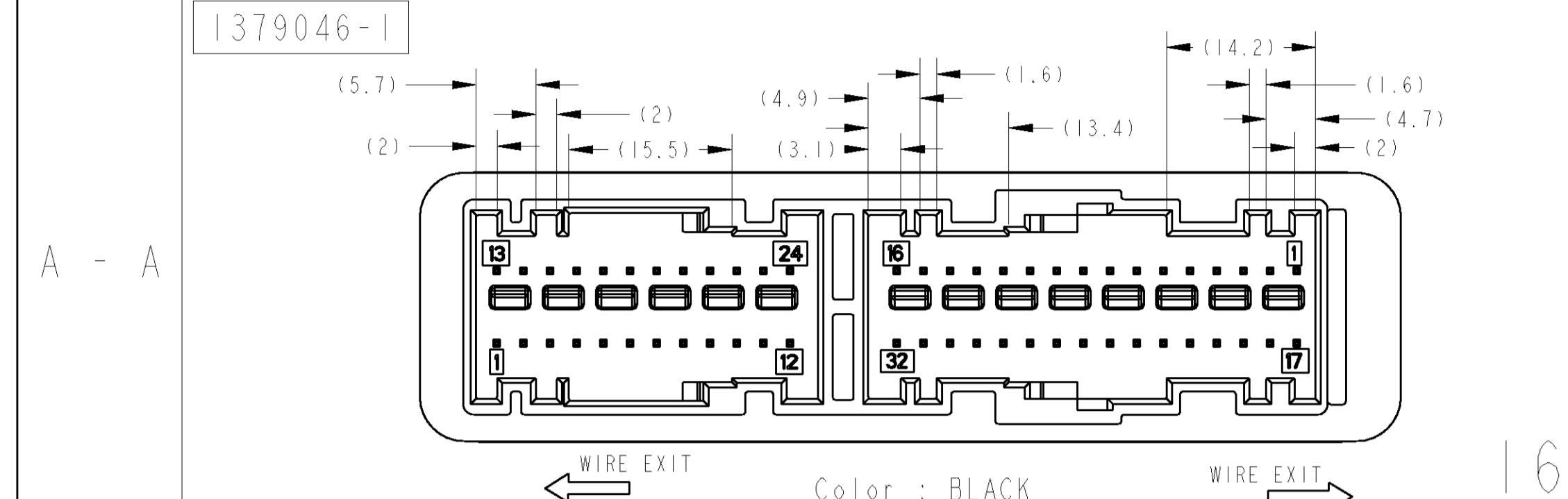
RECOMMENDED PCB LAYOUT
VIEW FROM TOP

1379046-1 AS SHOWN

<small>THIS DRAWING IS UNPUBLISHED. RELEASED FOR PUBLICATION. ALL RIGHTS RESERVED. ALL DIMENSIONS ARE IN MILLIMETERS UNLESS OTHERWISE SPECIFIED. TOLERANCES UNLESS OTHERWISE SPECIFIED:</small>		DWN: J. LAQUERBE 02-FEB-00 CDR: J. LAQUERBE 28-APR-00 APVD: J. REVILL 28-APR-00	AMP AMP DE FRANCE 95301 PONTOISE
DIMENSIONS: mm 	TOLERANCES UNLESS OTHERWISE SPECIFIED: 0 PLC ±0.3 1 PLC ±0.2 2 PLC ±0.1 3 PLC ± 4 PLC ± ANGLES ±	NAME: 24 + 32 W MOS RIGHT ANGLE HEADER PRODUCT SPEC: 108-15312 APPLICATION SPEC:	SIZE: 32.1g CAGE CODE: 00779 DRAWING NO: 1379046 SCALE: 2:1 SHEET 1 OF 2 REV E
MATERIAL: FINISH:		WEIGHT: 32.1g CUSTOMER DRAWING:	RESTRICTED TO:

LOC	DIST	REVISIONS				
F	7	REV	DESCRIPTION	DATE	DWN	APPR
-	-	SEE SHEET 1				

CODE TYPE CODING



- NOTES:
- 1 TIN PLATED 2.5µm MINI OVER NICKEL
 - 2 GOLD PLATED 0.4µm MINI OVER NICKEL 1µm MINI
 - 3 CONTACTS : BRONZE (CuSn6)
 - 4 ASSY PART NUMBER : 1379046
 - 5 HOUSING DATE CODE
 - 6 MATERIAL REFERENCE : PBT GF 10
 - 7 AMP LOGO
 - 8 ASSY DATE CODE: DD M Y
 - 9 MATERIAL FOR SEALING : 50±5 SHORE A

<small>THIS DRAWING IS UNPUBLISHED. RELEASED FOR PUBLICATION. ALL RIGHTS RESERVED.</small>		DWN J. LAQUERBE 02-FEB-00 CDR J. LAQUERBE 28-APR-00 APVD J. REVILL 28-APR-00	AMP AMP DE FRANCE 95301 PONTOISE
DIMENSIONS: mm 		TOLERANCES UNLESS OTHERWISE SPECIFIED: 0 PLC ±0.3 1 PLC ±0.2 2 PLC ±0.1 3 PLC ± 4 PLC ± ANGLES ±	NAME: 24 + 32 W MOS RIGHT ANGLE HEADER PRODUCT SPEC APPLICATION SPEC WEIGHT CUSTOMER DRAWING
MATERIAL: - FINISH: -		SIZE: A1 CAGE CODE: 00779 DRAWING NO: C-1379046	RESTRICTED TO: - SCALE: 2:1 SHEET: 2 OF 2 REV: E