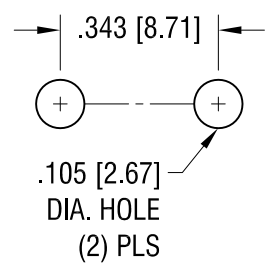
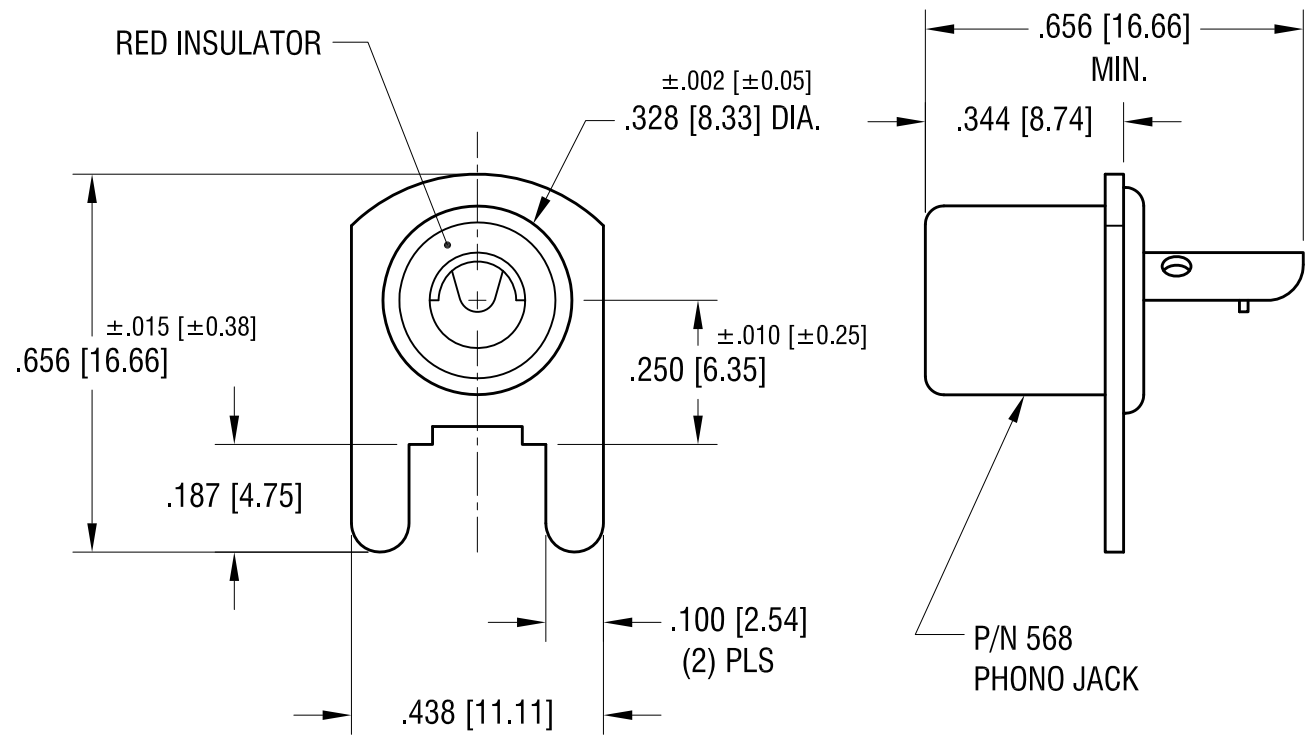


THIS DOCUMENT IS THE PROPERTY OF
KEYSTONE ELECTRONICS CORP. AND
SHALL NOT BE REPRODUCED, DISTRIBUTED
OR USED AS A BASIS FOR MANUFACTURE
WITHOUT PRIOR WRITTEN PERMISSION
FROM KEYSTONE ELECTRONICS CORP.

MOUNTING DETAIL



ACTUAL SIZE



NOTES:

- 1. SHELL: MAT'L - STEEL
- CONTACT: MAT'L - BRASS
- BASE: MAT'L - .032 [0.81] TH'K STEEL

KEYSTONE ELECTRONICS CORP.			
www.keyelco.com • ASTORIA, N.Y. 11105-2017 • Tel (718) 956-8900			
PART NAME		90° PC PHONO JACK	
MATERIAL		AS NOTED	
FINISH	TIN PLATE	DRN BY	BOONE
		APP'D	LN
		DATE	3.2.82
		SCALE	3X
TOLERANCES	INCH [MM]	CODE	DWG NO.
DECIMAL	$\pm .005$ [± 0.13]	C	571
ANGULAR	$\pm 1^\circ$		
UNLESS OTHERWISE SPECIFIED			

1.8.98	CHANGE AS PER ECR 98-002	B
3.25.87	REVISED	A
DATE	DESCRIPTION	REV.