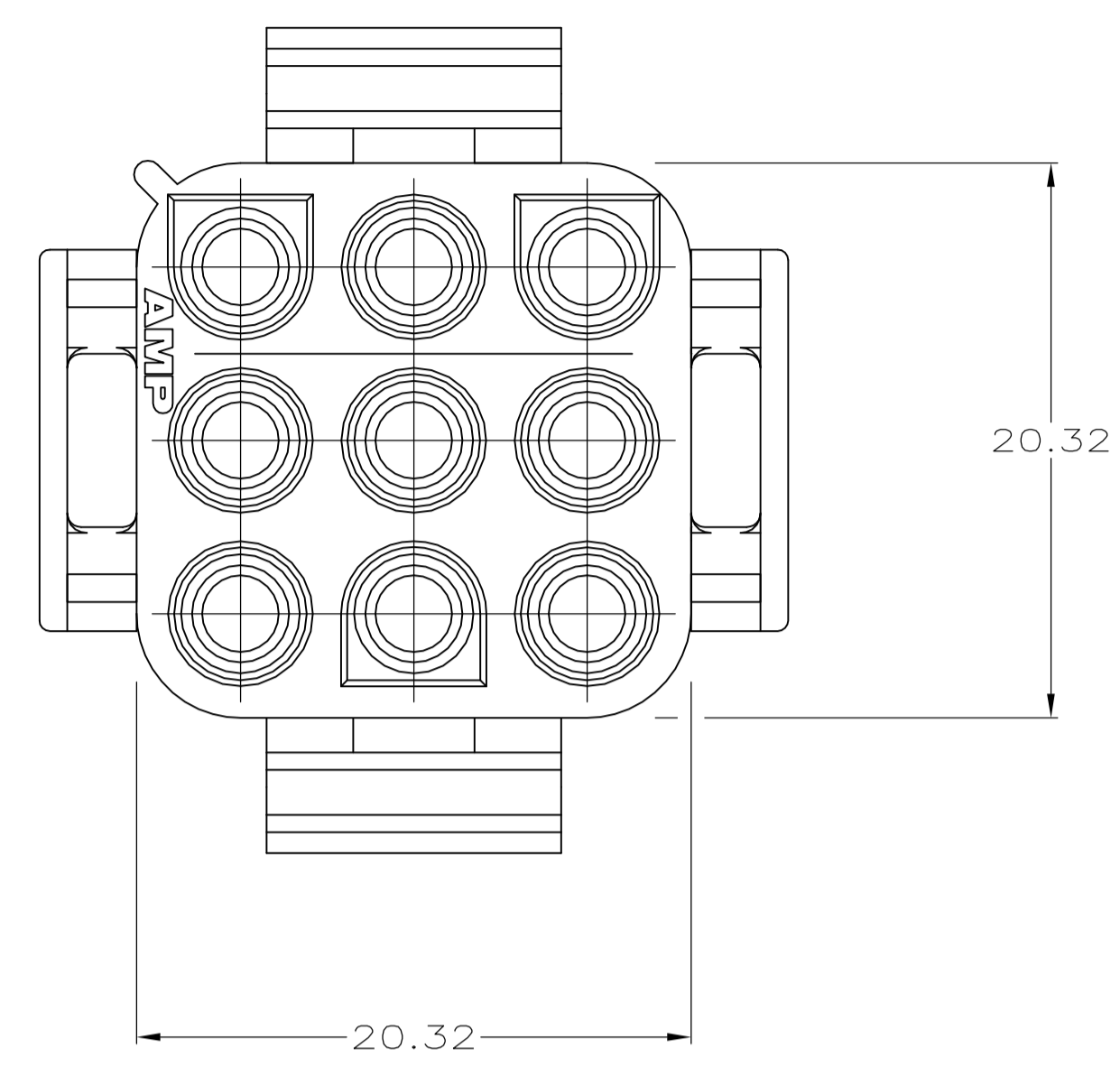
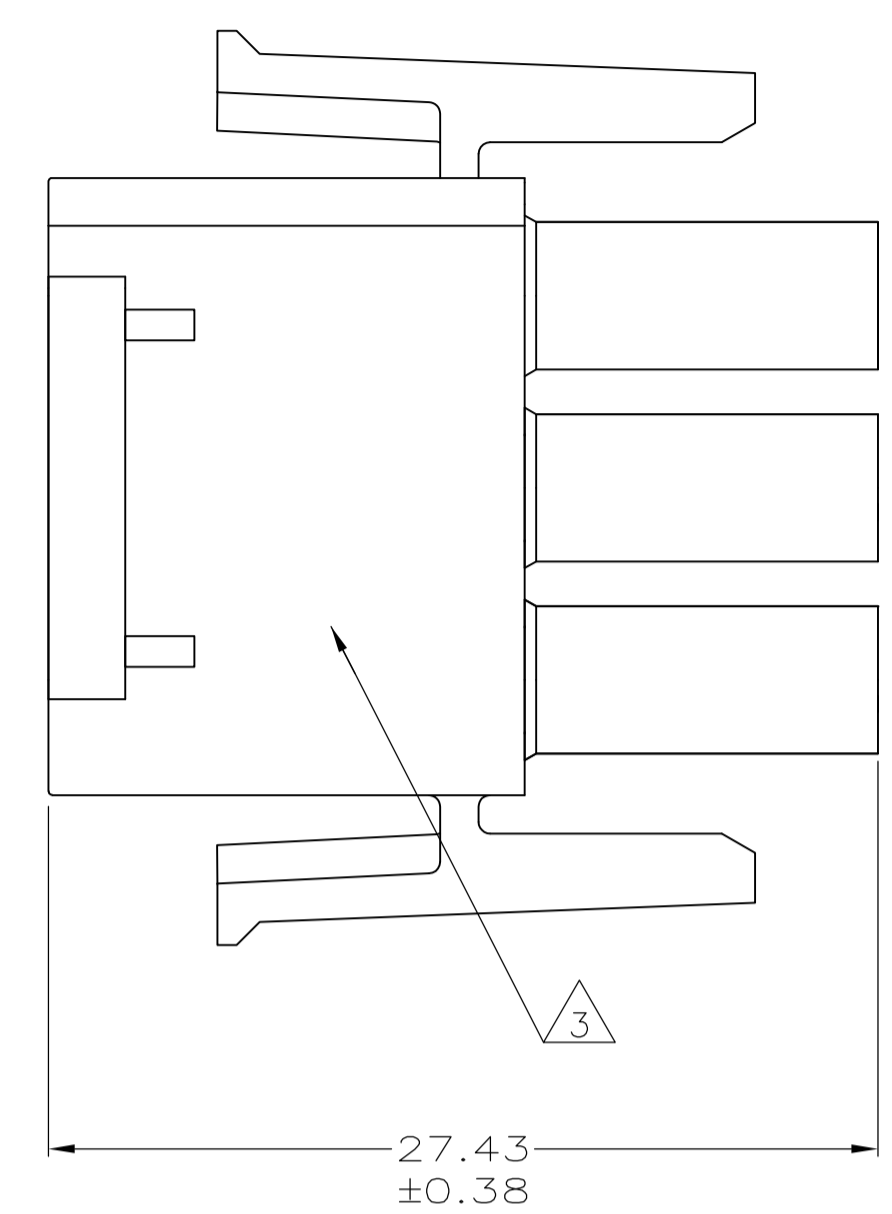
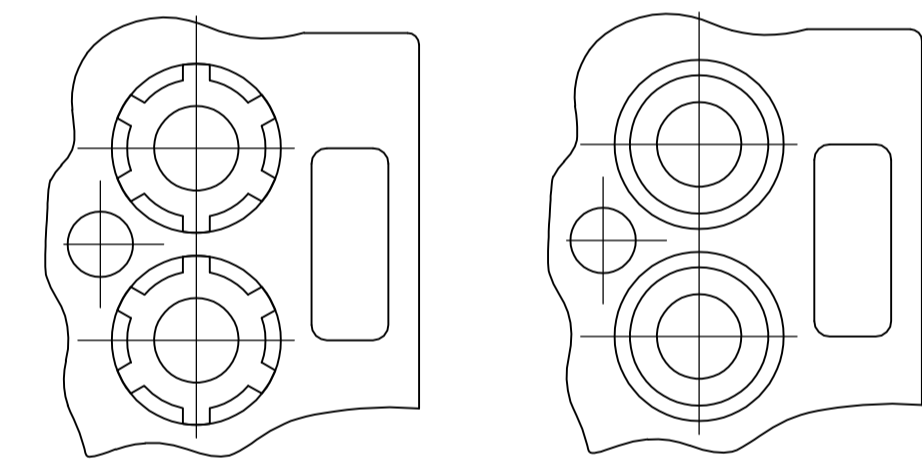
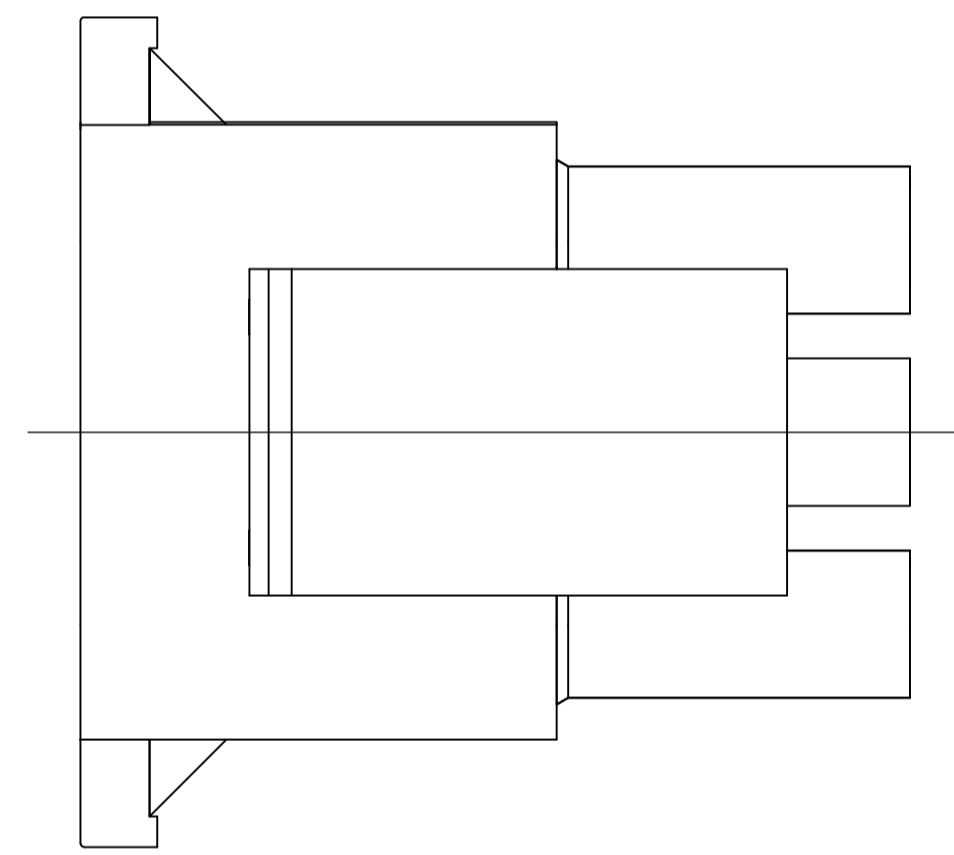


SEE DETAIL A



- 1 MATES WITH APPROPRIATE UNIVERSAL MATE-N-LOK™ CAP OR HEADER.
- 2 SMALL NICKS ARE PERMITTED ON THE CIRCUIT TOWERS WHICH COULD INCREASE THE INITIAL HOUSING MATING FORCE BY UP TO 4.4 NEWTON (1.0 LBS). NO INDIVIDUAL NICKED TOWER SHALL INCREASE THIS FORCE BY OVER 2.2 NEWTONS (.5 LBS).
- 3 UNDERWRITER RECOGNIZED COMPONENT LOGO AND CSA CERTIFICATION LOGO TO BE LOCATED ONCE EACH ON SIDE OF HOUSING.
- 4 FOUR RIBS EQUALLY SPACED, NO SPECIFIC ORIENTATION. NO RIBS OR SIX RIBS EQUALLY SPACED, NO SPECIFIC ORIENTATION, OPTIONAL.
- 5 150° C TEMPERATURE RATING FOR THIS HOUSING IS FOR SHORT TERM DURATION. MAX OPERATING TEMPERATURE REMAINS 125° C.
- 6 PHOSPHOR BRONZE CONTACTS SHOULD ALWAYS BE USED WITH THIS HOUSING.

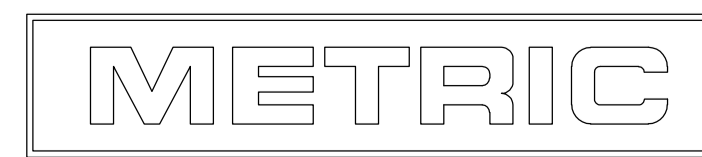


DETAIL A
OPTIONAL CONSTRUCTIONS

27.43	1.080
20.32	.800
11.68	.460
0.38	.015
0.13	.005
MM	IN

CONVERSION TABLE

794537-1
PART NUMBER



THIS DRAWING IS A CONTROLLED DOCUMENT.		DIN K. WHITAKER 18-NOV-1998	Tyco Electronics Corporation Harrisburg, PA 17105-3608
		CHK R. SWING 18-NOV-1998	
DIMENSIONS:		APPROV D. SELF 18-NOV-1998	NAME
mm		PRODUCT SPEC	
TOLERANCES UNLESS OTHERWISE SPECIFIED:		APPLICATION SPEC	
0. PLC	± -	SIZE	
1. PLC	± -	CAGE CODE	
2. PLC	± 0.13	DRAWING NO	
3. PLC	± -	RESTRICTED TO	
4. PLC	± -	WEIGHT	
ANGLES	± 0° 30'	A1 00779 C=794537	
MATERIAL NYLON, UL 94V-2, BLACK	FINISH -	CUSTOMER DRAWING	
		SCALE	SHEET
		4:1	1 OF 1
		REV C1	