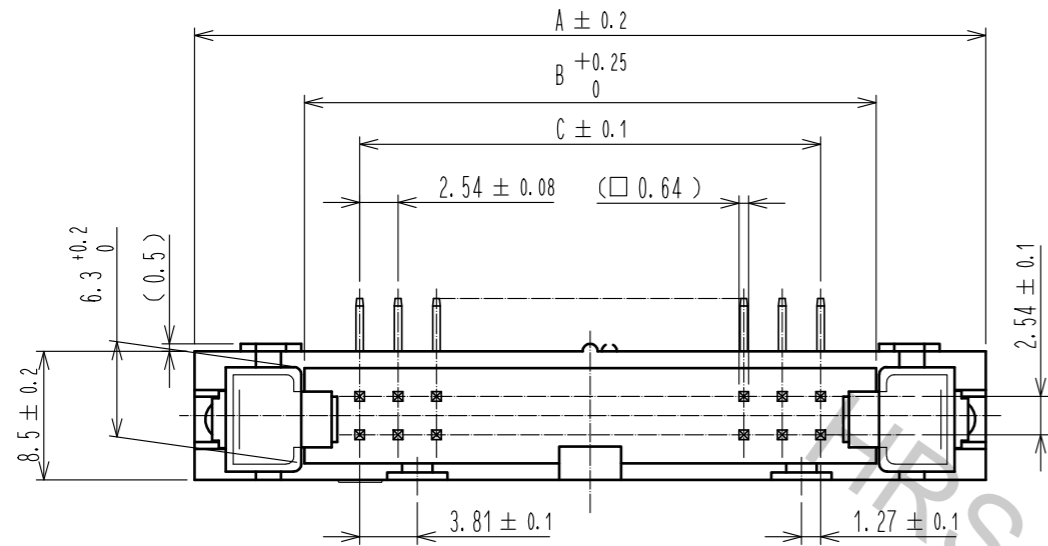
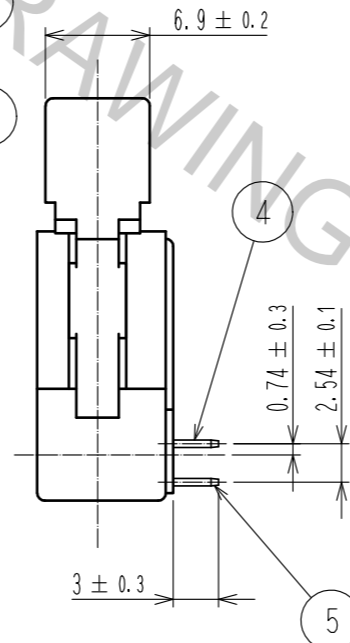
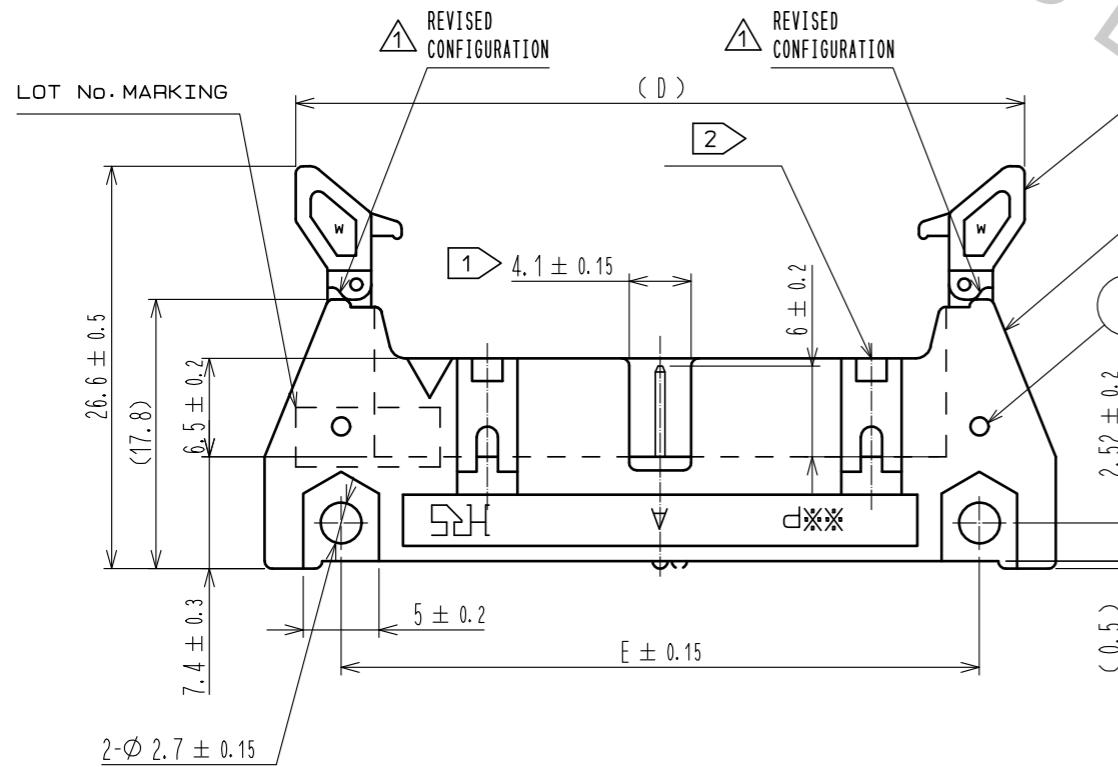
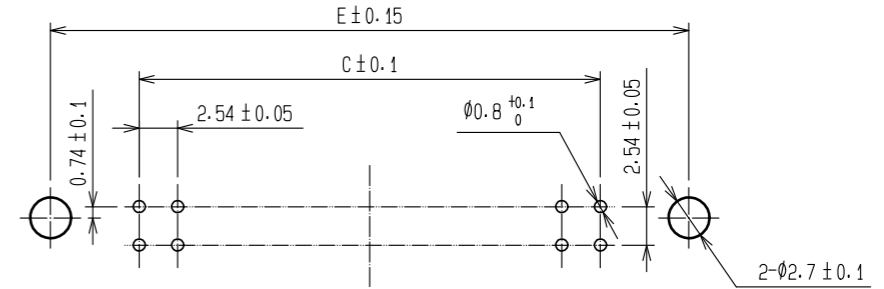


Aug.1.2018 Copyright 2018 HIROSE ELECTRIC CO., LTD. All Rights Reserved.
 In case that the application demands a high level of reliability, such as automotive,
 please contact a company representative for further information.



RECOMENDED PC BOARD HOLE PATTERN
 MATING SIDE



HRS No.	CODE No.	8	A	B	C	D	6	E	F	1	2	POLARIZING SLOT	POLARIZING KEY INSTALL
HIF3MAW-10PA-2.54DS	CL610-3500-6-00	10								NONE		NONE	ONE ON RIGHT SIDE.
HIF3MDW-10PA-2.54DS	CL610-3501-9-00	10	32.0	17.5	10.16	28.14(51.1)		21.8	27.9			NONE	ONE ON RIGHT SIDE.
HIF3MAW-14PA-2.54DS	CL610-3502-1-00	14	37.1	22.6	15.24	33.24(56.2)		26.9	33.0			ONE AT CENTER	ONE ON RIGHT SIDE.
HIF3MAW-16PA-2.54DS	CL610-3503-4-00	16	39.6	25.1	17.78	35.74(58.7)		29.5	35.5			ONE AT CENTER	ONE ON RIGHT SIDE.
HIF3MAW-20PA-2.54DS	CL610-3504-7-00	20	44.7	30.2	22.86	40.84(63.8)		34.5	40.6			ONE AT CENTER	ONE ON RIGHT SIDE.
HIF3MAW-26PA-2.54DS	CL610-3505-0-00	26	52.3	37.8	30.48	48.44(71.4)		42.2	48.3			ONE AT CENTER	ONE ON RIGHT SIDE.
HIF3MAW-30PA-2.54DS	CL610-3506-2-00	30	57.4	42.9	35.56	53.54(76.5)		47.2	53.3			ONE AT CENTER	ONE ON RIGHT SIDE.
HIF3MAW-34PA-2.54DS	CL610-3507-5-00	34	62.5	48.0	40.64	58.64(81.6)		52.3	58.4			ONE AT CENTER	ONE ON RIGHT SIDE.
HIF3MAW-40PA-2.54DS	CL610-3508-8-00	40	70.1	55.6	48.26	66.24(89.2)		59.9	66.0			ONE AT CENTER	ONE ON RIGHT SIDE.
HIF3MAW-50PA-2.54DS	CL610-3509-0-00	50	82.8	68.3	60.96	78.94(101.9)		72.6	78.7			ONE AT CENTER	ONE ON RIGHT SIDE.
HIF3MAW-60PA-2.54DS	CL610-3511-2-00	60	95.5	81.0	73.66	91.64(114.6)		85.3	91.4			ONE AT CENTER	ONE ON RIGHT SIDE.
HIF3MAW-64PA-2.54DS	CL610-3513-8-00	64	100.6	86.1	78.74	96.74(119.7)		90.4	96.5			ONE AT CENTER	ONE ON RIGHT SIDE.
HIF3MBW-64PA-2.54DS	CL610-3514-0-00	64										ONE AT CENTER	ONE ON RIGHT SIDE.

NOTES 1 2 THE NUMBER OF POLARIZING SLOT AND KEY INSTALLED POSITIONS CHANGES ACCORDING TO PRODUCTS. REFER TO THE LISTS AS SHOWN ABOVE.

3 THE SPACER MOVES TO THE RIGHT ACCORDING TO THE NUMBER OF CONTACTS.

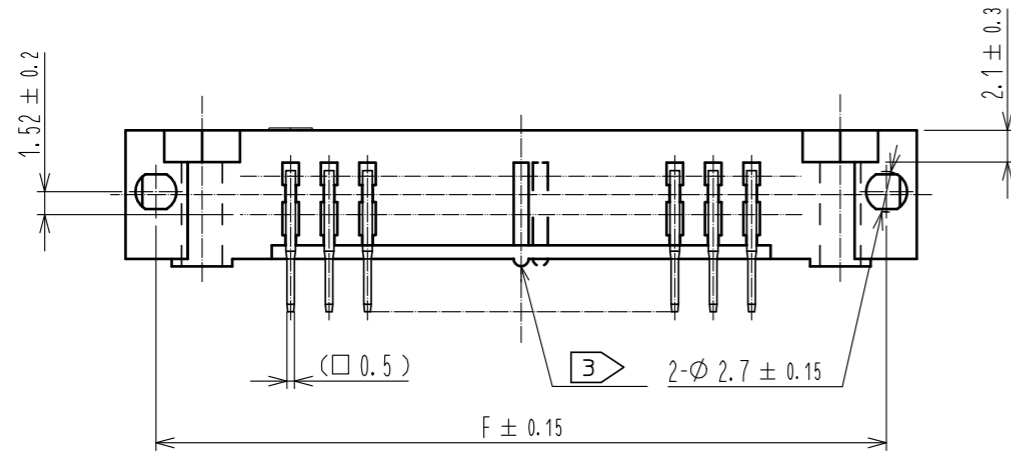
4 THE 10, 50, 60 AND 64 CONTACT CONNECTORS CONTAIN TWO TYPES OF POLARIZING SLOTS. USE PRODUCTS, CONFIRMING 1 2

5 THE DIMENSIONS IN PARENTHESES ARE FOR REFERENCE.

6 THE DIMENSIONS IN PARENTHESES SHOWS WHEN THE LOCK OPEN OUT.

7 ** INDICATES THE NUMBER OF CONTACTS.

8 NUMBER OF CONTACTS.



NO.	MATERIAL	FINISH . REMARKS	NO.	MATERIAL	FINISH . REMARKS
3	STAINLESS		4, 5	BRASS	CONTACT AREA:GOLDO. 15# μm
1, 2	PBT	BLACK UL94V-0			DIP AREA:TIN-PLATING 2# μm
					UNDER PLATING:NICKEL 2.5# μm

UNITS	SCALE	COUNT	DESCRIPTION OF REVISIONS	DESIGNED	CHECKED	DATE
mm	FREE	2	DIS-F-00000161	TY. EDAGAWA	HT. YAMAGUCHI	15. 03. 12

APPROVED	CHECKED	DESIGNED	DRAWN	DRAWING NO.	PART NO.	CODE NO.
HS. OKAWA	HS. OKAWA	TY. EDAGAWA	TY. EDAGAWA	EDC3-361542-01	HIF3M*W-*PA-2.54DS	CL610