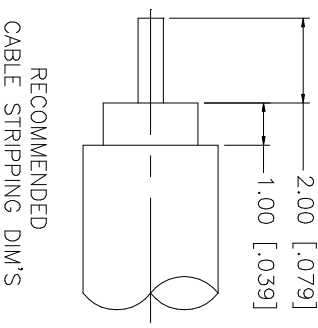
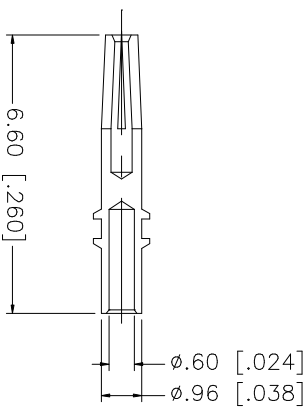
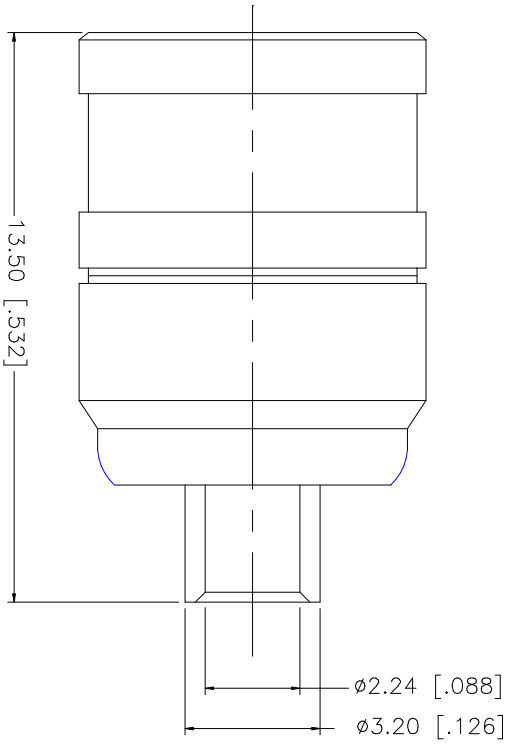


REV.	DATE	DESCRIPTION
NC	06/07/06	INITIAL RELEASE



NO.	DESCRIPTION	MATERIAL	FINISH	QTY	UNLESS OTHERWISE SPECIFIED DIMENSIONS ARE IN MILLIMETERS. DIMENSIONS IN [] ARE IN INCHES AND FOR CUSTOMER REFERENCE ONLY.	APPROVALS	DATE	PART DESCRIPTION	DWG. NO.	REV.	SIZE	SCALE
8					UNLESS OTHERWISE SPECIFIED DIMENSIONS ARE IN MILLIMETERS. DIMENSIONS IN [] ARE IN INCHES AND FOR CUSTOMER REFERENCE ONLY.			Amphenol Connex MINI 75 OHM SMB DIRECT SOLDER PLUG (FOR .085", .086" CABLE)	142212-75	NC	A	NA
7					UNLESS OTHERWISE SPECIFIED TOLERANCES FOR MILLIMETERS ARE:	DRAWN	06/07/06					
6					0.5 - 8mm ± 0.20mm	CHECKED						
5					8 - 30mm ± 0.40mm	ISSUED						
4					30 - 120mm ± 0.50mm	SHEET						
3	CONTACT PIN	BER. COPPER	GOLD	1	UNLESS OTHERWISE SPECIFIED TOLERANCES FOR INCHES ARE:	1 OF 1						
2	INSULATOR	TEFLON	NATURAL	2	.020 - .315 = ± 0.007"							
1	BODY	BRASS	GOLD	1	.315 - 1.180 = ± 0.015"							
					1.180 - 4.724 = ± 0.020"							
					DO NOT SCALE DRAWING							
					CAD FILE							
					C:/142/142212-75.DWG							