

ATLANTIC VERSION TERMINATOR INTERFACE ADAPTER	PART NUMBER	REVISION	DESCRIPTION	FEED TYPE	APPLICATOR STYLE CONVERSION CHART						
					CONVERT TO	PART NUMBERS REQUIRED					
	2151723-2	A	FINE CRIMP HEIGHT ADJUST	PNEUMATIC	-	-	-	-	-	-	
	2151723-5	A	FINE CRIMP HEIGHT ADJUST	SERVO LATCH PLATE <sup>4</sup>	SERVO LATCH PLATE	2119951-1	-	8-2151723-5	1901094-1	2-1752354-6	8-18023-4 (QUANTITY 2)
					SMART APPLICATOR	2161326-1	-	8-2151723-4	-	-	-
	2151723-6	A	NON-CRIMP HEIGHT ADJUST	SERVO LATCH PLATE <sup>4</sup>	PNEUMATIC FEED	2119950-1	1338683-8	5-18022-5	2119641-1	2119799-1	2063440-3
					-	-	-	-	-	-	-
	2151723-7	A	FINE CRIMP HEIGHT ADJUST	NONE	-	-	-	-	-	-	-
	7-2151723-7	A	CRIMP TOOLING KIT	-	-	-	-	-	-	-	-

APPLICATOR DATA		
CRIMP WIRE	SIZE	TYPE
INSUL	3.89 mm [.153]	F
	9.53 mm [.375]	O
APPLICATOR INSTRUCTIONS 408-10389		

TERMINAL DATA: G&H TERMINAL	TE CRIMP SPECIFICATION		
TERMINAL NAME: MAK 8.0x0.8/9.5x1.2 Terminal			
WIRE STRIP LENGTH 7.40-7.70 mm [.291-.303 IN]	INSULATION DIAMETER RANGE $\varnothing$ 4.00-4.40 mm [.157-.173 IN]		
TERMINAL APPLICATION SPECIFICATION	NONE		
TERMINALS APPLIED <sup>1</sup> <sub>0</sub> <sup>3</sup>			
TE TERMINAL	G&H TERMINAL	TE SEAL	VW SEAL
1572996-1	28469.306.189	2113288-1	0211626A

WIRE SIZE	CRIMP HEIGHT mm [INCH]	CRIMP HEIGHT REFERENCE SETTING
4.00mm <sup>2</sup>	2.50+/-0.05 [.098+/- .002]	6.8

- <sup>1</sup> RECOMMENDED SPARE PARTS
- <sup>2</sup> GREASE BEARING SURFACES LIGHTLY
- 3. LUBRICATE DAILY PER THE APPLICATOR INSTRUCTION SHEET SUPPLIED WITH THE APPLICATOR.
- <sup>4</sup> APPLICATOR SPECIFIC DATA TO BE ENTERED INTO BLANK MEMORY CHIP AT ASSEMBLY. SEE BELOW FOR PART NUMBER:  
 PNEUMATIC FEED WITH "SMART APPLICATOR" CONVERSION: 8-2151723-4  
 SERVO FEED WITH "FINE CRIMP HEIGHT ADJUST": 8-2151723-5  
 SERVO FEED WITH "NON-CRIMP HEIGHT ADJUST": 8-2151723-6
- 5. ADJUSTMENT OF THE STRIPPER MAY BE REQUIRED WHEN MOVING THE APPLICATOR BETWEEN BENCH AND LEADMAKER APPLICATIONS.
- <sup>6</sup> APPLY PART NUMBER 1-23419-5 LOCTITE TO THREADS OF ITEMS 62, 180 & 242. FOR -6 ONLY APPLY PART NUMBER 1-23419-5 LOCTITE TO THREADS OF ITEMS 37, 180 & 242.
- <sup>7</sup> GREASE THREADS, GROOVE AND O-RING ON ITEMS 35 & 252.
- <sup>8</sup> MAGNET, ITEM 166 MUST BE ORIENTED CORRECTLY IN ORDER TO PROPERLY ACTUATE THE COUNTER.
- <sup>9</sup> CRIMP HEIGHT REFERENCE SETTING WAS THE SETTING USED WHEN THE APPLICATOR WAS QUALIFIED AT THE FACTORY. ADJUSTMENT MAY BE NECESSARY WHEN RUNNING APPLICATOR IN THE FIELD.
- <sup>10</sup> TERMINAL PITCH NOT COMPATIBLE WITH MECHANICAL FEED.
- <sup>11</sup> TO CONVERT THE APPLICATOR TO A NON-CARRIER CUTTING STYLE, REMOVE ITEM 13 AND ATTACH TO THE LOCATION ON THE BACK SIDE OF THE HOUSING. REFER TO INSTRUCTION SHEET FOR ADDITIONAL INFORMATION.
- <sup>12</sup> WHEN ASSEMBLING A NON CRIMP HEIGHT ADJUST APPLICATOR (-6) USE SHIMS FROM ITEM 260 TO ACHIEVE A NOMINAL SHIM HEIGHT OF 3.30.
- <sup>13</sup> THIS APPLICATOR APPLIES TERMINAL WITH A SEAL.
- <sup>14</sup> APPLY TORQ-SEAL IN ALLEN SOCKET TO FILL HOLE AFTER FLAT HD HAS BEEN ADJUSTED TO CORRECT HEIGHT AT QUALIFICATION. APPLY #1-23419-5 LOC-TITE TO THREADS.
- <sup>15</sup> CUT TO LENGTH AT ASSEMBLY.

**\*WARNING**  
 ON INSTALLATION, SET WIRE DISC, ITEM 40 TO LARGEST WIRE SIZE SETTING. USE OF SETTINGS BELOW MINIMUM REQUIRED CRIMP HEIGHT SETTING WILL CAUSE DAMAGE TO CRIMP TOOLING.

<sup>13</sup>	-	2	2	2	2	2168083-1	SCR, SKT HD CAP, RoHS, M3 X 8.0	269
	-	1	1	1	1	1633782-3	FENCE	267
	-	-	-	-	-	2119957-2	APPLICATOR SHIM PACK	260
	-	1	-	1	1	8-21084-0	O-RING, .676 ID, .070 DIA. MAT.	252
	-	-	-	-	1	2119640-1	PUSH ROD, AIR FEED	250
	-	-	-	-	1	2079988-1	BUSHING, LCH5-12, MISUMI	249
	-	-	-	-	1	2119641-1	FEED CAM, AIR FEED	248
	-	1	-	1	1	2119798-1	DETENT PIN	247
	-	1	-	1	1	1-22279-3	SPRING, COMPRESSION	246
	-	-	1	-	-	2161314-1	RAM, STEPPED, ATLANTIC, SF, NON-ADJ	245
	-	1	1	1	1	2119082-9	CAM, SNAIL, INSULATION ADJUSTMENT	244
	-	1	1	1	1	2079764-1	WASHER, WAVE SPRING, CREST-TO-CREST	243
	-77	-7	-6	-5	-2	PART NO	DESCRIPTION	ITEM NO

**ATLANTIC VERSION**  
 Shown on sheets 1 of 4 & 2 of 4  
 (Pacific version shown on sheets 3 of 4 & 4 of 4)

SET UP GAUGE	LOC	DIST	REVISIONS					
2119599-1	A	66	P	LTN	DESCRIPTION	DATE	OWN	APVD
			A		RELEASED	07MAY2013	LG	TE

<sup>6</sup>	-	1	1	1	1	2119083-1	RETAINER, INSULATION DIAL	242
	-	1	1	1	1	7-18023-7	SCR, SKT HD CAP M3 X 4.0	241
	-	-	2	2	-	8-18023-4	SCR, SKT HD CAP M5 X 35.0	240
	-	-	-	-	1	2063440-3	AIR FEED MODULE	238
	-	-	1	1	-	2119740-2	TAG, IDENTIFICATION	213
	-	-	1	1	-	1901094-1	SPACER, FEEDER	198
<sup>6</sup>	-	1	1	1	1	2-1752354-6	STANDOFF, HOLD-DOWN	180
	-	1	1	1	1	6-993111-6	PIN, SLOTTED SPRING 3.0 X 14.0	177
	-	1	1	1	1	8-22280-7	SPRING, COMPRESSION	176
	-	1	1	1	1	1752353-2	GUIDE PIN, HOLDDOWN	175
	-	1	1	1	1	1901680-2	GUIDE PIN, HOLDDOWN	174
	-	-	-	-	2	21045-3	RING, RETAIN, EXTERN, 3/16 CRESCENT	172
	-	1	1	1	1	994969-1	MAGNET, RARE EARTH HIGH ENERGY	166
	-	REF	REF	REF	REF	994970-2	COUNTER, MAGNETIC	164
	-	-	-	-	1	240638-1	SPRING, FEED FINGER	163
	-	-	-	-	1	3-23627-7	PIN, RETAIN, GRVD, 3/16 X .854	137
	-	-	-	-	1	2119799-1	HOLDER, FEED FINGER, AF	136
	-	-	REF	REF	-	SEE NOTE 4	MEMORY CHIP, PROGRAMMED	135
	-	-	1	1	-	1633743-1	SERVO FEED LATCH ASM	133
	-	-	REF	REF	-	2119944-1	FEED FINGER ASSEMBLY, SF	117
	-	1	1	1	1	2-690438-2	FRONT STRIP GUIDE	96
	-	1	1	1	1	318563-1	GUARD, FRONT CHIP	89
	-	1	1	1	1	455888-4	SPACER, CRIMPER	82
	-	2	2	2	2	18024-6	SCR, BTN SKT HD CAP (M4 X 8.0)	79
	-	1	1	1	1	1803096-1	EXTENSION PLATE	78
	-	1	1	1	1	2119956-1	DOCUMENTATION PACKAGE	71
	-	1	1	1	1	2119791-9	DEPRESSOR, WIRE	70
	-	1	1	1	1	2119943-1	WASHER, SPACER	69
	-	1	-	-	1	2119740-1	TAG, IDENTIFICATION	67
	-	2	2	2	2	2168078-1	SCREW, DRIVE, RH, RoHS	66
	-	1	-	1	1	2119793-1	LIMITER, ADJUSTMENT BOLT	63
<sup>6</sup>	-	3	-	3	3	992763-5	SCR, SET, SOC, CONE POINT, M3 X 4.0	62
	-	1	1	1	1	2079383-4	SCR, BHSC, RoHS (M4 X 8)	60
	-	-	-	-	1	5-18022-5	SCR, HEX HD CAP, M4 X 6.0	59
<sup>4</sup>	-	1	1	1	1	985575-5	SCR, FLT SKT HD CAP M3 X 16.0	57
	-	-	-	-	1	1338683-8	FEED PAWL	56
	-	4	4	4	4	2168400-1	SHCS, LOW HEAD, RoHS, M4 X 12	54
	-	1	1	1	1	1-5018030-0	NUT, HEX, REG, RoHS, M3.5	52
	-	1	1	1	1	1901681-2	HOLDDOWN, TERMINAL	51
	-	-	-	-	1	18023-9	SCR, SKT HD CAP M4 X 6.0	49
	-	1	1	1	1	1-2119656-7	APPLICATOR BASIC ASSEMBLY, SF	46
	-	1	-	1	1	2161311-1	RAM, STEPPED, AMP STYLE, SIDE FEED	44
	-	1	1	1	1	1-2079383-5	SCR, BHSC, RoHS (M8 X 40)	41
	-	1	-	1	1	2119645-1	DISC, NUMBERED FA WIRE ADJUSTMENT	40
	-	1	-	1	1	2119957-1	APPLICATOR SHIM PACK	39
	-	1	1	1	1	1-2119644-3	RAM WASHER, PRECISION	38
<sup>6</sup>	-	1	1	1	1	2119085-1	FA HEAD, ATLANTIC STYLE	37
	-	1	-	1	1	2119092-1	BOLT, ADJUSTMENT	35
	-	1	1	1	1	1-1752356-1	SUPPORT, TERMINAL	34
	-	2	2	2	2	1-2079383-3	SCR, BHSC, RoHS (M4 X 25)	33
	-	1	1	1	1	2161328-1	HEX HEAD, FLANGED, M5 X 8mm LONG	32
	-	1	1	1	1	1-1320908-8	SPACER, STRIP GUIDE	30
	-	1	1	1	1	2119959-5	ASSEMBLY, STRIP GUIDE	29
	-	1	1	1	1	455888-3	SPACER, CRIMPER	28
	-	2	2	2	2	22281-8	SPRING, COMPRESSION	27
	-	1	1	1	1	240792-1	DRAG, TERMINAL	25
	-	1	1	1	1	1320928-8	STRIP GUIDE	24
	-	1	1	1	1	2168083-2	SCR, SKT HD CAP, RoHS, M4 X 8.0	21
	-	1	1	1	1	1-18028-2	WASHER, FLAT, REG M4	20
	-	1	1	1	1	1803013-1	STRIPPER, SIDE FEED	19
<sup>1</sup>	-	1	1	1	1	2119806-1	INSERT, SHEAR	13
	-	1	1	1	1	3-22280-3	SPRING, COMPRESSION	12
	-	1	1	1	1	1-356885-3	STOP, SHEAR	11
<sup>1</sup>	-	1	1	1	1	1-2119805-0	SHEAR HOLDER, FRONT	10
<sup>1</sup>	-	1	1	1	1	1-318059-0	FLOATING SHEAR, FRONT	9
<sup>1</sup>	1	1	1	1	1	1633930-9	ANVIL, COMBINATION	8
	-	-	-	-	-	-	-	7
	-	-	-	-	-	-	-	6
	-	1	1	1	1	1803080-1	DEPRESSOR, SHEAR	5
	-	1	1	1	1	2-238011-7	BLOCK, CRIMPER SPACER	4
<sup>1</sup>	1	1	1	1	1	2-1633996-9	CRIMPER, INSULATION SPECIAL	3
	-	1	1	1	1	2-455888-5	SPACER, CRIMPER	2
<sup>1</sup>	1	1	1	1	1	7-1633609-2	CRIMPER, WIRE	1
	-77	-7	-6	-5	-2	PART NO	DESCRIPTION	ITEM NO

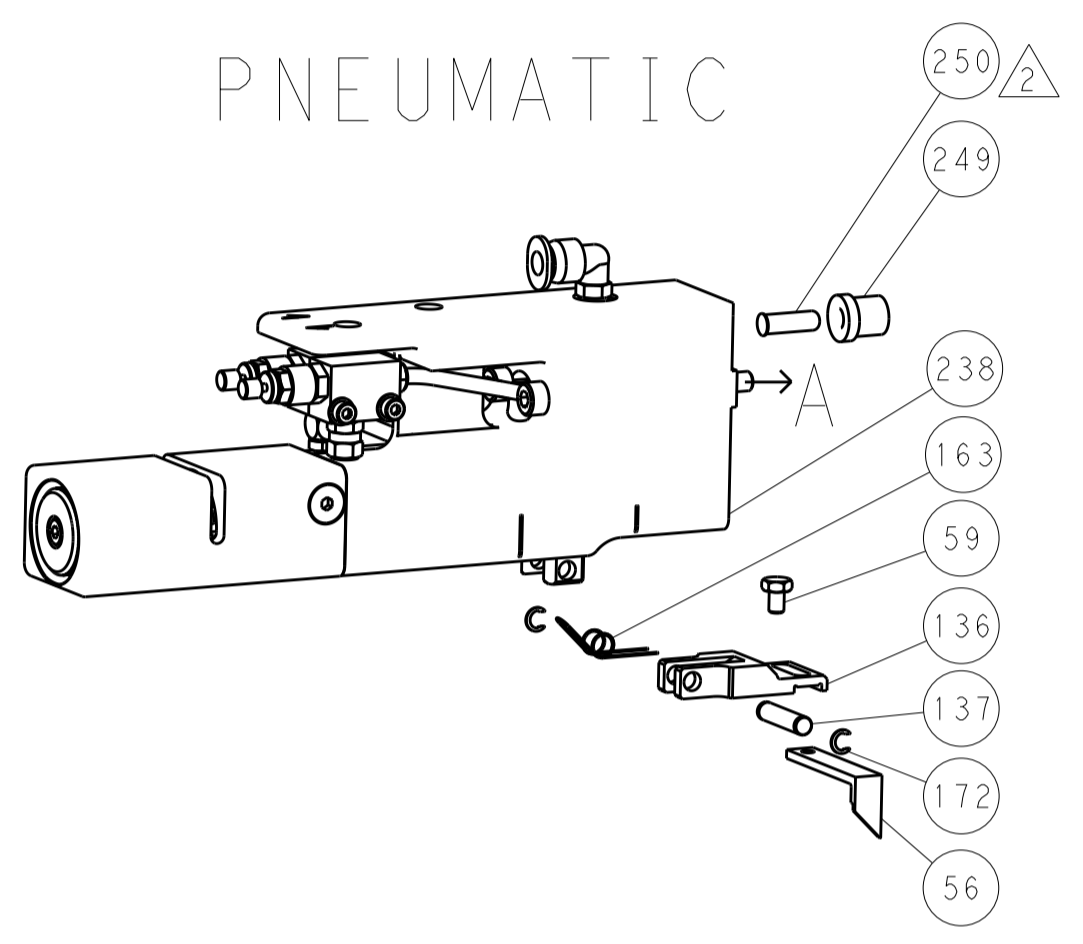
DIMENSIONS:		TOLERANCES UNLESS OTHERWISE SPECIFIED:		OWN	CHK	APVD	DATE	NAME
mm	0 PLC ±.1	1 PLC ±0.1	2 PLC ±0.02	01JAN2012				TE Connectivity
	3 PLC ±0.005	4 PLC ±0.0005	ANGLES ±.1	01JAN2012				Harrisburg, PA 17105-3608
MATERIAL	FINISH	WEIGHT	SCALE	PRODUCT SPEC	APPLICATION SPEC	SIZE	CAGE CODE	DRAWING NO
			1:1			A1	00779	©=2151723
Customer Accessible Production Drawing				RESTRICTED TO		SHEET 1 of 4 REV A		

LOC		DIST		REVISIONS			
A	66	P	LTM	DESCRIPTION	DATE	DWN	APVD
-	-	-	-	SEE SHEET 1	-	-	-

DIMENSIONING AND TOLERANCING PER ASME Y14.5M-2003

### FEED TYPE

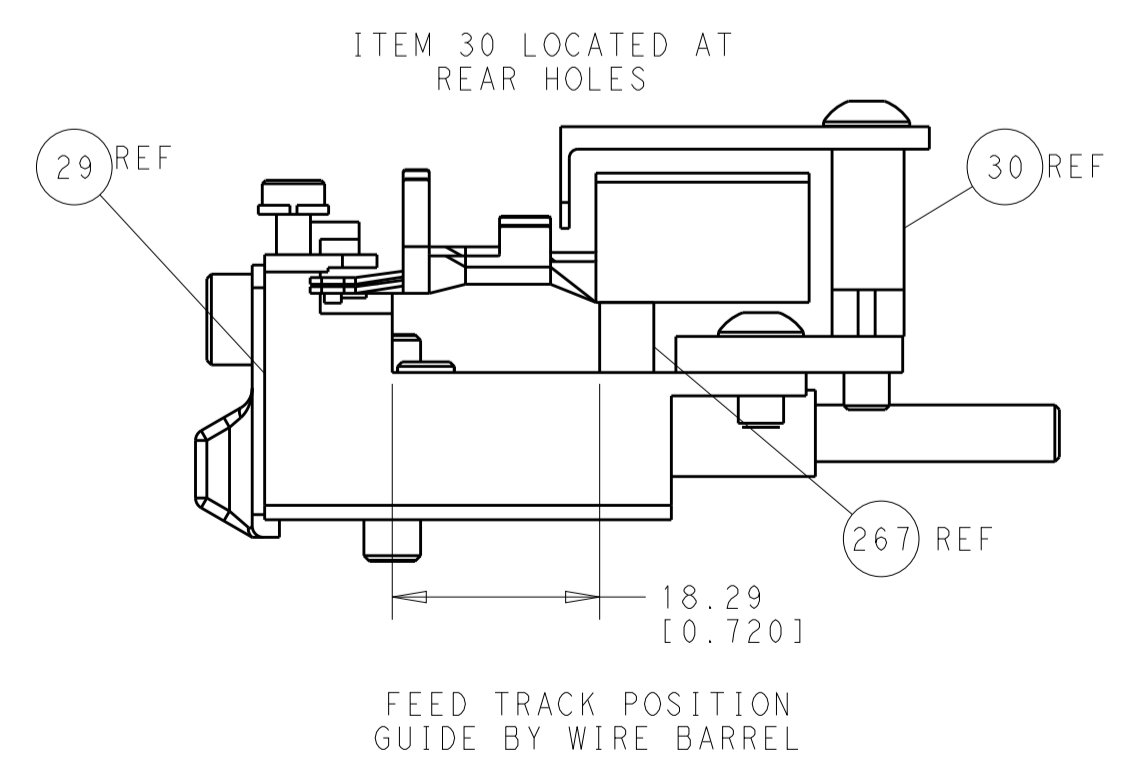
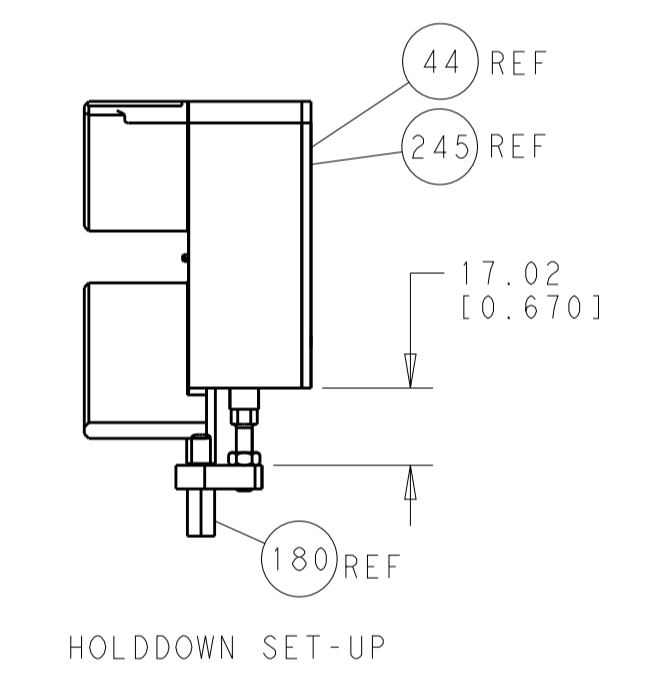
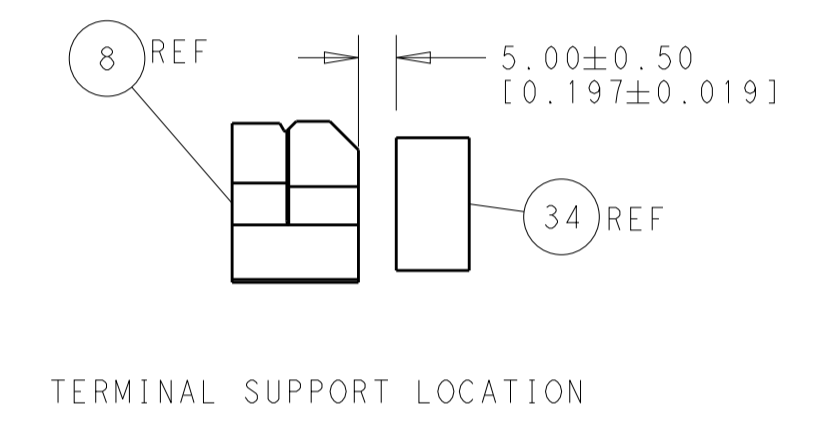
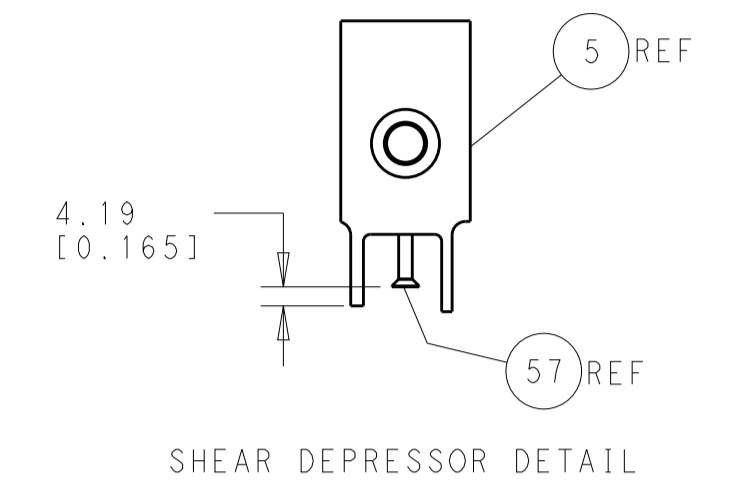
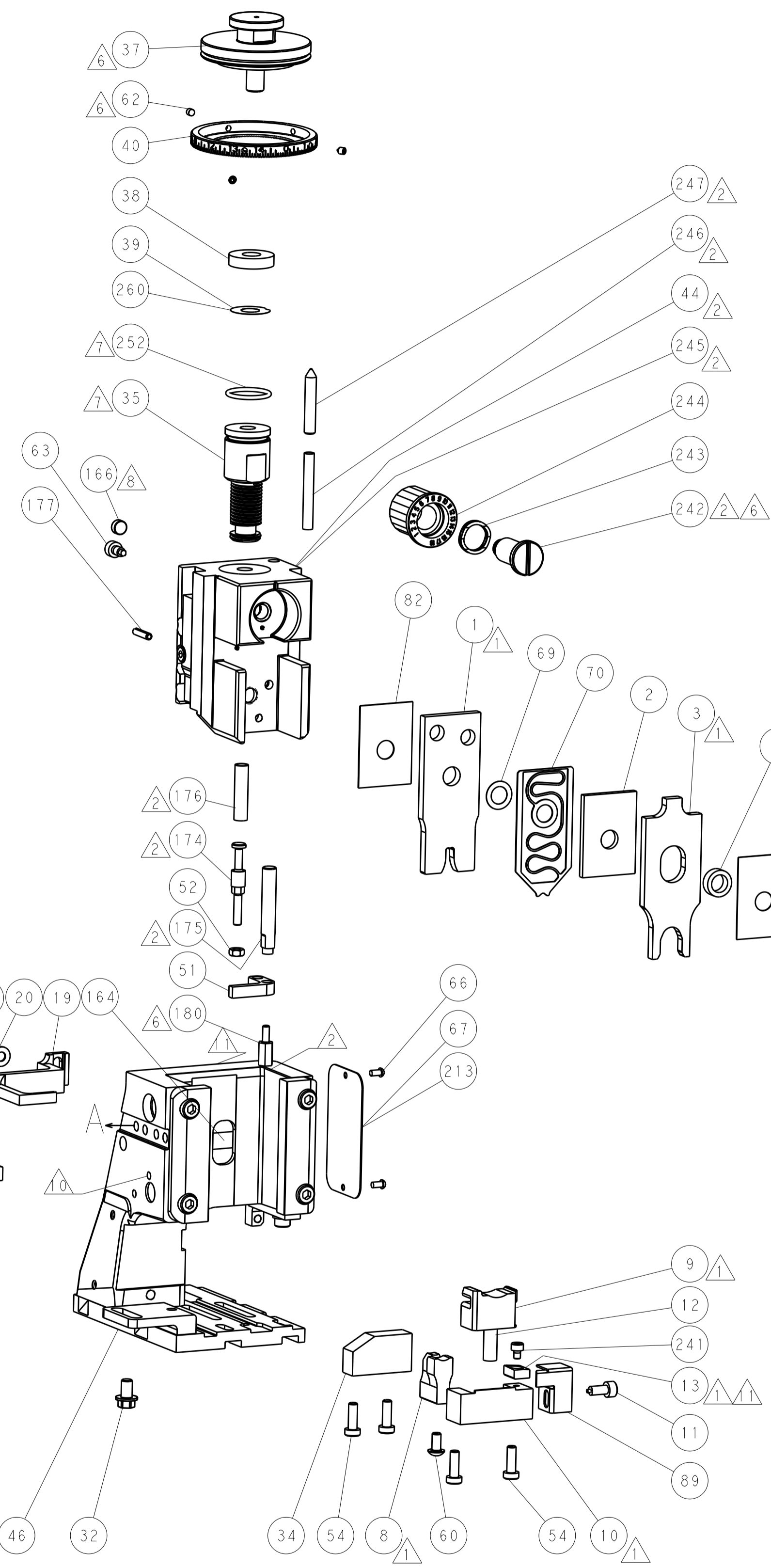
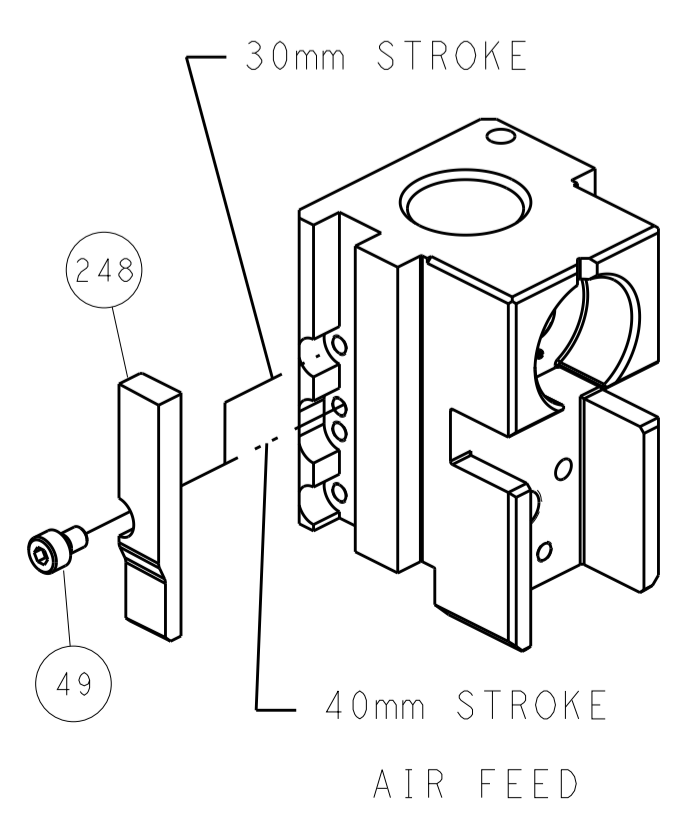
### PNEUMATIC



### SERVO LATCH PLATE



### CAM POSITION



**ATLANTIC VERSION**  
 Shown on sheets 1 of 4 & 2 of 4  
 (Pacific version shown on sheets 3 of 4 & 4 of 4)

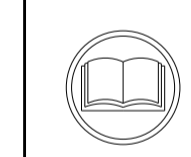
DIMENSIONS:		TOLERANCES UNLESS OTHERWISE SPECIFIED:		DWN	01JAN2012	TE Connectivity Harrisburg, PA 17105-3608
mm	0 PLC ±0.1	1 PLC ±0.1	2 PLC ±0.02	CHK	01JAN2012	
	3 PLC ±0.005	4 PLC ±0.0005	ANGLES ±0.0005	APVD	01JAN2012	NAME
MATERIAL	FINISH	PRODUCT SPEC		Ocean Side Feed		RESTRICTED TO
		APPLICATION SPEC		Applicator		
		WEIGHT	SIZE	CAGE CODE	DRAWING NO	
			A1	00779	2151723	
Customer Accessible Production Drawing				SCALE	1:1	SHEET 2 OF 4 REV A

PACIFIC VERSION TERMINATOR INTERFACE ADAPTER	PART NUMBER	REVISION	DESCRIPTION	FEED TYPE
	2-2151723-2	A	FINE CRIMP HEIGHT ADJUST	PNEUMATIC
	2-2151723-5	A	FINE CRIMP HEIGHT ADJUST	SERVO LATCH PLATE <sup>4</sup>
	2-2151723-7	A	FINE CRIMP HEIGHT ADJUST	NONE
	7-2151723-7	A	CRIMP TOOLING KIT	-

APPLICATOR DATA		
CRIMP	SIZE	TYPE
WIRE	3.89 mm [1.53]	F
INSUL	9.53 mm [3.75]	O
APPLICATOR INSTRUCTIONS 408-10389		

TERMINAL DATA: G&H TERMINAL		TE CRIMP SPECIFICATION	
TERMINAL NAME: MAK 8.0x0.8/9.5x1.2 Terminal			
WIRE STRIP LENGTH		INSULATION DIAMETER RANGE	
7.40-7.70 mm [1.291-.303 IN]		Ø4.00-4.40 mm [1.57-.173 IN]	
TERMINAL APPLICATION SPECIFICATION	NONE		
TERMINALS APPLIED <sup>10</sup> <sup>11</sup>			
TE TERMINAL	G&H TERMINAL	TE SEAL	G&H SEAL
1572996-1	28469.306.189	2113288-1	0211626A

WIRE SIZE	CRIMP HEIGHT mm [INCH]	CRIMP HEIGHT REFERENCE SETTING
4.00mm2	2.50+/-0.05 [1.098+/-0.02]	6.8



- <sup>1</sup> RECOMMENDED SPARE PARTS
- <sup>2</sup> GREASE BEARING SURFACES LIGHTLY
- 3. LUBRICATE DAILY PER THE APPLICATOR INSTRUCTION SHEET SUPPLIED WITH THE APPLICATOR.
- <sup>4</sup> APPLICATOR SPECIFIC DATA TO BE ENTERED INTO BLANK MEMORY CHIP AT ASSEMBLY. SEE BELOW FOR PART NUMBER:  
PNEUMATIC FEED WITH "SMART APPLICATOR" CONVERSION: 8-2151723-4  
SERVO FEED WITH "FINE CRIMP HEIGHT ADJUST": 8-2151723-5
- 5. ADJUSTMENT OF THE STRIPPER MAY BE REQUIRED WHEN MOVING THE APPLICATOR BETWEEN BENCH AND LEADMAKER APPLICATIONS.
- <sup>6</sup> APPLY PART NUMBER 1-23419-5 LOCTITE TO THREADS OF ITEMS 62, 180 & 242.
- <sup>7</sup> GREASE THREADS, GROOVE AND O-RING ON ITEMS 139 & 152.
- <sup>8</sup> MAGNET MUST BE ORIENTED CORRECTLY IN ORDER TO PROPERLY ACTUATE THE COUNTER.
- <sup>9</sup> CRIMP HEIGHT REFERENCE SETTING WAS THE SETTING USED WHEN THE APPLICATOR WAS QUALIFIED AT THE FACTORY. ADJUSTMENT MAY BE NECESSARY WHEN RUNNING APPLICATOR IN THE FIELD.
- <sup>10</sup> TERMINAL PITCH NOT COMPATIBLE WITH MECHANICAL FEED.
- <sup>11</sup> TO CONVERT THE APPLICATOR TO A NON-CARRIER CUTTING STYLE, REMOVE ITEM 13 AND ATTACH TO THE LOCATION ON BACK SIDE OF THE HOUSING. REFER TO INSTRUCTION SHEET FOR ADDITIONAL INFORMATION.
- <sup>12</sup> THIS APPLICATOR APPLIES TERMINAL WITH A SEAL.
- <sup>13</sup> APPLY TORQ-SEAL IN ALLEN SOCKET TO FILL HOLE AFTER FLAT HD HAS BEEN ADJUSTED TO CORRECT HEIGHT AT QUALIFICATION. APPLY #1-23419-5 LOC-TITE TO THREADS.
- <sup>14</sup> CUT TO LENGTH AT ASSEMBLY.

APPLICATOR STYLE CONVERSION CHART										
CONVERT TO	PART NUMBERS REQUIRED									
SERVO LATCH PLATE	2119951-1	-	8-2151723-5	1901094-1	2-1752354-6	8-18023-4 (QUANTITY 2)	-	-	-	-
SMART APPLICATOR	2161326-1	-	8-2151723-4	-	-	-	-	-	-	-
PNEUMATIC FEED	2119950-1	1338683-8	5-18022-5	2119641-2	2119799-1	2063440-3	-	-	-	-

**\*WARNING**  
ON INSTALLATION, SET WIRE DISC, ITEM 40 TO LARGEST WIRE SIZE SETTING. USE OF SETTINGS BELOW MINIMUM REQUIRED CRIMP HEIGHT SETTING WILL CAUSE DAMAGE TO CRIMP TOOLING.

QTY	QTY	QTY	QTY	PART NO	DESCRIPTION	ITEM NO
-	2	2	2	2168083-1	SCR, SKT HD CAP, RoHS, M3 X 8.0	269
-	1	1	1	1633782-3	FENCE	267
-	1	1	1	2119782-1	FINE ADJUST HEAD ASM, PACIFIC STYLE	251
-	-	-	1	2119640-1	PUSH ROD, AIR FEED	250
-	-	-	1	2079988-1	BUSHING, LCH5-12, MISUMI	249
-	1	1	1	1-22279-3	SPRING, COMPRESSION	246
-	1	1	1	2119082-9	CAM, SNAIL, INSULATION ADJUSTMENT	244
-	1	1	1	2079764-1	WASHER, WAVE SPRING, CREST-TO-CREST	243
-	1	1	1	2119083-1	RETAINER, INSULATION DIAL	242
-	1	1	1	7-18023-7	SCR, SKT HD CAP M3 X 4.0	241
-77	-27	-25	-22	PART NO	DESCRIPTION	ITEM NO

**PACIFIC VERSION**  
Shown on sheets 3 of 4 & 4 of 4  
(Atlantic version shown on sheets 1 of 4 & 2 of 4)

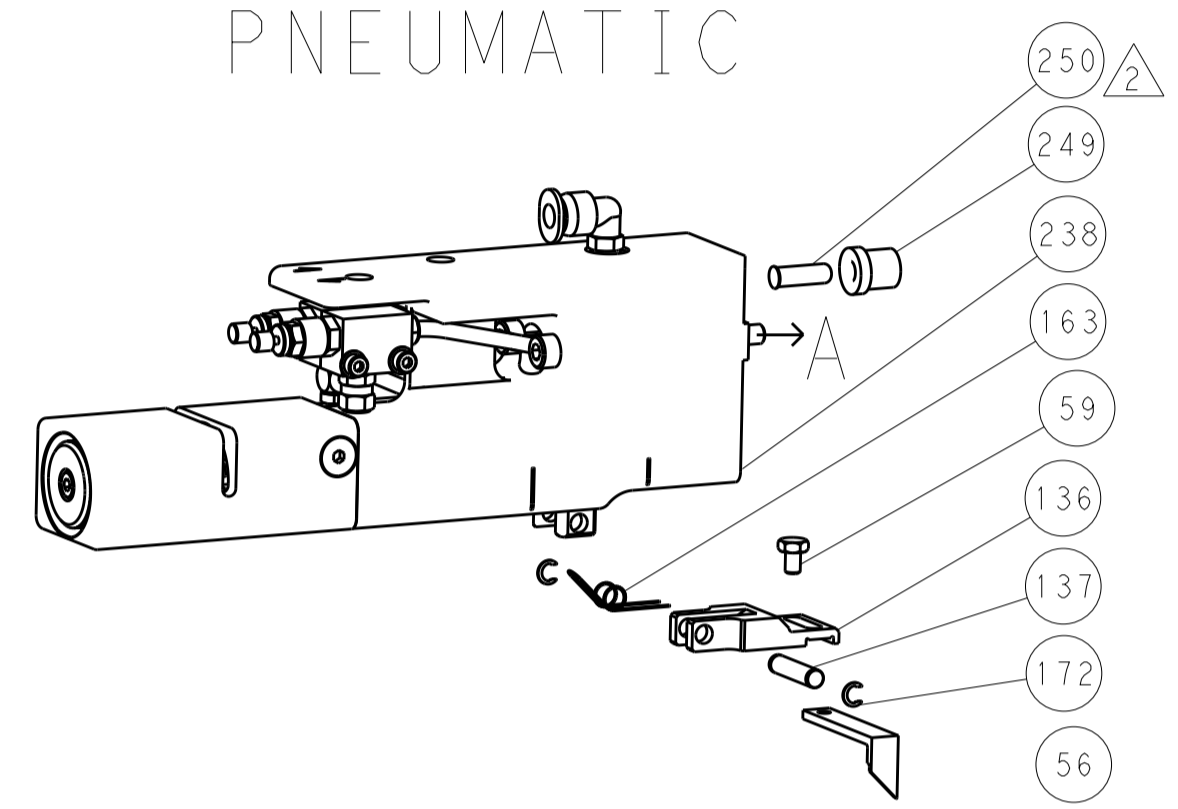
SET UP GAUGE	LOC	DIST	REVISIONS			
2119599-1	A	66	REV	DATE	BY	APPV
			-	SEE SHEET 1	-	-

-	-	2	-	8-18023-4	SCR, SKT HD CAP M5 X 35.0	240
-	-	-	1	2063440-3	AIR FEED MODULE	238
-	-	-	1	2119740-2	TAG, IDENTIFICATION	213
-	-	-	1	1901094-1	SPACER, FEEDER	198
-	1	1	1	2-1752354-6	STANDOFF, HOLD-DOWN	180
-	1	1	1	6-993111-6	PIN, SLOTTED SPRING 3.0 X 14.0	177
-	1	1	1	8-22280-7	SPRING, COMPRESSION	176
-	1	1	1	1752353-2	GUIDE PIN, HOLDDOWN	175
-	1	1	1	1901680-2	GUIDE PIN, HOLDDOWN	174
-	-	-	2	21045-3	RING, RETAIN, EXTERN, 3/16 CRESCENT	172
-	1	1	1	994969-1	MAGNET, RARE EARTH HIGH ENERGY	166
-	REF	REF	REF	994970-2	COUNTER, MAGNETIC	164
-	-	-	1	240638-1	SPRING, FEED FINGER	163
-	1	1	1	8-21084-1	O-RING, .801 ID, .070 DIA. MAT.	152
-	-	-	1	2119641-2	FEED CAM, AIR FEED	151
-	1	1	1	2119798-2	DETENT PIN	145
-	1	1	1	2079383-8	SCR, BHSC, RoHS (M4 X 16)	144
-	4	4	4	2168400-5	SHCS, LOW HEAD, RoHS, M4 X 20	143
-	1	1	1	1-2119656-8	APPLICATOR BASIC ASSEMBLY, SF	141
-	1	1	1	2161312-1	RAM, STEPPED, ASIAN STYLE, SIDE FEED	140
-	1	1	1	2119092-2	BOLT, ADJUSTMENT	139
-	-	-	1	3-23627-7	PIN, RETAIN, GRVD, 3/16 X .854	137
-	-	-	1	2119799-1	HOLDER, FEED FINGER, AF	136
-	-	REF	-	SEE NOTE 4	MEMORY CHIP, PROGRAMMED	135
-	-	-	1	1633743-1	SERVO FEED LATCH ASM	133
-	-	REF	-	2119944-1	FEED FINGER ASSEMBLY, SF	117
-	1	1	1	2-690438-2	FRONT STRIP GUIDE	96
-	1	1	1	318563-1	GUARD, FRONT CHIP	89
-	1	1	1	455888-4	SPACER, CRIMPER	82
-	2	2	2	18024-6	SCR, BTN SKT HD CAP (M4 X 8.0)	79
-	1	1	1	1803096-1	EXTENSION PLATE	78
-	1	1	1	2119956-1	DOCUMENTATION PACKAGE	71
-	1	1	1	2119791-9	DEPRESSOR, WIRE	70
-	1	1	1	2119943-1	WASHER, SPACER	69
-	1	-	1	2119740-1	TAG, IDENTIFICATION	67
-	2	2	2	2168078-1	SCREW, DRIVE, RH, RoHS	66
-	1	1	1	2119793-1	LIMITER, ADJUSTMENT BOLT	63
-	3	3	3	992763-5	SCR, SET, SOC, CONE POINT, M3 X 4.0	62
-	-	-	1	5-18022-5	SCR, HEX HD CAP, M4 X 6.0	59
-	1	1	1	985575-5	SCR, FLT SKT HD CAP M3 X 16.0	57
-	-	-	1	1338683-8	FEED PAWL	56
-	1	1	1	1-5018030-0	NUT, HEX, REG, RoHS, M3.5	52
-	1	1	1	1901681-2	HOLDDOWN, TERMINAL	51
-	-	-	1	18023-9	SCR, SKT HD CAP M4 X 6.0	49
-	1	1	1	1-2079383-5	SCR, BHSC, RoHS (M8 X 40)	41
-	1	1	1	2119645-1	DISC, NUMBERED FA WIRE ADJUSTMENT	40
-	1	1	1	2119957-1	APPLICATOR SHIM PACK	39
-	1	1	1	1-2119644-3	RAM WASHER, PRECISION	38
-	1	1	1	1-1752356-1	SUPPORT, TERMINAL	34
-	2	2	2	1-2079383-3	SCR, BHSC, RoHS (M4 X 25)	33
-	1	1	1	2161328-1	HEX HEAD, FLANGED, M5 X 8mm LONG	32
-	1	1	1	1-1320908-8	SPACER, STRIP GUIDE	30
-	1	1	1	2119959-5	ASSEMBLY, STRIP GUIDE	29
-	1	1	1	455888-3	SPACER, CRIMPER	28
-	2	2	2	22281-8	SPRING, COMPRESSION	27
-	1	1	1	240792-1	DRAG, TERMINAL	25
-	1	1	1	1320928-8	STRIP GUIDE	24
-	1	1	1	2168083-2	SCR, SKT HD CAP, RoHS, M4 X 8.0	21
-	1	1	1	1-18028-2	WASHER, FLAT, REG M4	20
-	1	1	1	1803013-1	STRIPPER, SIDE FEED	19
-	1	1	1	2119806-1	INSERT, SHEAR	13
-	1	1	1	3-22280-3	SPRING, COMPRESSION	12
-	1	1	1	1-356885-3	STOP, SHEAR	11
-	1	1	1	1-2119805-0	SHEAR HOLDER, FRONT	10
-	1	1	1	1-318059-0	FLOATING SHEAR, FRONT	9
-	1	1	1	1633930-9	ANVIL, COMBINATION	8
-	-	-	-	-	-	7
-	-	-	-	-	-	6
-	1	1	1	1803080-1	DEPRESSOR, SHEAR	5
-	1	1	1	2-238011-7	BLOCK, CRIMPER SPACER	4
-	1	1	1	2-1633996-9	CRIMPER, INSULATION SPECIAL	3
-	1	1	1	2-455888-5	SPACER, CRIMPER	2
-	1	1	1	7-1633609-2	CRIMPER, WIRE	1
-77	-27	-25	-22	PART NO	DESCRIPTION	ITEM NO

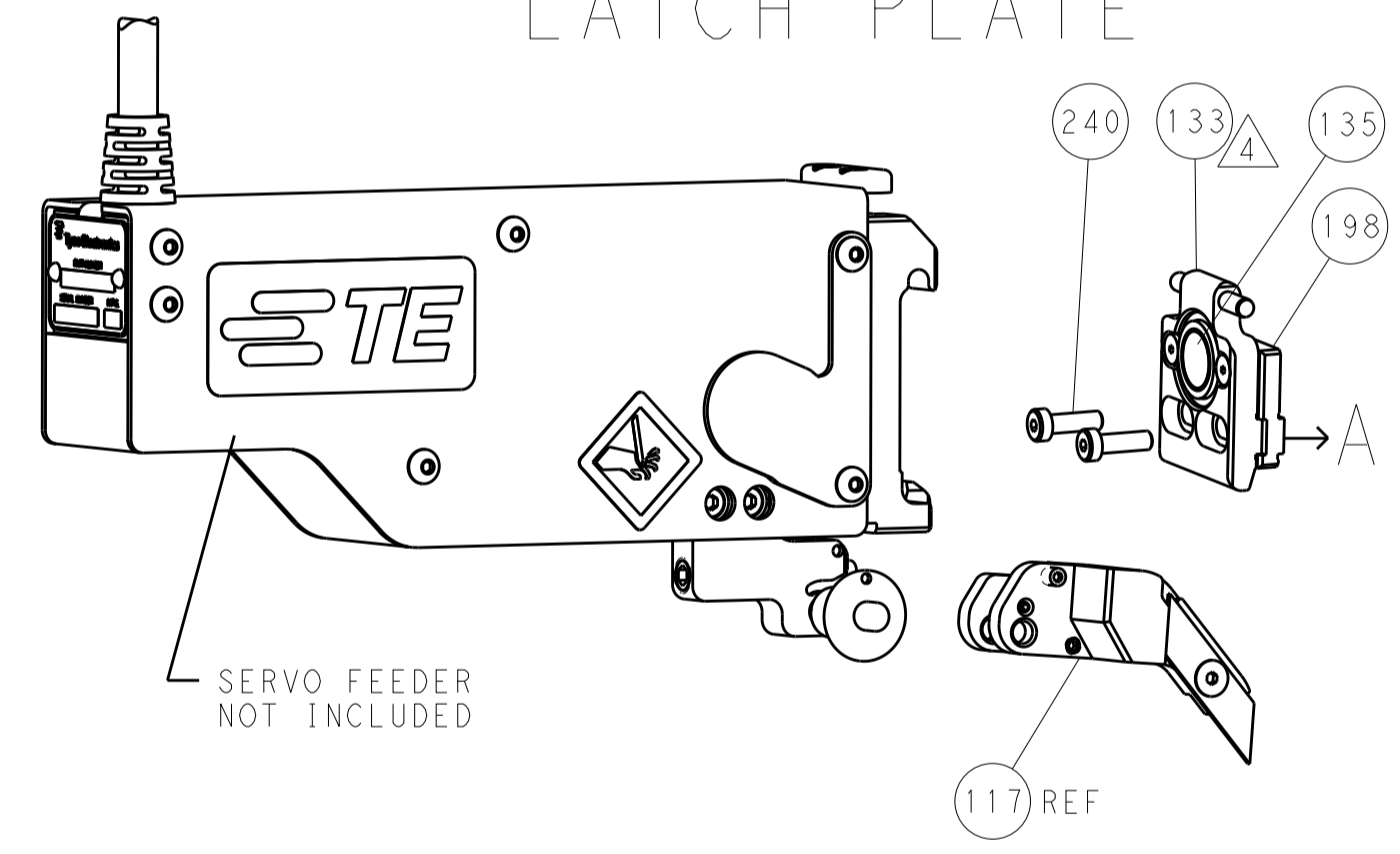
DIMENSIONS:		TOLERANCES UNLESS OTHERWISE SPECIFIED:		OWN	CHK	APVD	DATE	NAME	PRODUCT SPEC	APPLICATION SPEC	SIZE	CAGE CODE	DRAWING NO	RESTRICTED TO			
mm	0 PLC ±0.1	1 PLC ±0.02	2 PLC ±0.005	3 PLC ±0.0005	4 PLC ANGLES ±0.0005	FINISH					A1	00779	©=2151723				
Customer Accessible Production Drawing										SCALE	1:1	SHEET	3	OF	4	REV	A

LOC		DIST		REVISIONS			
A	66	P	LTH	DESCRIPTION	DATE	DWN	APVD
-	-	-	-	SEE SHEET 1	-	-	-

### FEED TYPE PNEUMATIC



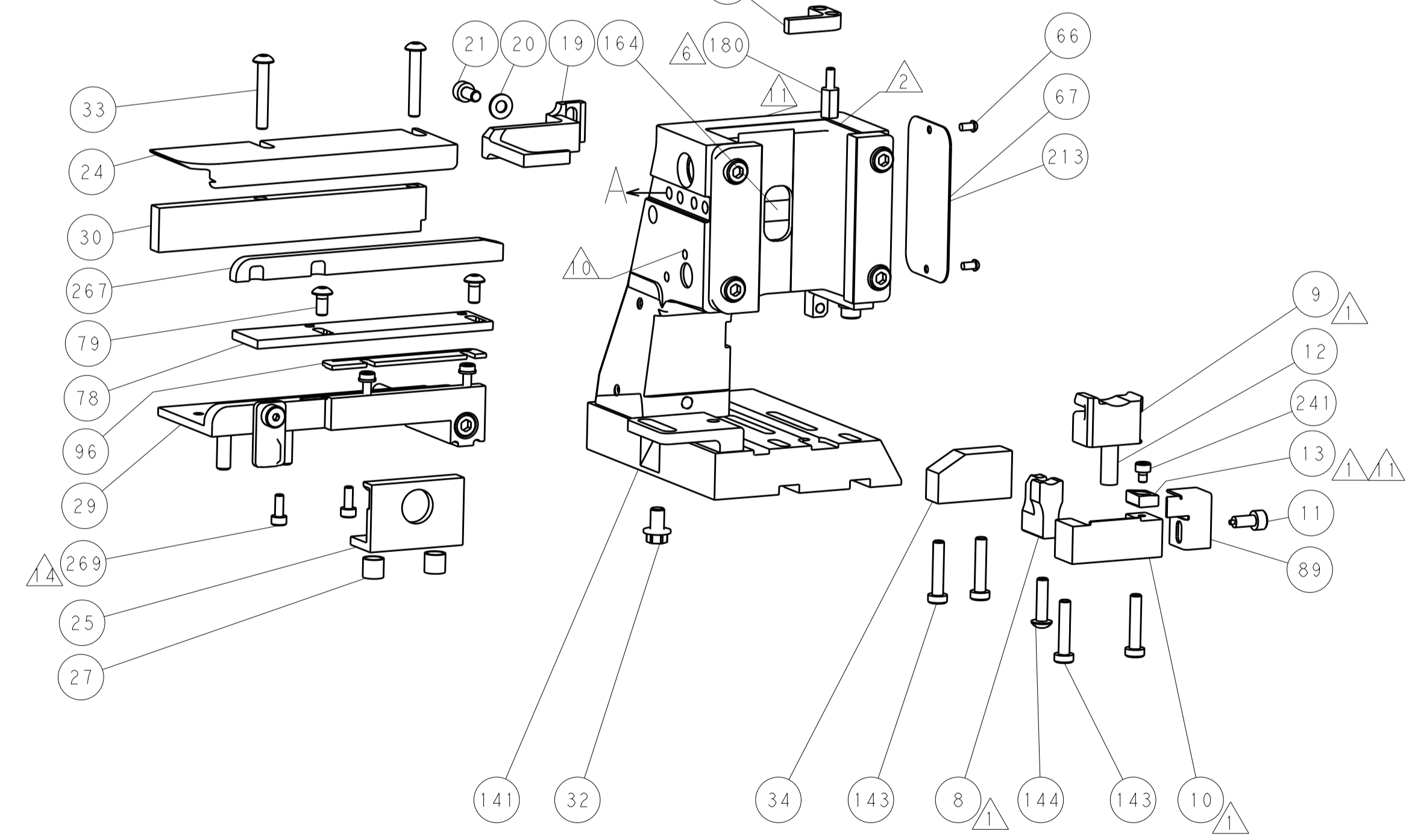
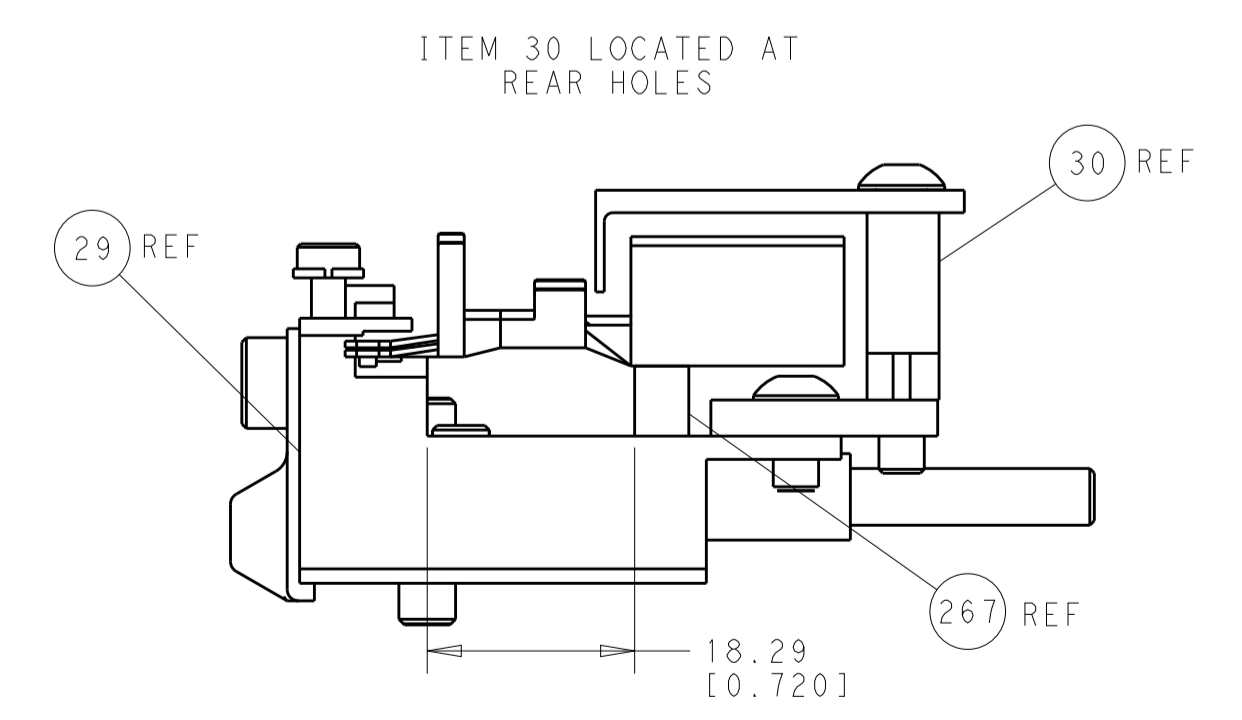
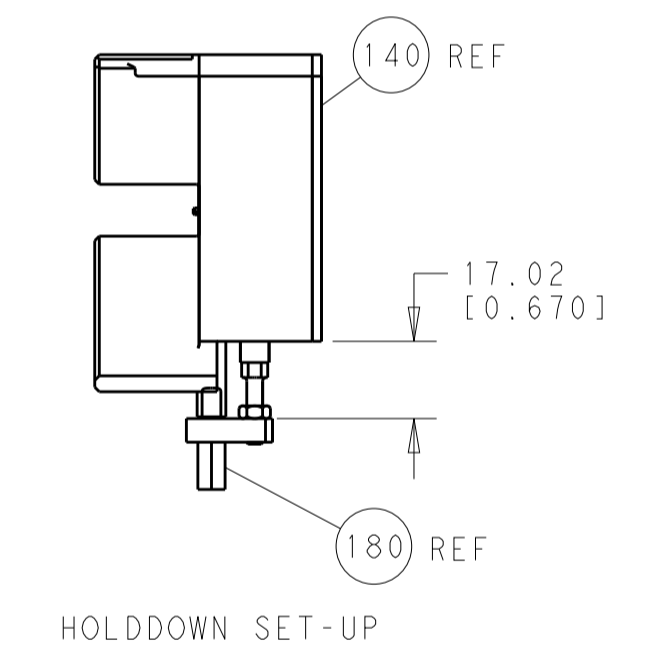
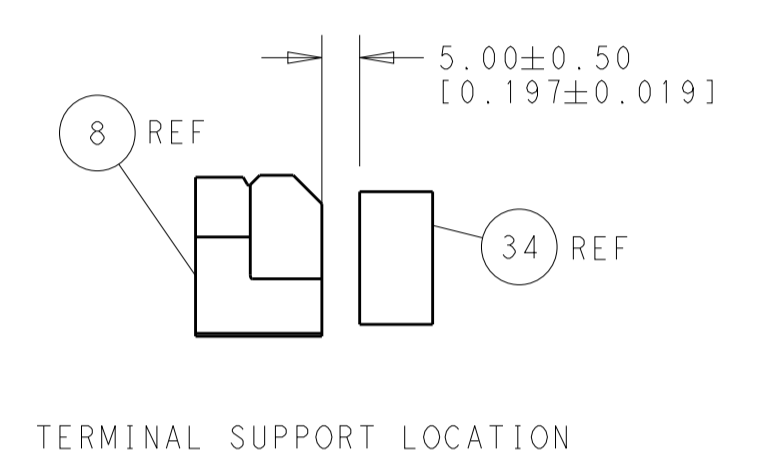
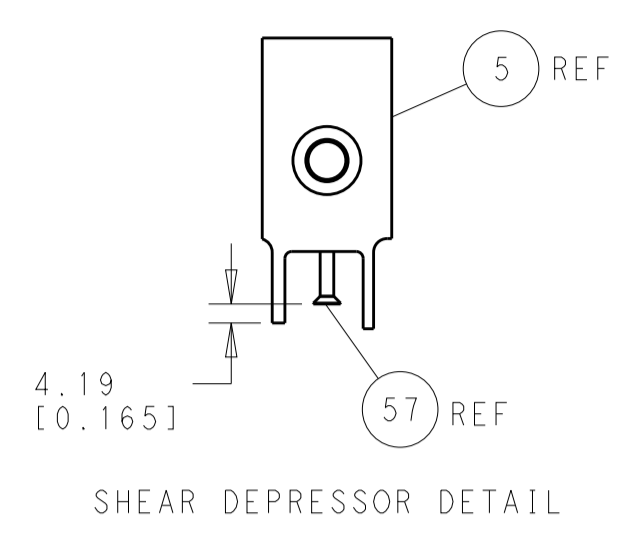
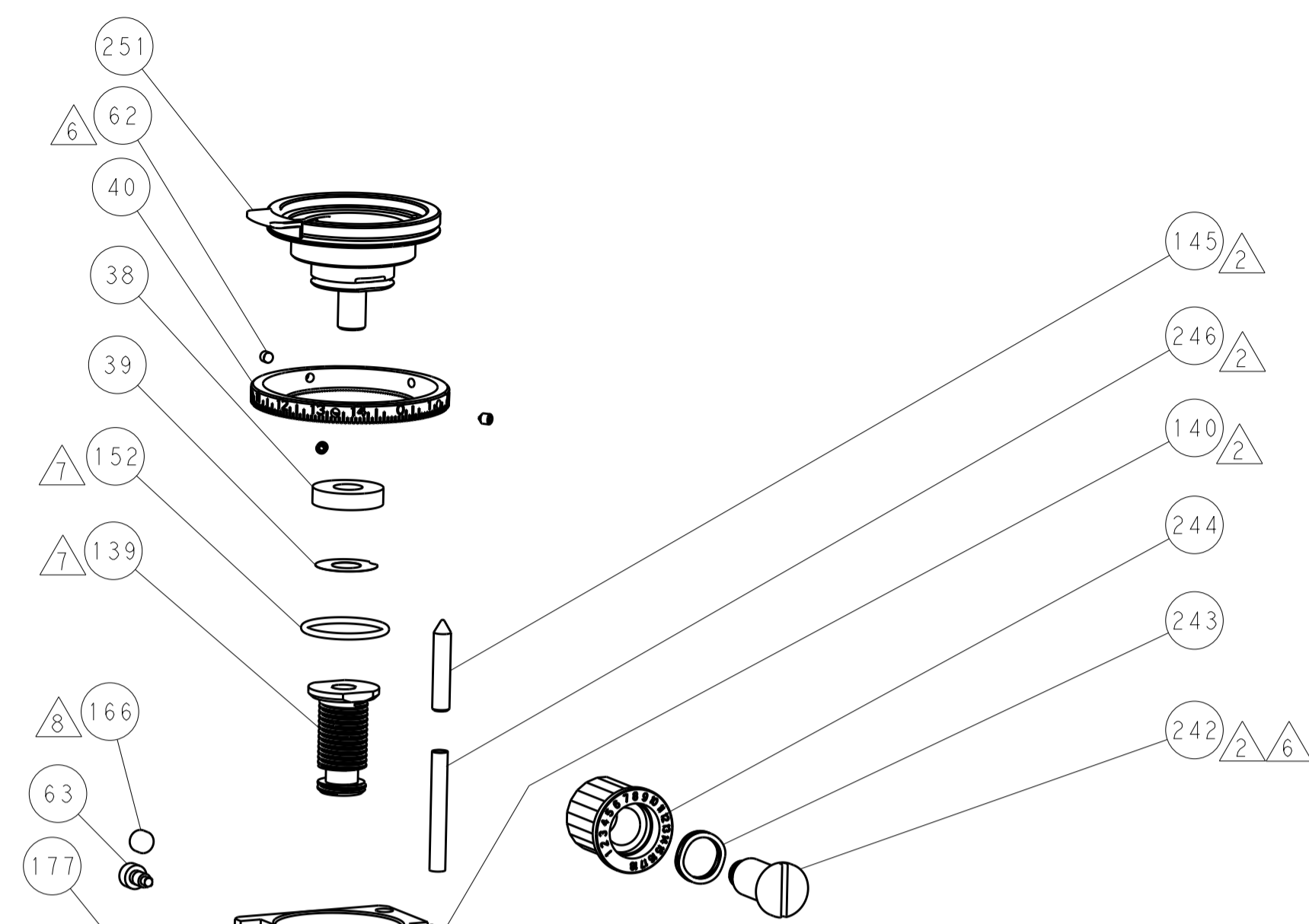
### SERVO LATCH PLATE



### CAM POSITION



AIR FEED



**PACIFIC VERSION**  
 Shown on sheets 3 of 4 & 4 of 4  
 (Atlantic version shown on sheets 1 of 4 & 2 of 4)

DIMENSIONS:		TOLERANCES UNLESS OTHERWISE SPECIFIED:		DWN	01JAN2012	TE Connectivity Harrisburg, PA 17105-3608
mm	0 PLC ±0.1	1 PLC ±0.1	2 PLC ±0.02	CHK	01JAN2012	
	3 PLC ±0.005	4 PLC ±0.0005	ANGLES ±0.0005	APVD	01JAN2012	NAME
MATERIAL	FINISH			PRODUCT SPEC		Ocean Side Feed Applicator
				APPLICATION SPEC		
				WEIGHT	A1 00779	SIZE
				Customer Accessible Production Drawing		CAGE CODE
				SCALE		DRAWING NO
				1:1		©=2151723
				SHEET		RESTRICTED TO
				4 OF 4		REV
				A		A