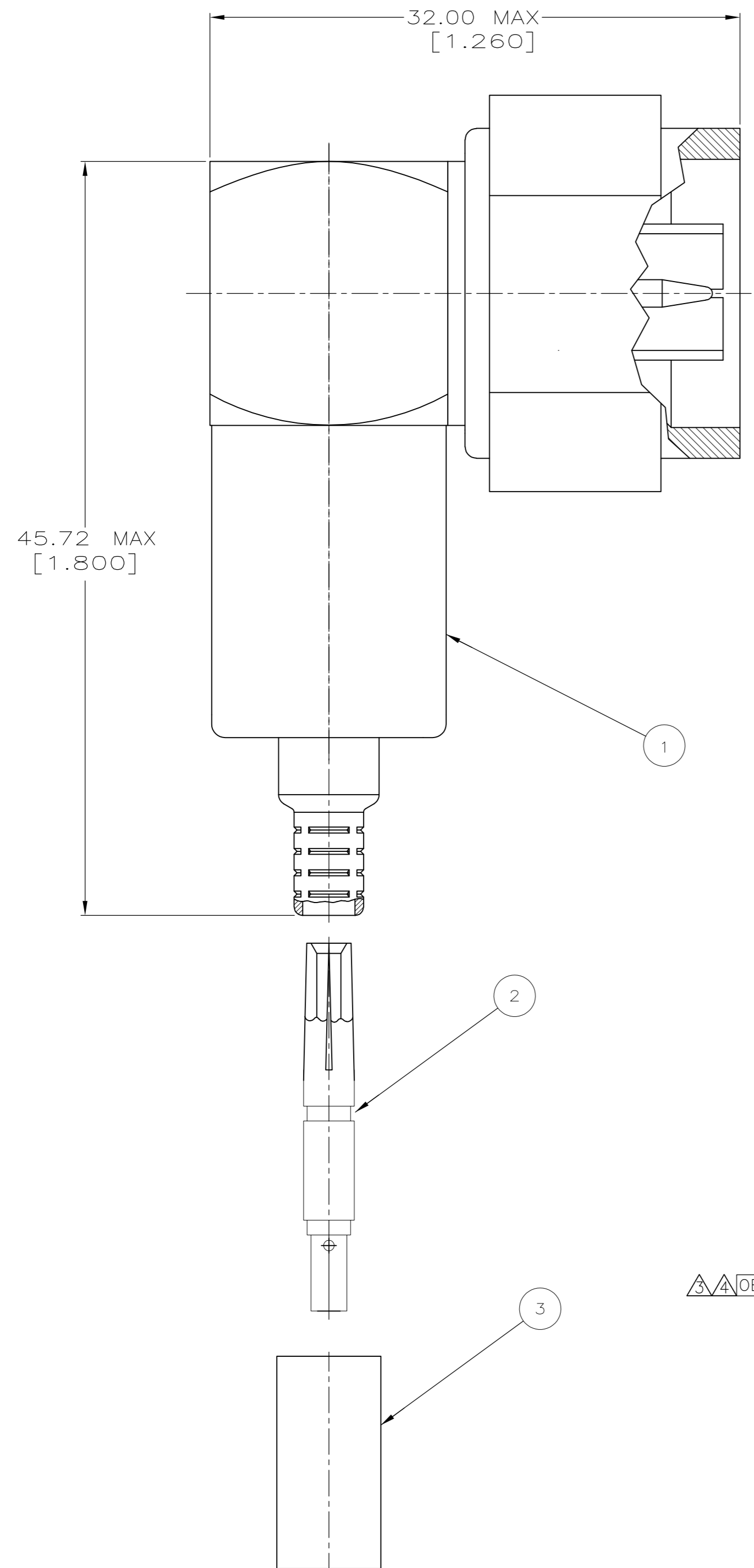
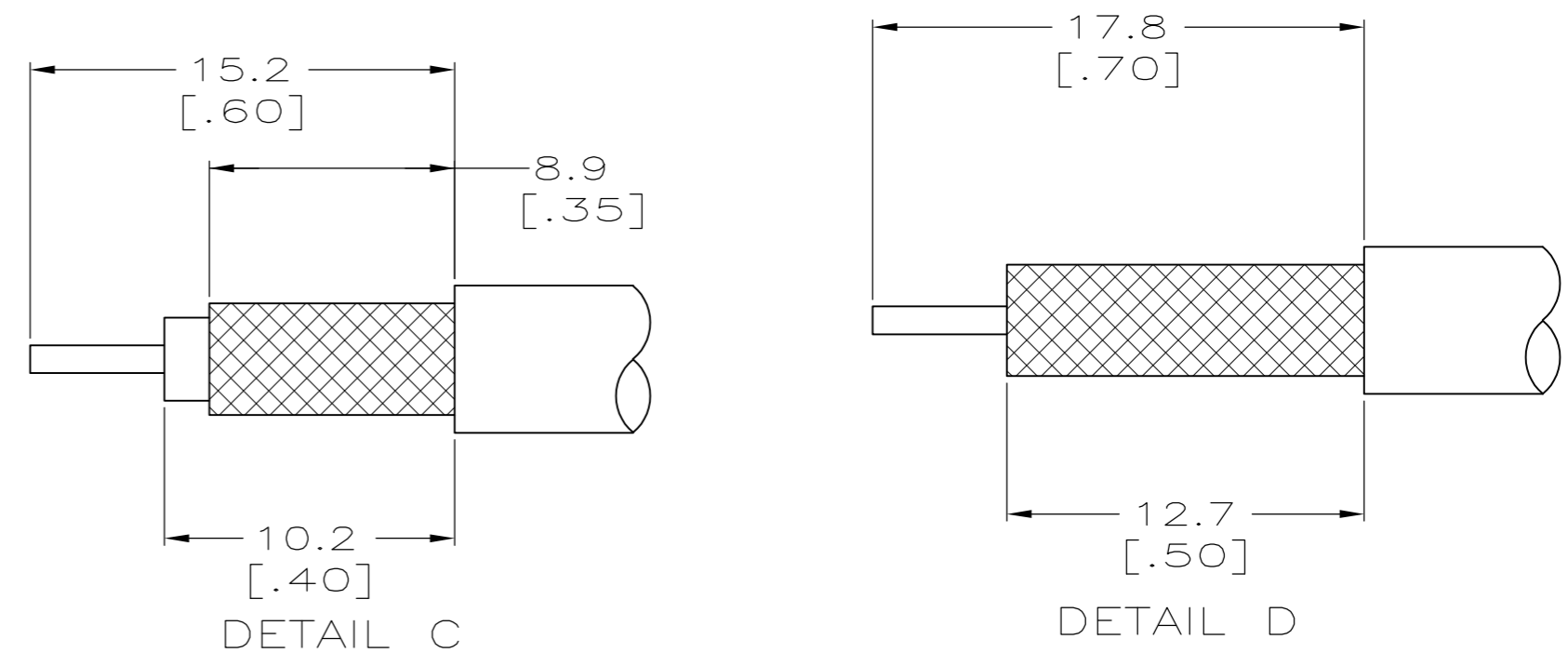


THIS DRAWING IS UNPUBLISHED. RELEASED FOR PUBLICATION  
 © COPYRIGHT BY TYCO ELECTRONICS CORPORATION. ALL RIGHTS RESERVED.

LOC	DIST	REVISIONS					
		P	LTR	DESCRIPTION	DATE	DWN	APVD
AJ	16	0		REV PER EC-0S14-0496-04	01FEB2005	GA	GM
		01		REVISED PER ECO-09-024927	04NOV09	KK	AEG



- 1. FOR USE WITH AMP PRO-CRIMPER II HAND TOOL, PART # 354940-1, OR WITH THE 626 SERIES PNEUMATIC TOOL WITH ADAPTER #679304-1
- ⚠ REQUIRES PRO-CRIMPER II DIE SET PART # 58436-1. FOR CONTACT AND BRAID TERMINATION.
- ⚠ REQUIRES PRO-CRIMPER II DIE SET PART # 58485-1. FOR CONTACT AND BRAID TERMINATION.
- ⚠ OBSOLETE PARTS: OBSOLETE CIS STREAMLINING PER D.RENAUD/D.SINISI



RECOMMENDED STRIP LENGTHS

⚠⚠ OBSOLETE	RG-9/U & 214/U	CONTACT: .100, BRAID: .429	DETAIL D	9-221132-5	415247-4	415256-2	-5415255-4-
	RG-58/AU & 58C/U	CONTACT: .068, BRAID: .213	DETAIL C	9-221132-0	415246-4	415256-1	5415255-1
	CABLE	HEX CRIMP HEIGHTS IN INCHES	STRIP LENGTH	③ FERRULE QTY=1	② CONTACT QTY=1	① PLUG ASSY QTY=1	PART NUMBER

THIS DRAWING IS A CONTROLLED DOCUMENT.

DWN G. ATTADIA - DOCK5 01FEB2005	01FEB2005	Tyco Electronics Corporation Harrisburg, PA 17105-3608
CHK J. HAVENER 01FEB2005	01FEB2005	
APVD G. MICHAEL 01FEB2005	NAME	PLUG, RIGHT ANGLE, SERIES N
PRODUCT SPEC		
APPLICATION SPEC		SIZE
WEIGHT		CAGE CODE
CUSTOMER DRAWING		DRAWING NO
		RESTRICTED TO
		SCALE
		SHEET
		OF
		REV