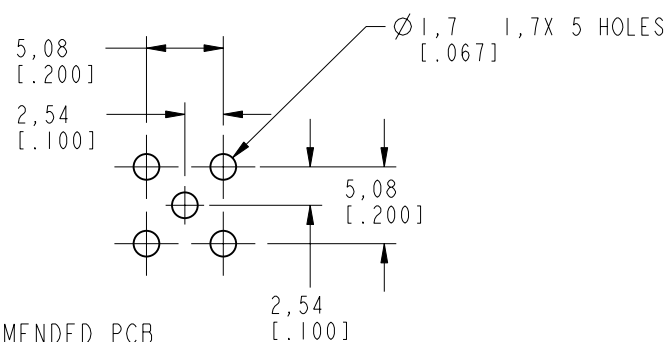
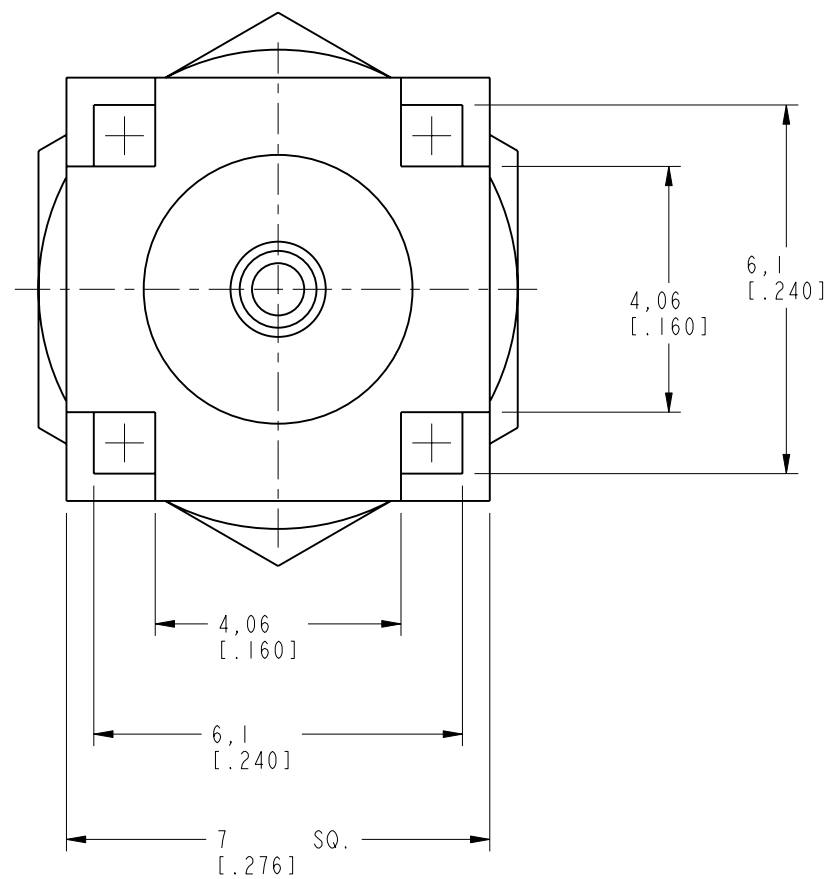
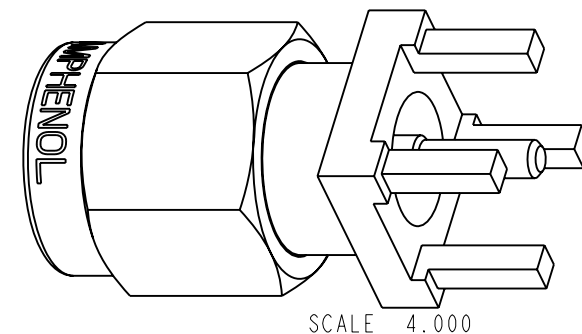
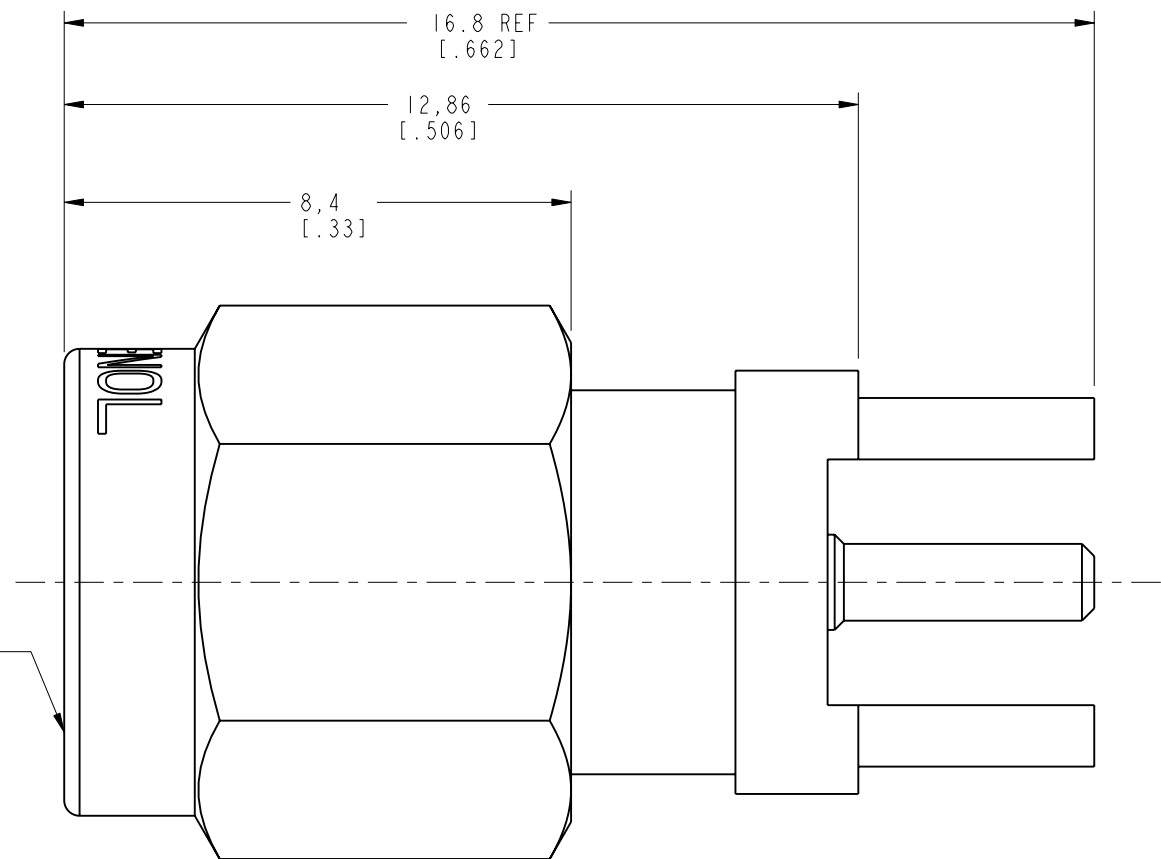


NOTES:

- 1. MATERIALS OF CONSTRUCTION:  
 BODY, RING & SHELL = BRASS, GOLD PLATED  
 CONTACT PIN = BRASS, GOLD PLATED  
 RETAINER RING = BeCu, NATURAL  
 INSULATORS (2) = TEFLON, PER MIL-P-19468  
 GASKET = SILICONE RUBBER, COLOR RED

901-9895-RFX		REVISIONS			
DRAWING NO.	REV	DESCRIPTION	DATE	ECO	APPR
THIRD ANGLE PROJ.	A	RELEASE TO MFG.	1/25/01	43650	CPM
	B	CHGE Ø HOLES FROM 4 TO 5 OF .067	6/21/07	46595	TC



RECOMMENDED PCB MOUNTING HOLE SCALE 2.000

**CUSTOMER OUTLINE DRAWING**

ALL OTHER SHEETS ARE FOR INTERNAL USE ONLY

UNLESS OTHERWISE SPECIFIED, DIMENSIONS ARE IN MM (INCHES) AND TOLERANCES ARE:  
 0.5 - 6mm ±0.2mm      6 - 30mm ±0.4mm      30 - 120mm ±0.6mm

NOTICE - These drawings, specifications, or other data (1) are, and remain the property of Amphenol Corp. (2) must be returned upon request; and (3) are confidential and not to be disclosed to any person other than those to whom they are given by Amphenol Corp. The furnishing of these drawings, specifications, or other data by Amphenol Corp., or to any other person to anyone for any purpose is not to be regarded by implication or otherwise in any manner licensing, granting rights or permitting such holder or any other person to manufacture, use or sell any product, process or design, patented or otherwise, that may in any way be related to or disclosed by said drawings, specifications, or other data.

MATERIAL	DRAWN	DATE	TITLE
REFERENCE EAR 967689-0 GEN# 910-144-8RFX_ASSY	C. McGRATH	1/10/01	SMA PCB MOUNT PLUG
	ENGINEER	DATE	
	O. BARTHELMES	1/10/01	
	APPROVED	DATE	
	O. BARTHELMES	1/25/01	
	CAD FILE	CODE ID	DWG SIZE
	I:\SMA\ 901-9895-RFX	74868	B

DRAWN	DATE	TITLE
C. McGRATH	1/10/01	SMA PCB MOUNT PLUG
ENGINEER	DATE	
O. BARTHELMES	1/10/01	
APPROVED	DATE	
O. BARTHELMES	1/25/01	
CAD FILE	CODE ID	DWG SIZE
I:\SMA\ 901-9895-RFX	74868	B

DRAWING NO.	SCALE: 8.0:1	SHEET
901-9895-RFX		2 OF 2

Amphenol Amphenol Corporation Communication and Network Products Division Danbury, CT U.S.A. 06810	
SCALE: 8.0:1	SHEET 2 OF 2
DRAWING NO.	REV
901-9895-RFX	B