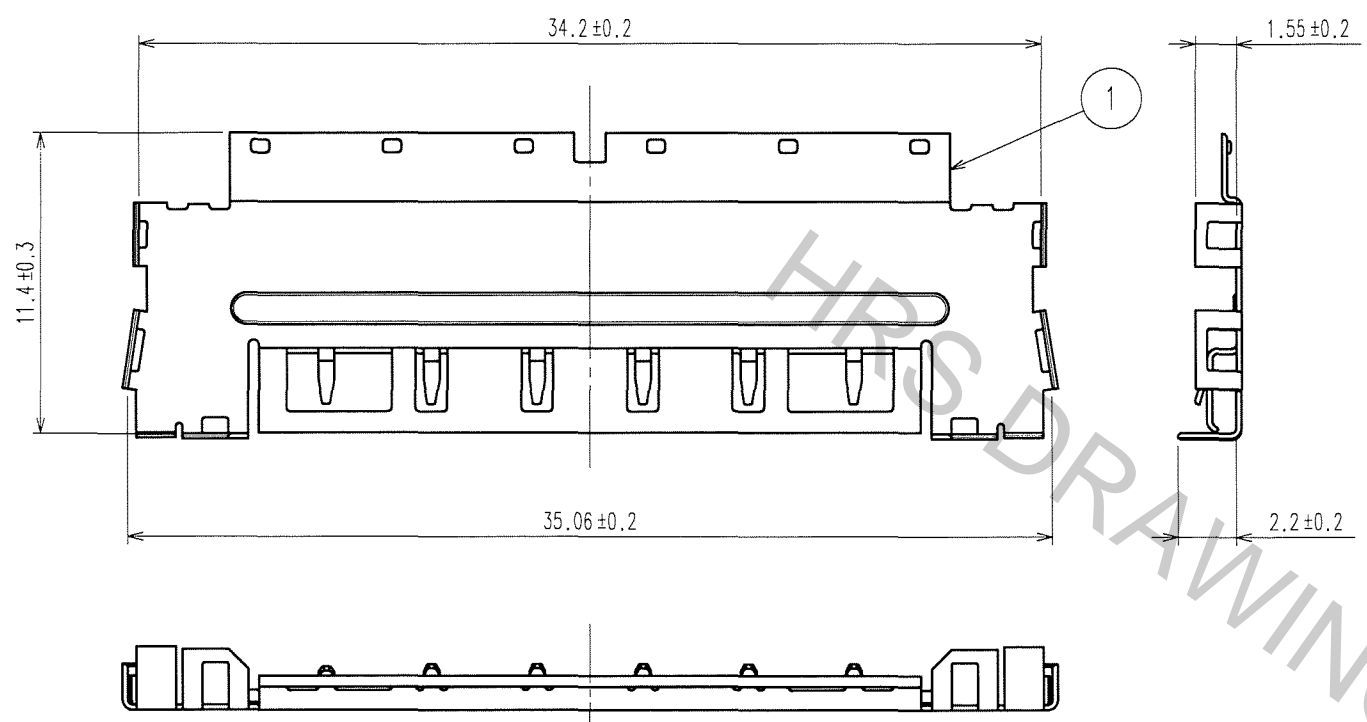
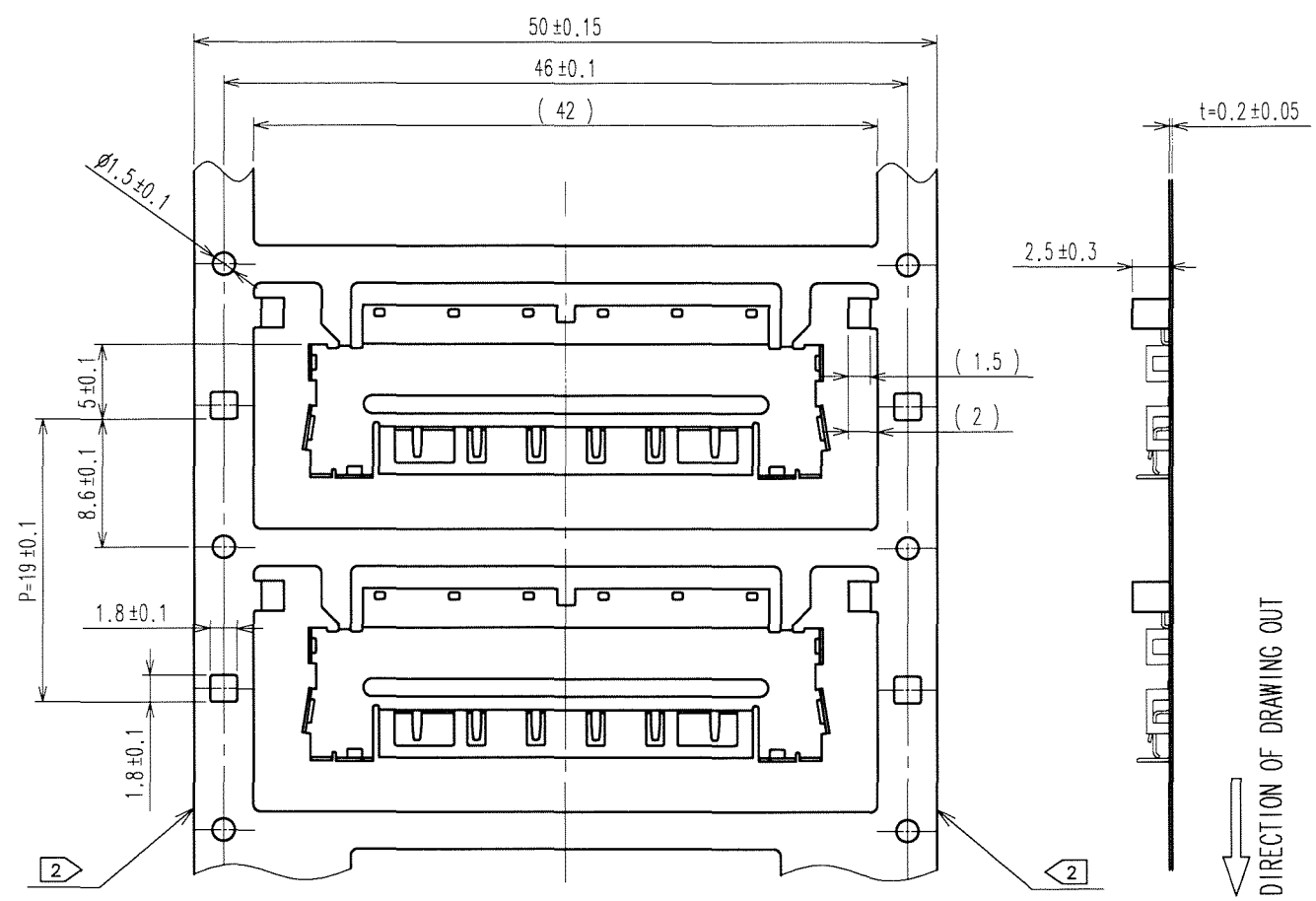


Apr.1.2017 Copyright 2017 HIROSE ELECTRIC CO., LTD. All Rights Reserved.

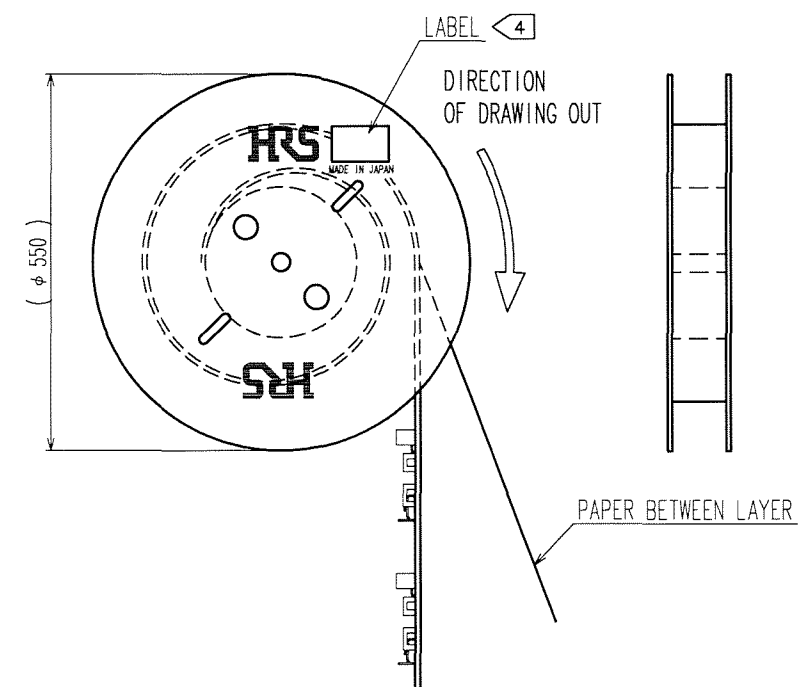
△																				
△																				
△																				



DETAILED FIGURE OF CAREER ( 2 : 1 )



DETAILED FIGURE OF REEL ( FREE )



- NOTE 1. Manufacturing process could leave scratch and/or punch marks having no affect on the product performance.  
 2. Side cut can be provided to prevent carrier curve.  
 3. 2500 pieces per reel  
 4. Label as shown below is indicated.

<b>HRS</b>		INSPECTION 検査
CODE No. 品名コード	CL575-2119-8	
PART NO. 品名	FX15S-51P-GND(A)	
QTY 数量	2,500 PCS	
PECULIAR 仕様	NPO.3	
Lot No		
SPLICE 継ぎ目		

5. Dimensions in ( ) are for reference.  
 6. This is a component for separately available product; FX15S-51P-0.5FC.  
 Make sure to use with the specified combination.

NO.	MATERIAL	FINISH, REMARKS	1	STAINLESS	NICKEL 0.3μ m min	
CODE NO. (OLD) CL			DRAWN	DESIGNED	CHECKED	
			K.SHIBUYA	K. Shibuya	H. Yamaguchi	
			08.01.29	08.01.29	08.01.29	
					H. Okawa	
SCALE FREE	DRAWING NO. EDC3-156691	PART NO. FX15S-51P-GND(A)				
UNITS mm	<b>HRS</b> HIROSE ELECTRIC CO., LTD	CODE NO. CL575-2119-8	1/1			

TO