

BS,C ,201843,915 D

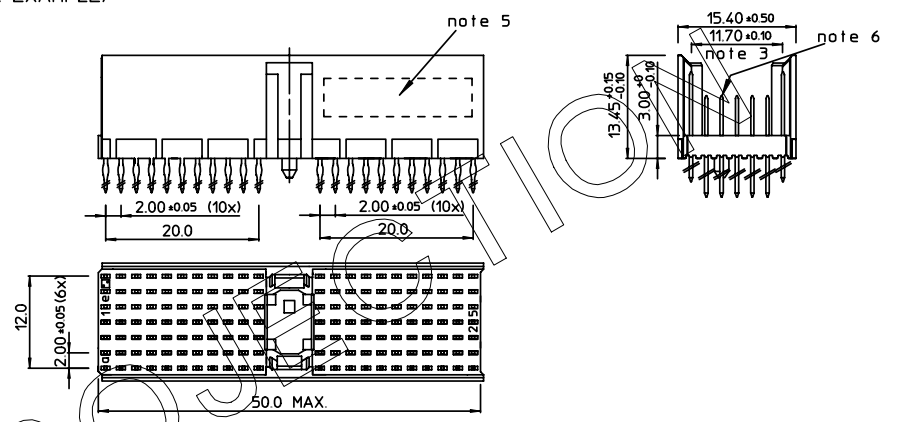
GEN. ST.	01	02	03	04	05	06	07	08	0D	50	60	70	80	90																	
INT. ST.	10	11	12	13	14	18	20	31	32	33	34	38	39	40	42	43	44	45	46	48	56	70	72	73	75	76	81	82	83	84	88

REV.	DATE	DESCRIPTION	BY	C'K'D'
A	2001-09-14	CONVERSION REVISION 02	KN	
B	2002-05-28	EC B20086	MF	
C	2005-09-22	105-0168	VIVEK	BKP
D	2006-08-02	106-0118	VIVEK	BKP

LOADING PATTERN MATING SIDE

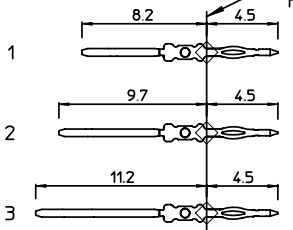
f	3	3	3	3	3	3	3	3	3	3																												
e	1	1	1	1	1	1	1	1	1	1															1	1	1	1	1	2	2	2	2	2	2			
d	1	1	1	1	1	1	1	1	1	1															1	1	1	1	1	2	2	2	2	2	2			
c	1	1	1	1	1	1	1	1	1	1															1	1	1	1	1	2	2	2	2	2	2			
b	1	1	1	1	1	1	1	1	1	1															1	1	1	1	1	2	2	2	2	2	2			
a	1	1	1	1	1	1	1	1	1	1															1	1	1	1	1	2	2	2	2	2	2			
z	3	3	3	3	3	3	3	3	3	3															3	3	3	3	0	0	0	0	0	0	0			
POS	01						05																															

LOADED CONNECTOR ASSEMBLY (FOR EXAMPLE)

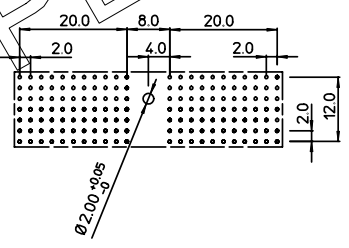


SHEET NR. : 998

CONTACT OVERVIEW SEATING PLANE FOR CONNECTOR



LAY-OUT P.C.B.-HOLE



LEAD FREE INDICATOR : LF = LEAD FREE (DIGIT 15 & 16)

HM2P--P-----

PLATING CODE (DIGIT 13 AND 14) (REF DWG No. BS,C ,201844,003)

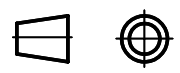
NOTES:

1. THIS PRODUCT IS CSA APPROVED.
2. THIS PRODUCT IS UL RECOGNIZED.
3. MEASURED AT THE BOTTOM.
4. MATERIAL CONTACT: PHOSPHORBRONZE
HOUSING: CREAM WHITE GLASSFILLED POLYESTER UL-94V0
5. CONNECTOR PRINTED WITH P/N AND DATE CODE.
6. FOR ACTUAL CONTACT LOADINGS, SEE LOADING PATTERN MATING SIDE.
7. SHAPE OF CONNECTOR HOUSING CAN ALTER DEPENDING ON PRODUCTION LOCATION.
8. THE PRODUCT (LF) MEETS EUROPEAN UNION DIRECTIVES AND OTHER COUNTRY REGULATIONS AS DESCRIBED IN GS-22-008
9. FOR RECOMMENDED PTH DIMENSIONS REFER DRAWING : BS,A ,201572,001

THIS IS OUR EXCLUSIVE PROPERTY. IT IS NOT TO BE COPIED, REPRODUCED, OVERREPRODUCED OR DISCLOSED TO A THIRD PARTY, NOR USED FOR MANUFACTURING WITHOUT OUR WRITTEN CONSENT, AND HAS TO BE RETURNED TO US IN CASE OF NO USAGE

DIT IS ONZE EIGENDOM EN MAG NIET NAGEMAAKT, HERPRODUKT, OVERNEMAAKT ANN REPRODUCED, NIET VOOR FABRIKATIE GEBRUIKT WORDEN, ZONDER ONZE SCHRIFTELIJKE TOELATING. BIJ NIET GEBRUIK IS TERUGZENDING VERPLICHT.

1DEC ±0,2	2DEC ±0,1	ANGLES ±1°	APPR.	DATE	SIGN.	LOADING PATTERN OVERVIEW
			DRAFT	2000-01-31	G.Nys	CAT. No. HM2P07PCH185----
			CHECKED			
WE RESERVE THE RIGHT TO CHANGE DIMENSIONS ON REQUIREMENTS WITHOUT PRIOR NOTICE.			PROD. MGR.			www.fciconnect.com
			PR. ENG. MGR.			
ALL DIMENSIONS IN MM			PR.MGT.MGR.			SCALE



REFERENCES

BS,C ,201843,915 D
DRAWING No. CUSTOMER DRAWING REVISION