

DATE

REVISIONS

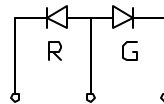
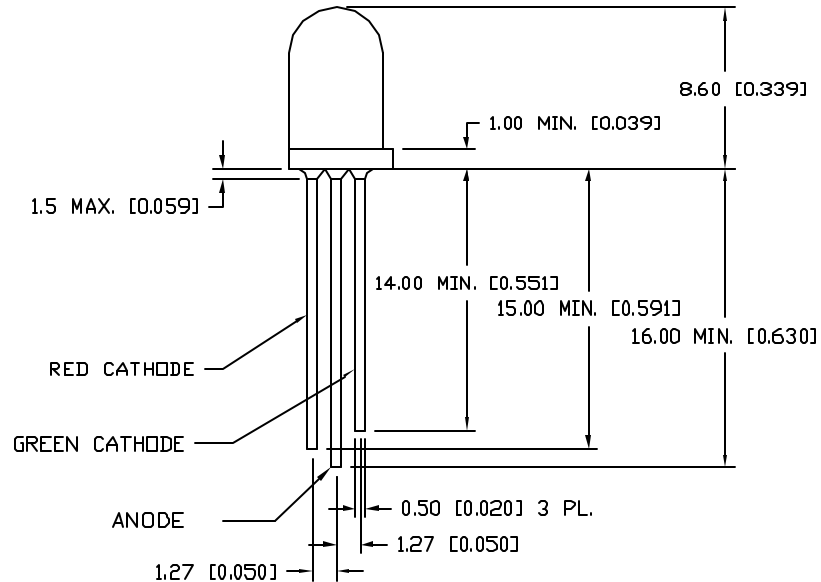
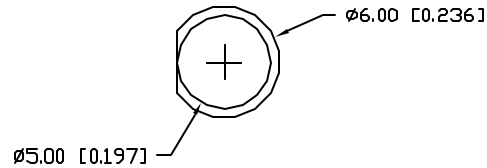
REV

DRAWING NUMBER  
SSL-LX5097IGW-CA

REV

ELECTRO-OPTICAL CHARACTERISTICS  $T_A = -25^\circ\text{C}$   $I_f = 20\text{mA}$ 

PARAMETER	MIN	TYP	MAX	UNITS	TEST COND
PEAK WAVELENGTH		635 (RED) 565 (GREEN)		nm	
FORWARD VOLTAGE (R/G)		2.1	2.8	$V_f$	
REVERSE VOLTAGE	5.0			$V_r$	$I_f = 100\ \mu\text{A}$
AXIAL INTENSITY (R/G)		20		mcd	$I_f = 20\text{mA}$
VIEWING ANGLE		60		2x theta	
EMITTED COLOR		RED/GREEN			
EPOXY LENS FINISH		MILKY WHITE DIFFUSED			

LIMITS OF SAFE OPERATION AT  $25^\circ\text{C}$ 

PARAMETER	MAX	UNITS
PEAK FORWARD CURRENT*(R/G)	160	mA
STEADY CURRENT (R/G)	30/25	mA
POWER DISSIPATION (R/G)	100	mW
DERATE FROM $25^\circ\text{C}$	-1.2	mW/ $^\circ\text{C}$
OPERATING, STORAGE TEMP	-40 TO +85	$^\circ\text{C}$
LEAD SOLDERING TEMP	+260	$^\circ\text{C}$
2.0mm FROM BODY		3 SEC. MAX

\*  $t < 10\ \mu\text{s}$ 

RELIABILITY NOTE  
OUR MANY YEARS OF EXPERIENCE DATA ACCUMULATION INDICATE THAT SOLDER HEAT IS A MAJOR CAUSE OF EARLY AND FUTURE FAILURE. PLEASE PAY ATTENTION TO YOUR SOLDERING PROCESS.

**LUMEX**  
OPTO COMPONENTS, INC.

292 E. HELLEN ROAD  
PALATINE, ILLINOIS 60067  
(708) 359-2790

CONFIDENTIAL INFORMATION  
THE INFORMATION CONTAINED IN THIS DOCUMENT IS THE PROPERTY OF LUMEX OPTO/COMPONENTS, INC. EXCEPT AS SPECIFICALLY AUTHORIZED IN WRITING BY LUMEX OPTO/COMPONENTS, INC., THE HOLDER OF THIS DOCUMENT SHALL KEEP ALL INFORMATION CONTAINED HEREIN CONFIDENTIAL AND SHALL PROTECT SAME IN WHOLE OR IN PART FROM DISCLOSURE AND DISSEMINATION TO ALL THIRD PARTIES.

DATE: 4-28-96	DWN:	CHK'D:	APPD:
SCALE: N/A			

T-5 (T-1 3/4) LED, BICOLOR RED/GREEN,  
MILKY WHITE DIFFUSED, .05" LEAD CENTERS, COMMON ANODE

PAGE 1 OF 1

DRAWING NUMBER  
SSL-LX5097IGW-CA

REV