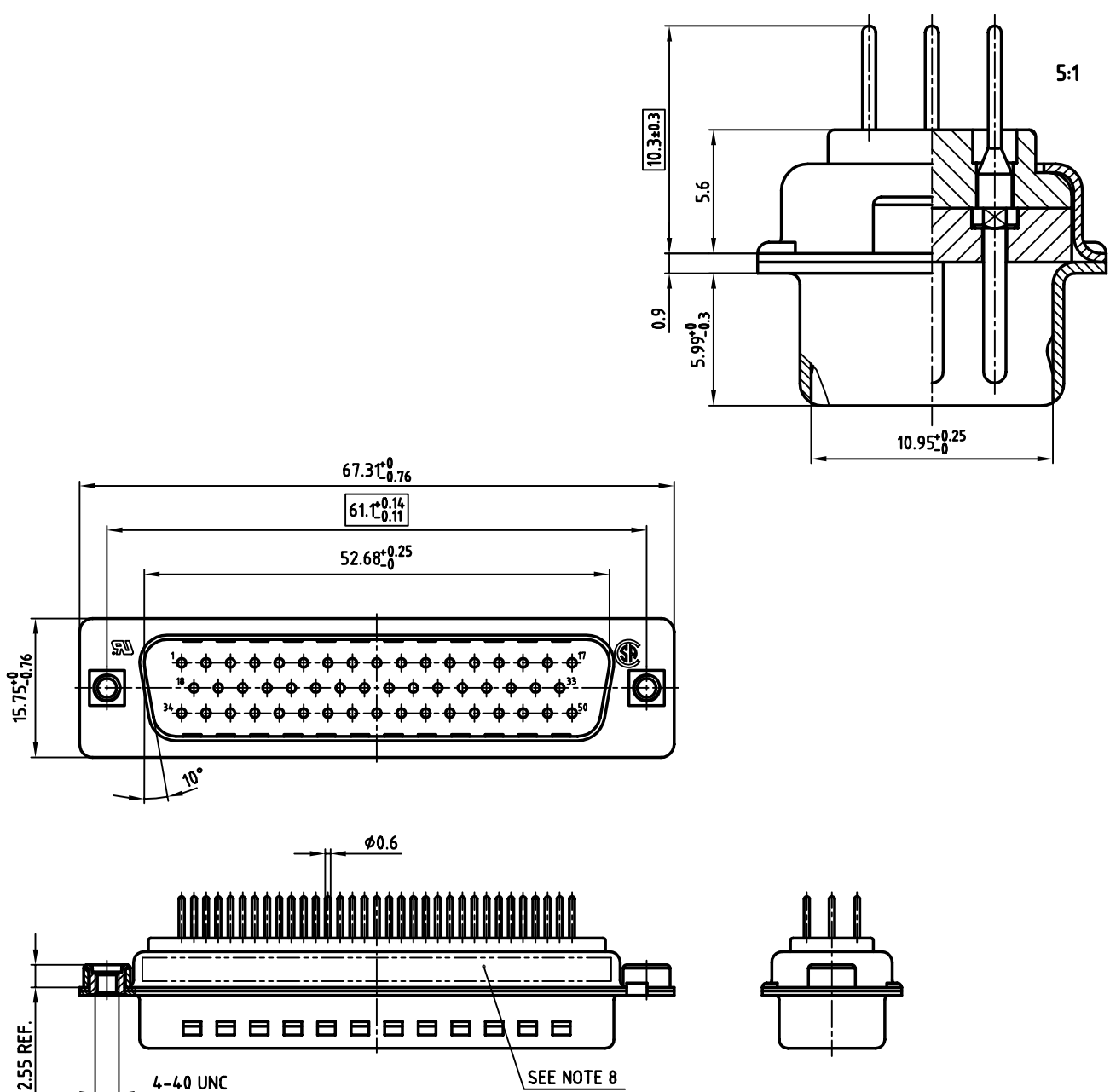


used for: D-SUB



NOTES:

1. METALSHELLS: STEEL; min. 320µ" TIN
2. INSULATORS: PBT GF UL 94 V-0, BLACK
3. CONTACTS: COPPER ALLOY
PLATING: min. 8µ" HARD GOLD OVER min. 50µ" NICKEL
4. THREADED INSERT: COPPER ALLOY; min. 200µ" TIN over 80µ" NICKEL
5. COLLAR: COPPER ALLOY; min. 200µ" TIN over 80µ" NICKEL
6. P.C.B. HOLE DRILLINGS ON DRAWING NO.: 16K11UIA
7. MAXIMUM TORQUE VALUE FOR THREAD: 6" LBS
8. CONNECTOR IS PART MARKED: 163A11409X CONEC Y/WW
9. = CRITICAL DIMENSION

Directive 2002/95/EC
"RoHS"
Compliant

APPROVAL # FREIGABE # DEBLOCAGE # AUTORIZACION # APPROVAL	APPROVAL # FREIGABE # DEBLOCAGE # AUTORIZACION # APPROVAL
CUSTOMER APPROVAL DATE:	
NAME:	TITLE:
COMPANY NAME:	
APPROVAL # FREIGABE # DEBLOCAGE # AUTORIZACION # APPROVAL	

THIS DRAWING MAY NOT BE COPIED OR REPRODUCED IN ANY WAY, AND MAY NOT BE PASSED ON TO A THIRD PARTY, WITHOUT WRITTEN PERMISSION. OWNERSHIP AND COPYRIGHT OF CONEC GmbH DO NOT ALTER CAD DRAWING BY HAND

rev.	description	date	name

tolerance			
2002	date	name	
drawn	28.06.	Parei	scale: 2:1 (5:1) material: SEE NOTES title: D-SUB MALE 50pos. SOLDER PIN STRAIGHT with threaded insert dwg no: AutoCAD 2000 16K1A697 part no: 163A11409X
appd.	28.06.	E. Mickenbecker	
norm	DIN 41652		
d-old			
			DIN-A 3 sh: 1/1

scale: 2:1 (5:1)	
material: SEE NOTES	
title: D-SUB MALE 50pos. SOLDER PIN STRAIGHT with threaded insert	
dwg no: AutoCAD 2000	DIN-A
16K1A697	3
part no: 163A11409X	sh: 1/1