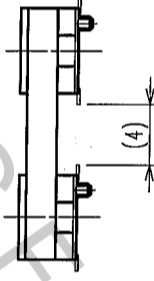
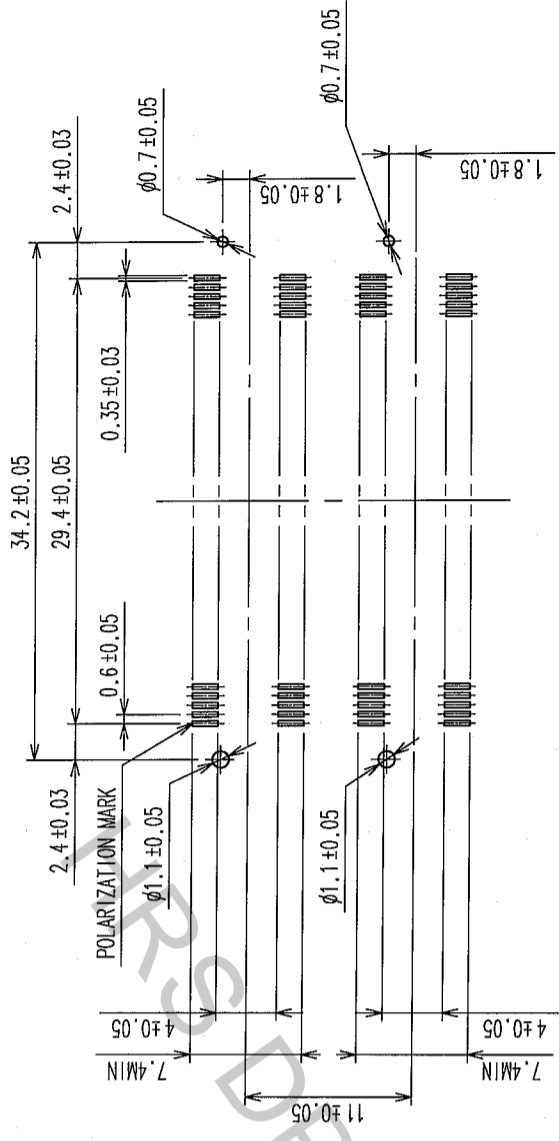
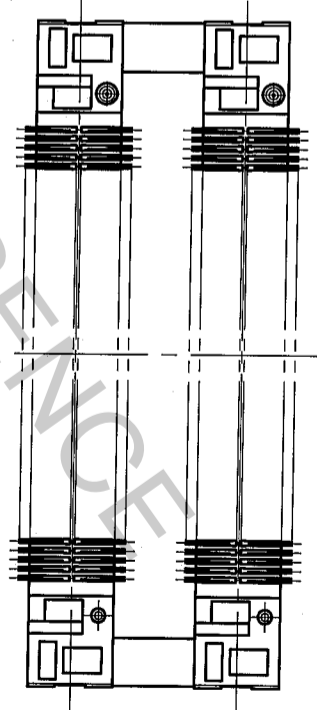


RECOMMENDED LAND PATTERN DIMENSION
OF PCB (MOUNTING SIDE)



- NOTES
- 1 LEAD CO-PLANARITY SHALL BE 0.1mm MAX.
 - 2 AFTER MOUNTING BOARD, REF. NO.3 SHALL BE REMOVED.
 - 3 FOR MODIFICATION, ETC., PREVENTIVE HOLE FOR SINK MARK MAY BE ADDED DEPENDS ON CIRCUMSTANCES.
 - 4 THE DIMENSIONS IN PARENTHESES ARE FOR REFERENCE.

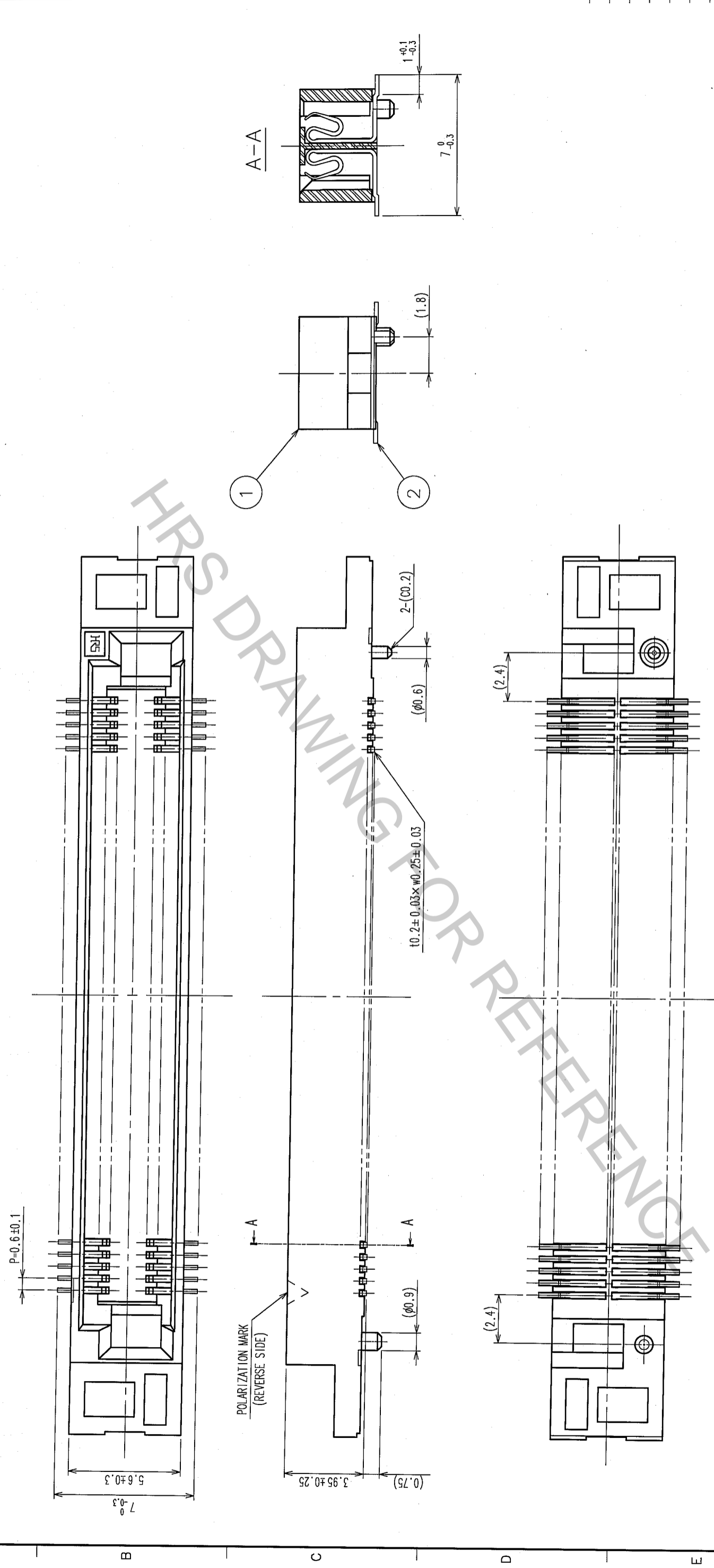


COUNT	DESCRIPTION OF REVISIONS	BY	CHKD	DATE	COUNT	DESCRIPTION OF REVISIONS	BY	CHKD	DATE

1, 3 PPS		LIGHT BROWN (UL94V-0)		2		PHOSPHOR BRONZE		CONTACT AREA: GOLD 0.1μm min LEAD AREA: GOLD FLASH UNDER PLATING: NICKEL 1.5μm min	
NO.	MATERIAL	FINISH, REMARKS	NO.	MATERIAL	FINISH, REMARKS	NO.	MATERIAL	FINISH, REMARKS	FINISH, REMARKS
CODE NO. (OLD) CL			DRAWN S. KAMIGA		DESIGNED N. Nakamura		CHECKED K. Ogawa		APPROVED H. Okawa
NO.			DRAWING NO. EDC3-150963-25		PART NO. FX8C-100/100S11-SVJ(71)		RELEASED		
SCALE 2:1			UNITS JMM		PART NO. FX8C-100/100S11-SVJ(71)		FINISH, REMARKS		

DETAIL AFTER REMOVING JOINT

COUNT	DESCRIPTION OF REVISIONS	BY	CHKD	DATE	COUNT	DESCRIPTION OF REVISIONS	BY	CHKD	DATE
△					△				
△					△				
△					△				



TO	
PCK	

NOTE THE DIMENSIONS IN PARENTHESES ARE FOR REFERENCE.

NO.		MATERIAL		FINISH, REMARKS		NO.		MATERIAL		FINISH, REMARKS	
CODE NO. (OLD)		CL									
DRAWN		S. KAMIGA		DESIGNED		N. Nishimura		CHECKED		Y. Ogawa	
DATE		06.01.20		DATE		06.01.23		DATE		06.01.23	
DRAWING NO.		EDC3-150963-25		PART NO.		FX8C-100/100S11-SVJ(71)		APPROVED		H. Kawa	
SCALE		5 : 1		CODE NO.		CL578-0905-8-71		RELEASED			
UNITS		mm		HIROSE ELECTRIC CO., LTD							