

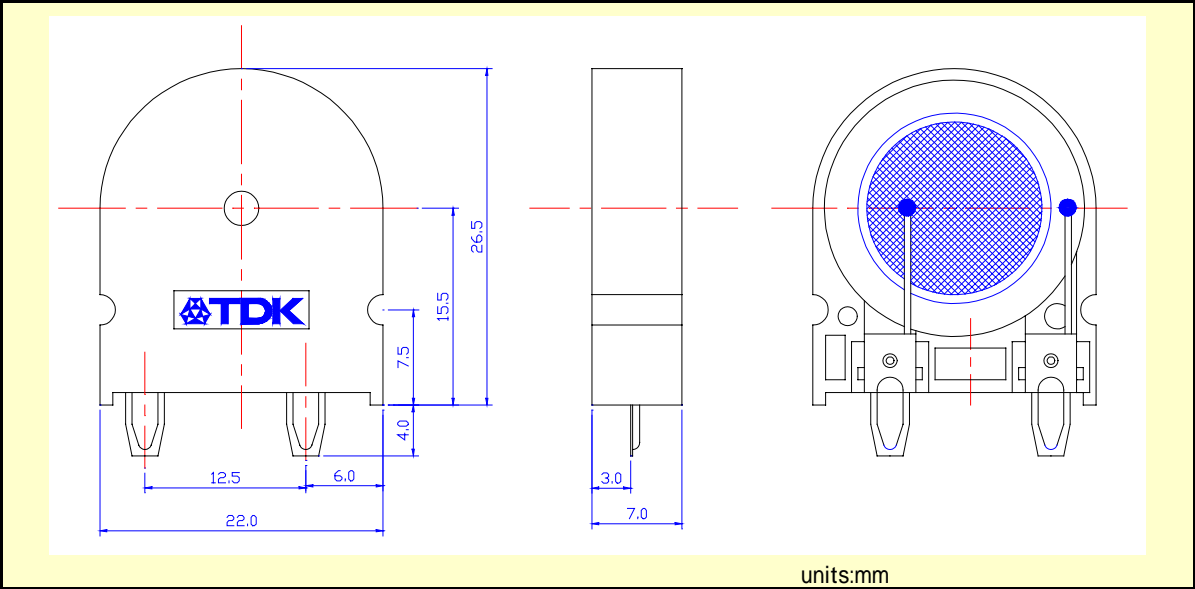
**VERTICAL 2KHz PIEZOELECTRIC SOUNDER  
PS2220P02**

**1 . Special Notes**

- 1) Green procurement (Lead-free) \*
- 2) Allows for minimal mounting space with vertical mounting

\*1): Does not include the piezo as RoHS

**2 . Product Dimensons**



**3 . Characteristics**

Sound pressure : 75dBA/10cm MIN  
 at 2.0kHz 3V<sub>0-P</sub> square wave  
 \*Measure conditions: Temperature 25 ± 5 , Humidity 60 ± 10%

**4 . MAX input Voltage**

20V<sub>0-P</sub> MAX  
 (But no DC bias)

**5 . Production plan**

Production date : Oct 2004 ~  
 packaging units MIN : 2100PCS  
 order units MIN : 2100PCS